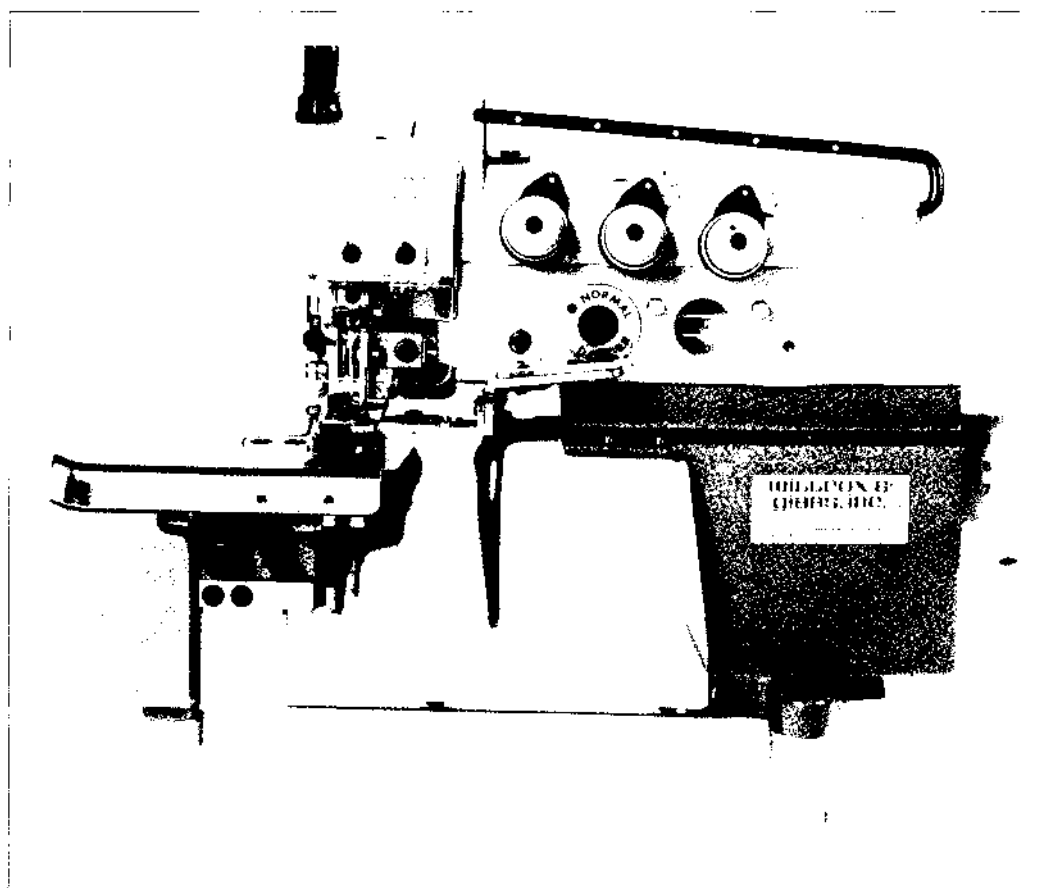


# **E**SERIES

**MODELS: E32. E52. E56.**

**FIFTH EDITION**



**WILCOX & GIBBS**

# INTRODUCTION

This parts catalog has been arranged in the following manner. It is based on the E series machines manufactured in January, 1983.

## 1 MECHANISM (Pages 2-43)

Each mechanism of the machine is shown here. Please note that the parts described in this section are for seaming machines having the same inner moving parts.

## 2 SPECIFIC PARTS (Pages 46-71)

In the E series, there are other machines than the above that use their own attachments or inner moving parts. The details of them are listed in this section.

## 3 GAUGE PARTS (Pages 78-160)

On pages 78-147, the gauge parts construction charts are shown. Please note that generally, each chart shows the subclasses that perform similar sewing operations. On pages 148-160, the gauge parts lists are shown. They are arranged in numerical order of the machine type numbers.

## 4 REFERENCE TABLE (Pages 44-45)

The table provides an index of the machine, and its specific parts and gauge parts construction chart.

## 5 THE MACHINE MODEL AND ILLUSTRATIONS

When a part or parts are used only in certain machine models, they are enclosed in a frame with description of the machine model.

### Example

The parts ⑫~⑯ on page 18 are used only for E32 and E52.

Also, the same measurement is taken when using the reference numbers only.

### Example

The part ② on page 2 is used only for E56.  
The parts ①⑤⑨ are used only for E32 and E52.

## 6 PART NUMBER INDEX (Pages 165-170)

A part number index is attached to the back of this catalog for convenience.

## 7 PLEASE NOTE:

This catalog is applicable to your machine and is subject to change without notification.

# TABLE OF CONTENTS

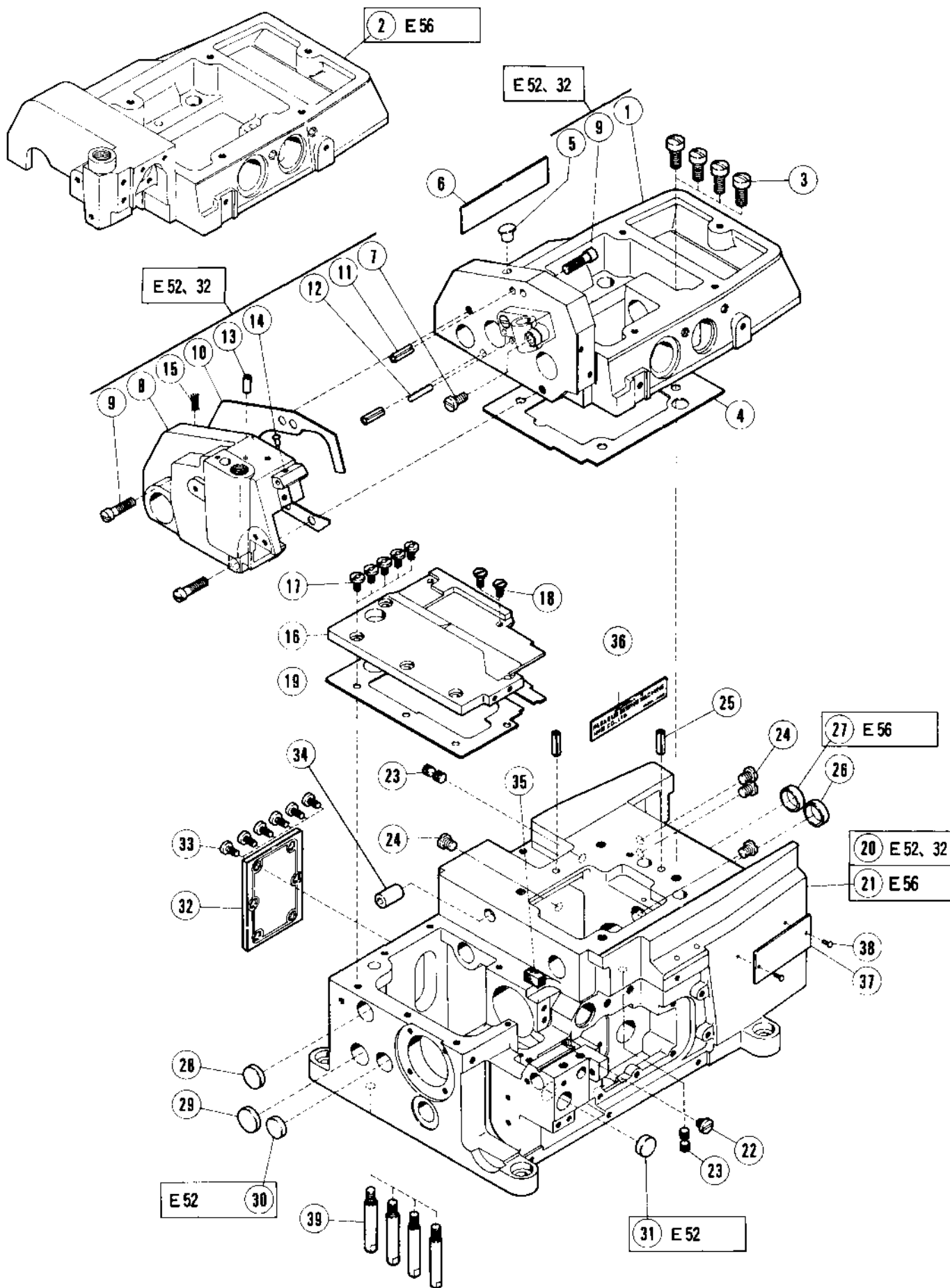
Page

Machine bed frame .....	2 - 3
Covers (1) .....	4 - 5
Covers (2) .....	6 - 7
Crankshaft drive mechanism .....	8 - 9
<u>E32/E52 needle drive mechanism</u> .....	<u>10 - 11</u>
E32 needle drive mechanism .....	12 - 13
E52 needle drive mechanism .....	14 - 15
E56 needle drive mechanism .....	16 - 17
Upper looper drive mechanism (1) .....	18 - 19
Upper looper drive mechanism (2) .....	20 - 21
Lower looper drive mechanism .....	22 - 23
E32 chainstitch looper drive mechanism (1) .....	24 - 25
E32 chainstitch looper drive mechanism (2) .....	26 - 27
Feed mechanism (1) .....	28 - 29
Feed mechanism (2) .....	30 - 31
Knife drive mechanism .....	32 - 33
Presser foot mechanism (1) .....	34 - 35
Presser foot mechanism (2) .....	36 - 37
Lubricating mechanism .....	38 - 39
H.R. device .....	40 - 41
Fabric edge guide .....	42 - 43
<b>Specific parts</b> .....	44 - 71
Thread stand .....	72 - 73
Parts for semi-submerged installation .....	74 - 75
Accessories .....	76 - 77

## GAUGE PARTS CONSTRUCTION CHARTS · GAUGE PARTS LISTS

E32 gauge parts construction chart .....	78 - 97
E52 gauge parts construction chart .....	98 - 129
E56 gauge parts construction chart .....	130 - 147
E32 gauge parts list .....	148 - 151
E52 gauge parts list .....	152 - 156
E56 gauge parts list .....	157 - 160

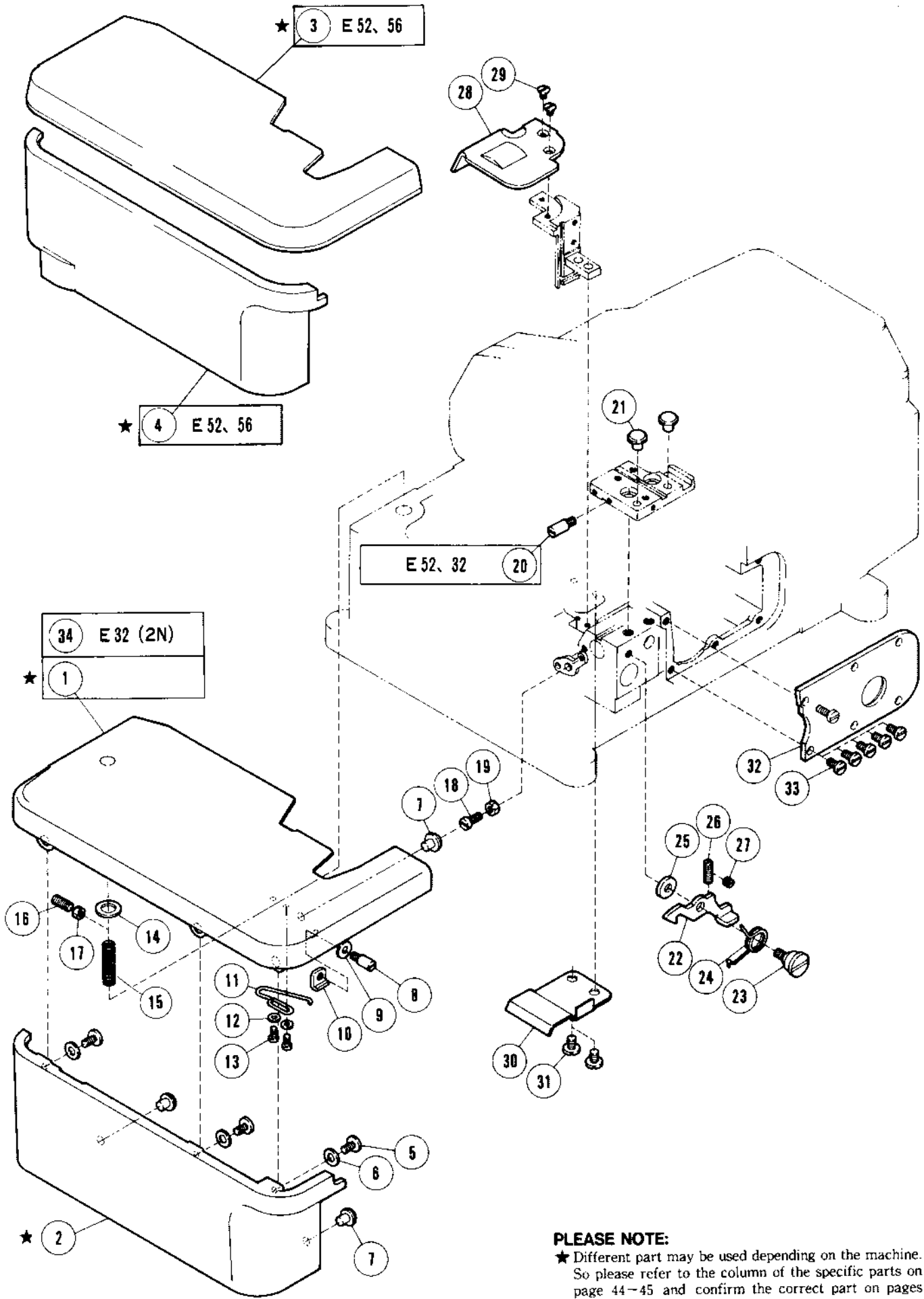
Needle size and upper looper/spreader .....	161
Needle size reference .....	161
Component parts list for <u>main feed dog complete</u> .....	162
E series machine classification .....	163
Part number index .....	165 - 170



From the library of: Diamond Needle Corp

# MACHINE BED FRAME

REF. NO.	PART NO.	NAME	QT.	MEMO
1	210218-HD	MACHINE ARM (RIGHT)	1	
2	210001-HD	MACHINE ARM	1	
3	5078	SCREW	4	
4	210002	GASKET	1	
5	211342	PLUG	1	
6	210526	NAME PLATE	1	
7	5357	SCREW	1	
8	210219-HD	MACHINE ARM (LEFT)	1	
9	5163	SCREW	3	
10	210220	GASKET	1	
11	201002	PIN	2	
12	206665	PIN	1	
13	210528	OIL PIPE	1	
14	198192	CUSHION RUBBER	1	
15	202174	OIL WICK	1	
16	210008	COVER PLATE	1	
17	4009-1	SCREW	5	
18	5482	SCREW	2	
19	210009	GASKET	1	
20	212327-FD	MACHINE BED	1	
21	212328-FD	MACHINE BED	1	
22	5434	SCREW	1	
23	2913-1	SCREW	4	
24	5332	SCREW	4	
25	201002	PIN	2	
26	204828	PLUG	1	
27	204828	PLUG	1	
28	208173	PLUG	1	
29	210003	PLUG	1	
30	218173	PLUG	1	
31	209084	PLUG	1	
32	210005	COVER PLATE	1	
33	5459	SCREW	6	
34	210583	OIL RETURN PIPE	1	
35	210010	OIL SHIELD	1	
36	202526	NAME PLATE	1	
37	212280	TYPE PLATE	1	
38	210679	PIN	2	
39	204006	MACHINE BED BOTTOM PIN	4	



**PLEASE NOTE:**

★ Different part may be used depending on the machine.  
 So please refer to the column of the specific parts on  
 page 44-45 and confirm the correct part on pages  
 46-71.

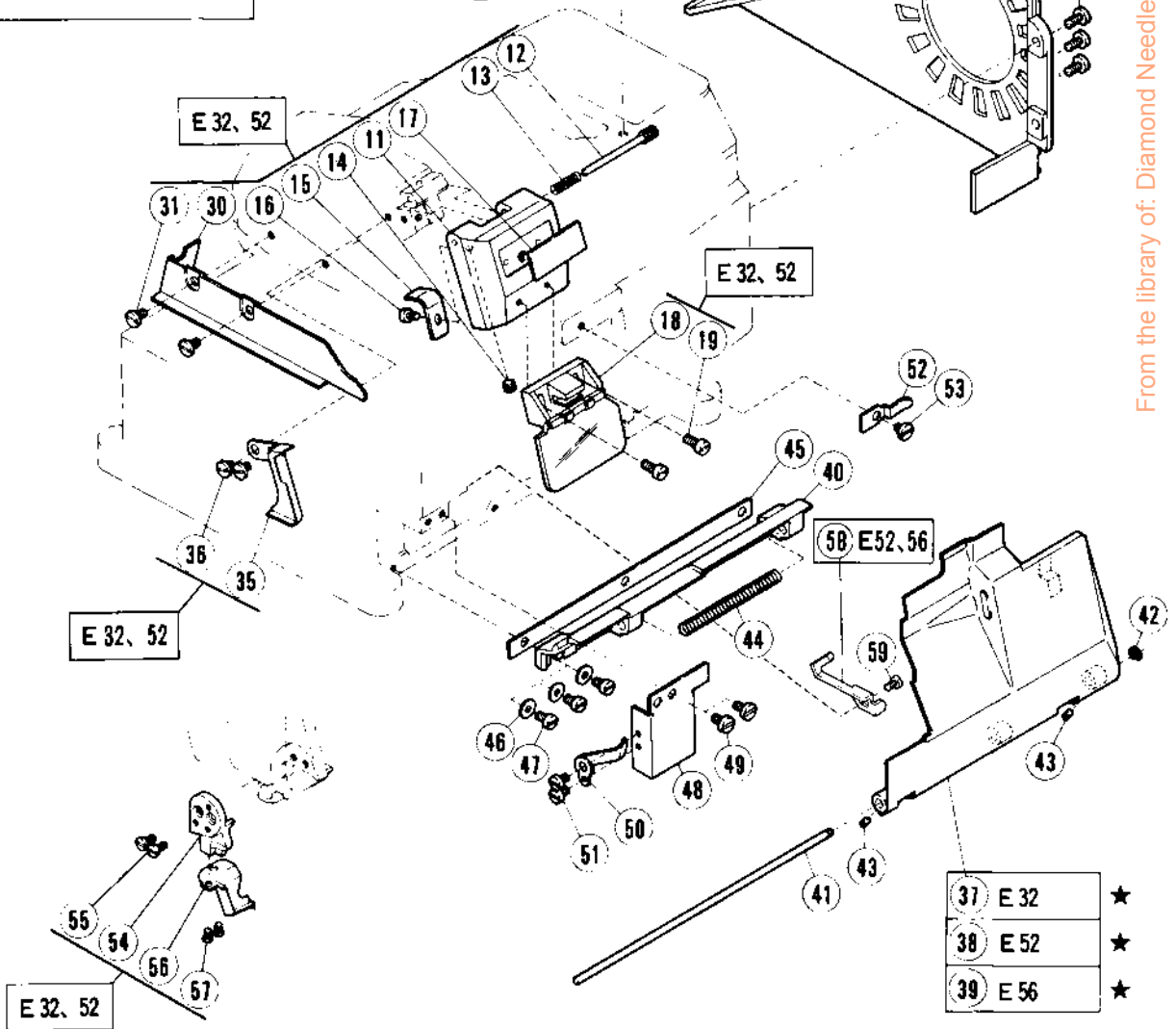
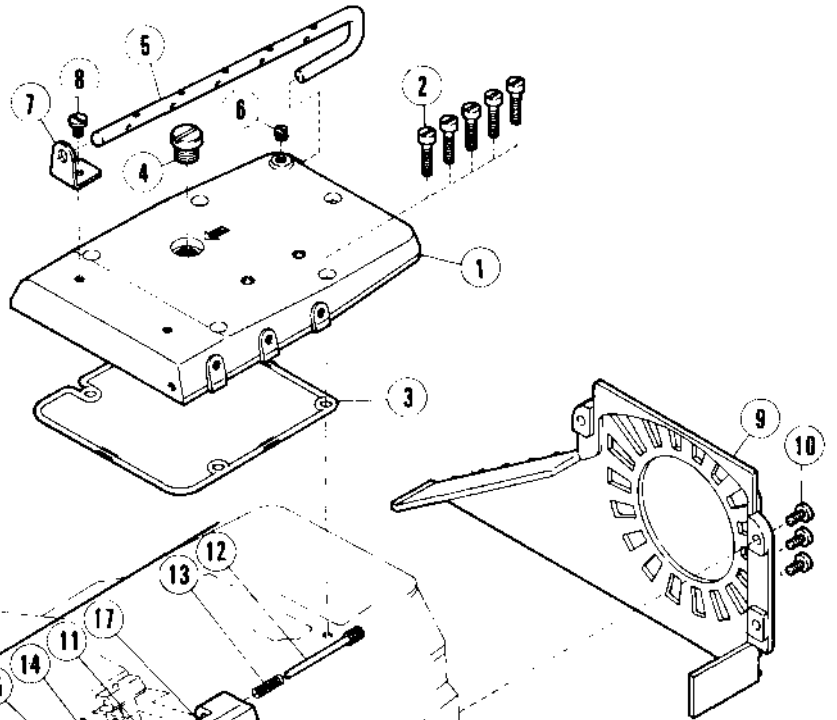
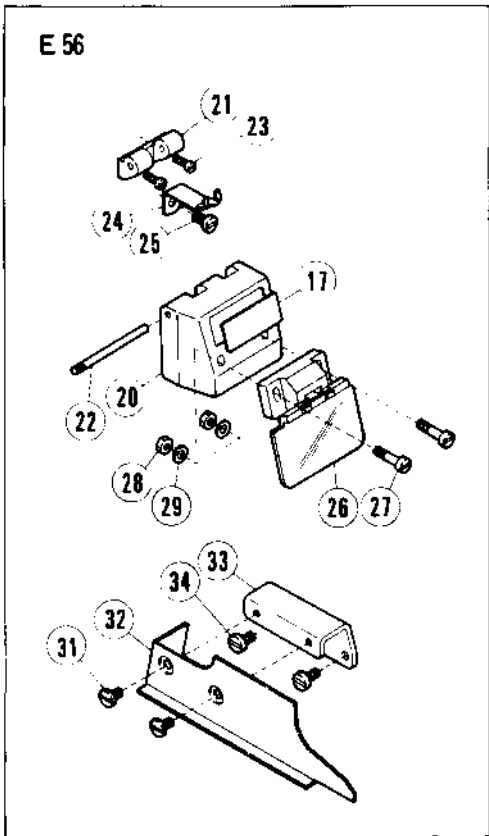
# COVERS (1)

REF. NO.	PART NO.	NAME	QT	MEMO
★1	210883	CLOTH PLATE (WIDE)	1	
★2	210027-FB	SIDE COVER (FOR 210883)	1	
★3	210881	CLOTH PLATE (NARROW)		
★4	210026-FB	SIDE COVER (FOR 210881)	1	
5	4009-1	SCREW	3	
6	202058	WASHER	3	
7	210025	CUSHION RUBBER	3	
8	210022	LATCH PIN	1	
9	137906	WASHER	1	
10	211300	NUT	1	
11	210024	SPRING	1	
12	202875	WASHER	2	
13	5012	SCREW	2	
14	210020	WASHER	1	
15	192130	SPRING	1	
16	5483	SCREW	1	
17	3044	NUT	1	
18	1174	SCREW	1	
19	3091	NUT	1	
20	210022	CLOTH PLATE LATCH PIN	1	
21	210025	CUSHION RUBBER	2	
22	210021	LATCH	1	
23	5488	SCREW	1	
24	210023	LATCH SPRING	1	
25	208245	WASHER	1	
26	1435	SCREW	1	
27	1459	SCREW	1	
28	210006	FEED ECCENTRIC COVER	1	
29	5480	SCREW	2	
30	210007	FEED BAR COVER	1	
31	2905	SCREW	2	
32	210117	UPPER LOOPER HOLDER COVER	1	
33	4009-1	SCREW	5	
34	210885	CLOTH PLATE (WIDE)(2N)	1	

E 56

**PLEASE NOTE:**

★ Different part may be used depending on the machine.  
So please refer to the column of the specific parts on page 44~45 and confirm the correct part on pages 46~71.



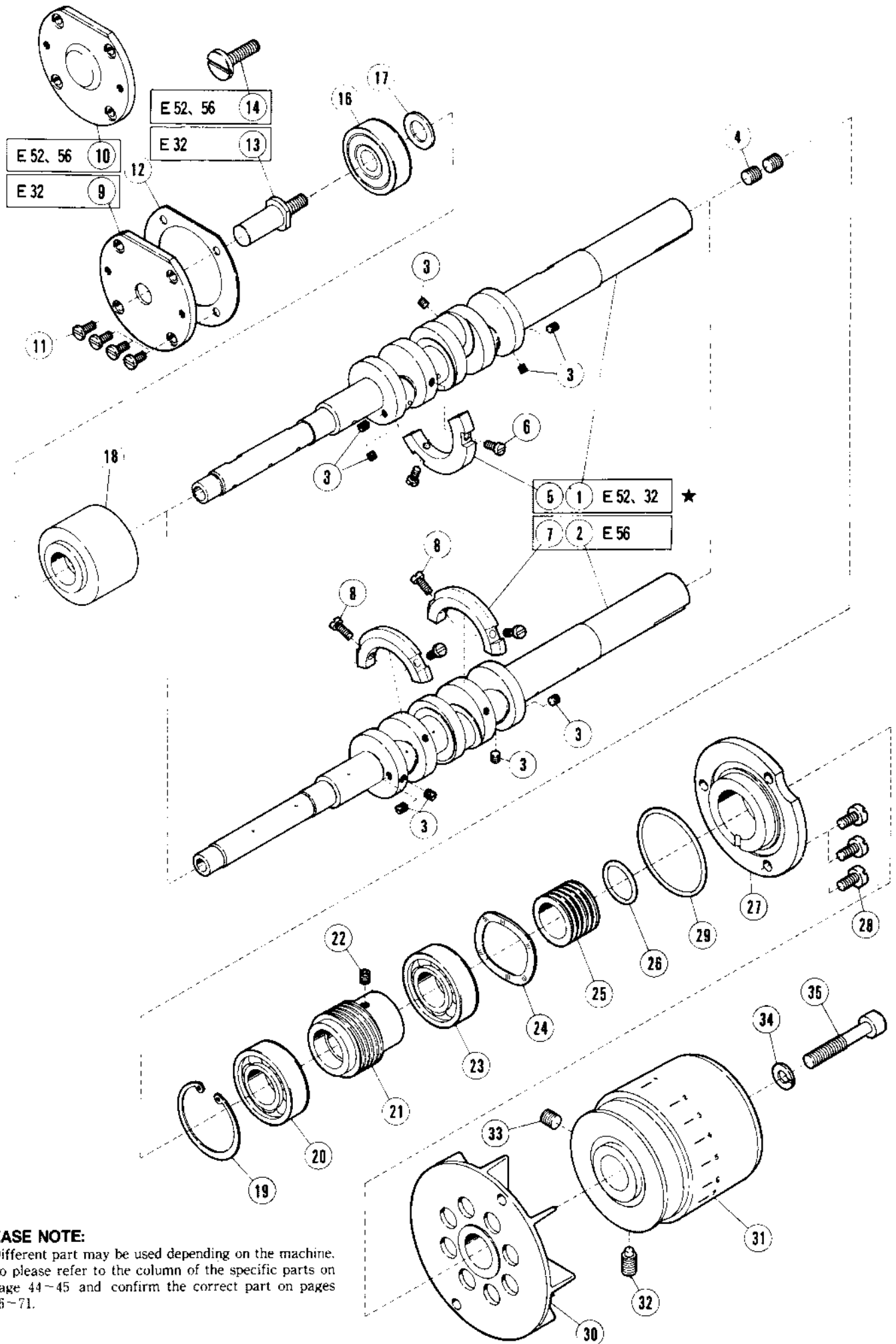
37	E 32	★
38	E 52	★
39	E 56	★

From the library of: Diamond Needle Corp

## COVERS (2)

REF. NO.	PART NO.	NAME	QT.	MEMO
1	210034-HD	TOP COVER	1	
2	5095	SCREW	5	
3	210035	O RING	1	
4	5198	SCREW	1	
5	210036	THREAD GUIDE BAR	1	
6	5060	SCREW	1	
7	210037	BRACKET	1	
8	4009-1	SCREW	1	
9	210028-FD	BELT COVER	1	
10	5117	SCREW	3	
11	211959-HD	NEEDLE THREAD COVER	1	
12	5598	PIN-SCREW	1	
13	211958	SPRING	1	
14	5292	SCREW	1	
15	210223	SPRING	1	
16	1216	SCREW	1	
17	205723	NAME PLATE	1	
18	208747	EYE GUARD COMPLETE	1	
19	1175-3	SCREW	2	
20	210029-HB	NEEDLE THREAD COVER	1	
21	202516-HD	HINGE	1	
22	210030	HINGE PIN	1	
23	2918	SCREW	2	
24	210031	HINGE SPRING	1	
25	5117	SCREW	1	
26	205688	EYE GUARD COMPLETE	1	
27	5010	SCREW	2	
28	3091	NUT	2	
29	137906	WASHER	2	
30	210224	FABRIC GUARD	1	
31	2905	SCREW	2	
32	210032	FABRIC GUARD	1	
33	210033	BRACKET/FABRIC GUARD	1	
34	5117	SCREW	2	
35	210221	MACHINE ARM LEFT COVER	1	
36	2905	SCREW	2	
★37	210270	FRONT COVER	1	
★38	210225	FRONT COVER	1	
★39	210041	FRONT COVER	1	
40	210042	HINGE	1	
41	208009	PIN	1	
42	200555	RETAINING RING	1	
43	5292	SCREW	2	
44	210043	HINGE SPRING	1	
45	210047	GASKET	1	
46	137906	WASHER	3	
47	1202	SCREW	3	
48	210046	GUIDE	1	
49	5458	SCREW	2	
50	210045	HOOK SPRING	1	
51	1216	SCREW	2	
52	210044	HOOK SPRING	1	
53	2905	SCREW	1	
54	211389	COVER	1	
55	5328	SCREW	2	
56	211390	COVER	1	
57	5053	SCREW	2	
58	211804	STOPPER	1	
59	5012	SCREW	1	



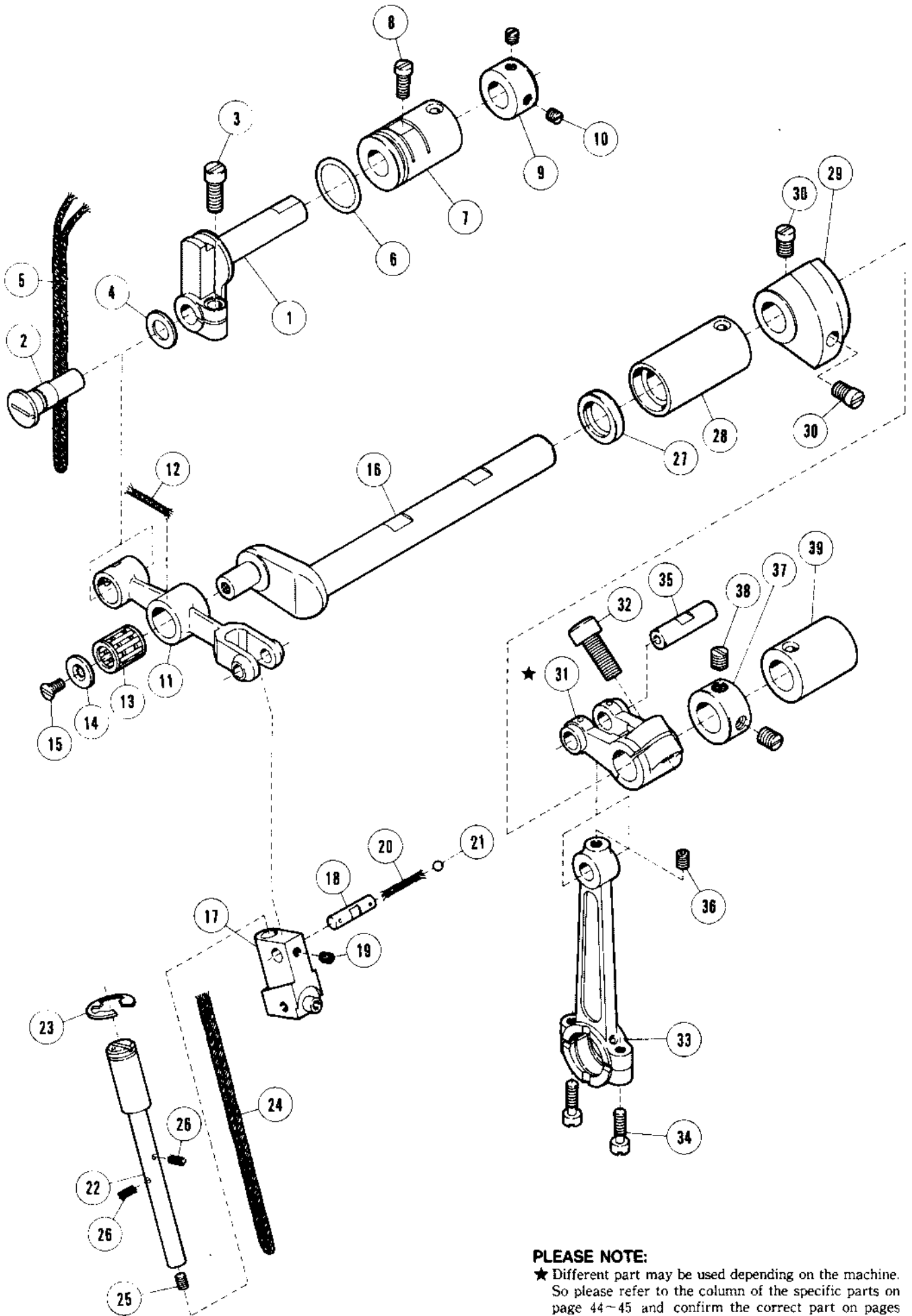


**PLEASE NOTE:**

★ Different part may be used depending on the machine.  
 So please refer to the column of the specific parts on  
 page 44-45 and confirm the correct part on pages  
 46-71.

# CRANKSHAFT DRIVE MECHANISM

REF. NO.	PART NO.	NAME	QT.	MEMO
★ 1	210228	CRANKSHAFT	1	
2	210048	CRANKSHAFT	1	
3	1459	SCREW	5	
4	1448	SCREW	2	
5	210062	BALANCE WEIGHT	1	
6	5029	SCREW	2	
7	211341	BALANCE WEIGHT	2	
8	5029	SCREW	4	
9	204881	HOUSING	1	
10	204737	HOUSING	1	
11	5328	SCREW	4	
12	204319	GASKET	1	
13	204873	CRANKSHAFT EXTENSION	1	
14	5497	SCREW	1	
16	204010	BALL BEARING	1	
17	204789	THRUST WASHER	1	
18	211533	BUSHING	1	
19	211527	RETAINING RING	1	
20	211525	BALL BEARING	1	
21	211530	WORM	1	
22	5461	SCREW	1	
23	211526	BALL BEARING	1	
24	211529	PLATE SPRING	1	
25	210056	OIL SEAL	1	
26	210057	O RING	1	
27	211528	BALL BEARING RETAINER	1	
28	5117	SCREW	3	
29	210055	O RING	1	
30	210058	COOLING FAN	1	
31	211345-HD	MACHINE PULLEY	1	
32	5523	PIN-SCREW	1	
33	5050	SCREW	1	
34	204293	SPRING WASHER	1	
35	5522	SCREW	1	

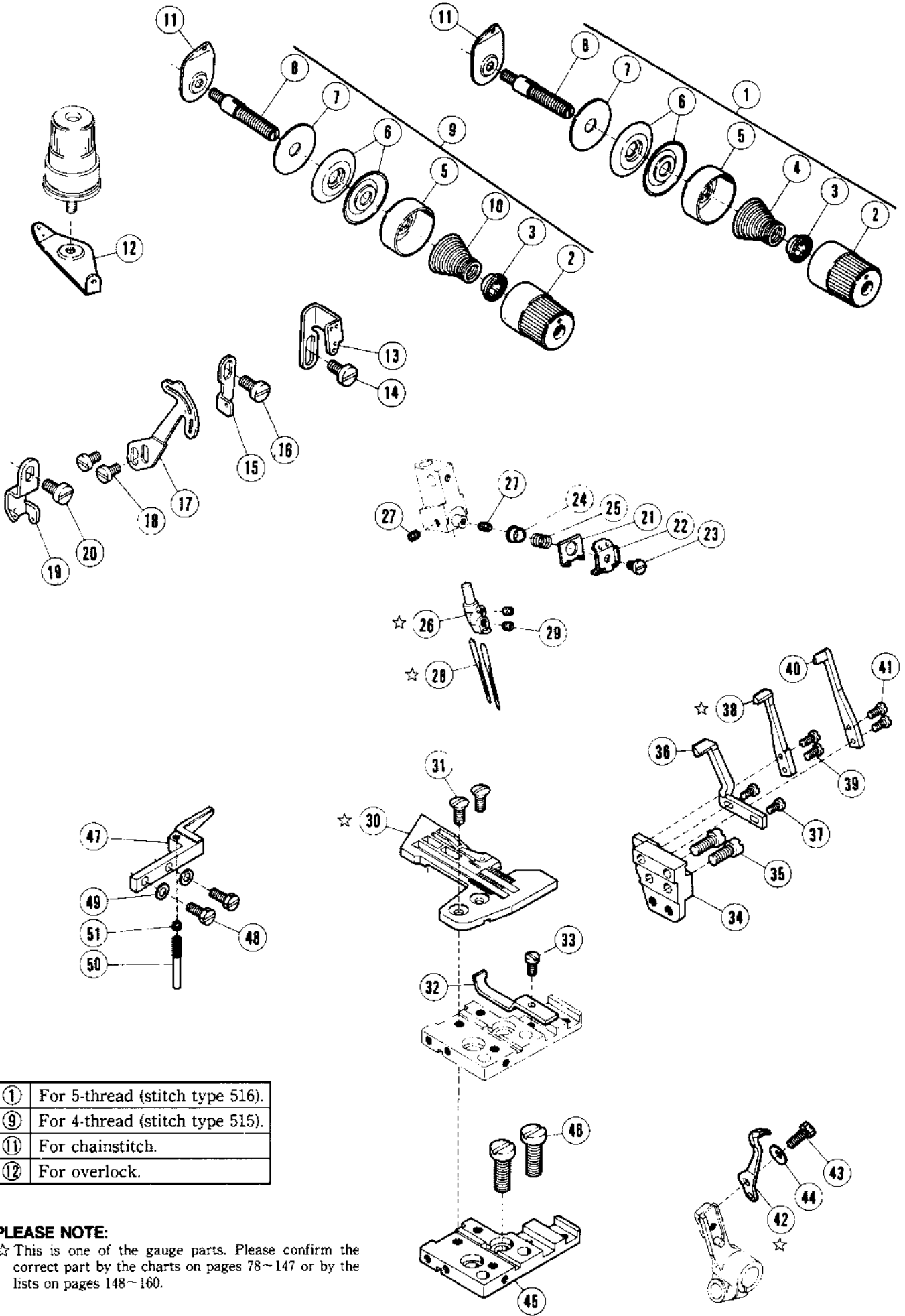


**PLEASE NOTE:**

★ Different part may be used depending on the machine. So please refer to the column of the specific parts on page 44~45 and confirm the correct part on pages 46~71.

## E32/E52 NEEDLE DRIVE MECHANISM (1)

REF. NO.	PART NO.	NAME	QT.	MEMO
1	210239	HOLDER	1	
2	210240	PIN	1	
3	5485	SCREW	1	
4	210241	WASHER	1	
5	212186	OIL WICK	1	
6	210057	O RING	1	
7	210242	BUSHING	1	
8	2133-1	SCREW	1	
9	201056	THRUST COLLAR	1	
10	1457	SCREW	2	
11	210235	LEVER/NEEDLE DRIVE	1	
12	202175	OIL WICK	1	
13	210238	NEEDLE BEARING	1	
14	210236	WASHER	1	
15	5022	SCREW	1	
16	210232	SHAFT/NEEDLE DRIVE	1	
17	210243	NEEDLE HOLDER GUIDE	1	
18	210237A	PIN	1	
19	5292	SCREW	1	
20	202175	OIL WICK	1	
21	240148	PLUG	1	
22	210244	STUD	1	
23	202577	STOP RING	1	
24	202176	OIL WICK	1	
25	5292	SCREW	1	
26	202174	OIL WICK	2	
27	210069	OIL SEAL	1	
28	210234	BUSHING	1	
29	210511	BALANCE WEIGHT	1	
30	5059	SCREW	2	
★31	210230	CRANK/NEEDLE DRIVE/STD LIFT	1	
32	5457	SCREW	1	
33	210229	CONNECTION/NEEDLE DRIVE	1	
34	5376	SCREW	2	
35	204146	PIN	1	
36	5461	SCREW	1	
37	201635	COLLAR	1	
38	5060	SCREW	2	
39	210233	BUSHING	1	



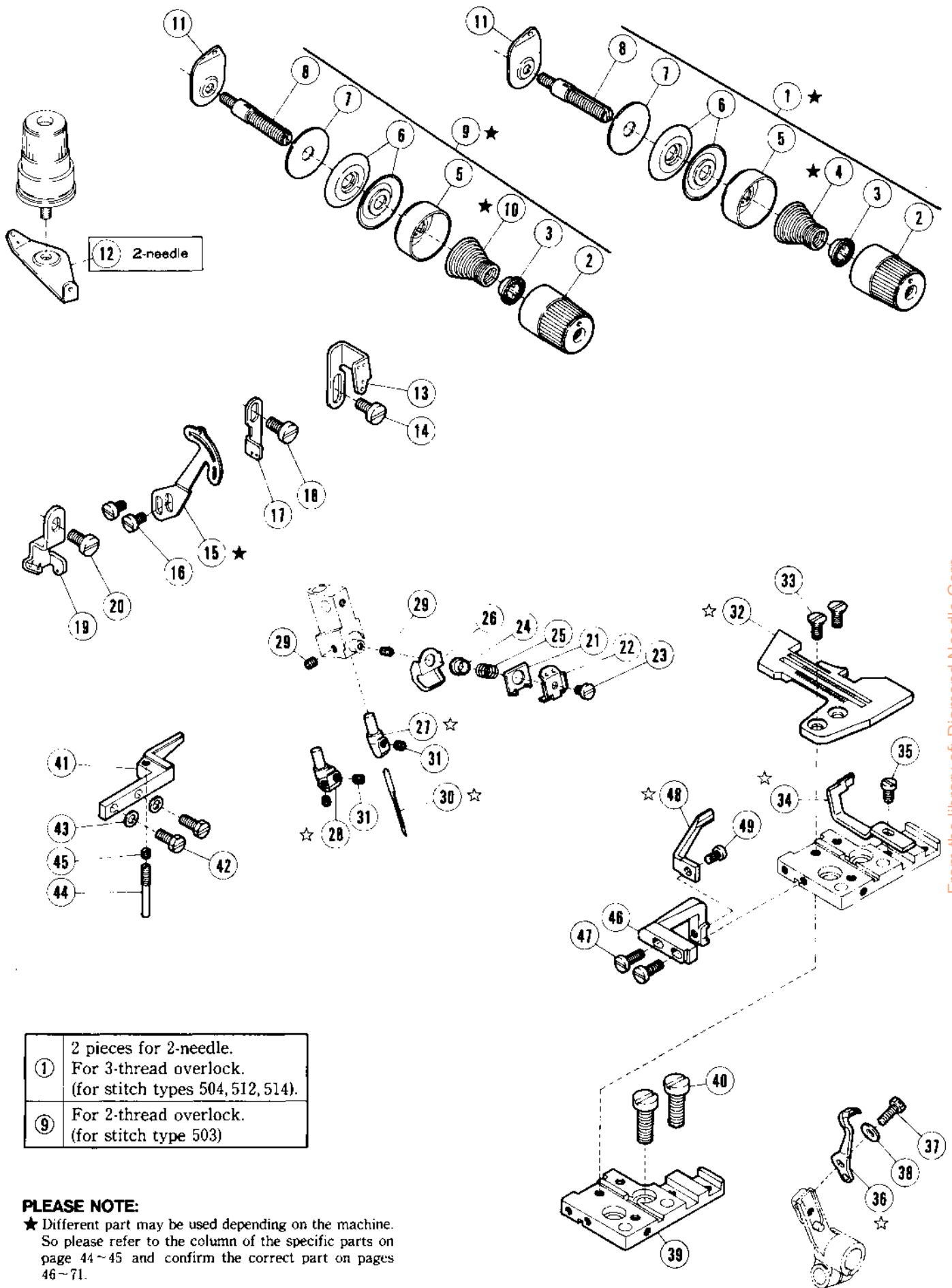
①	For 5-thread (stitch type 516).
⑨	For 4-thread (stitch type 515).
⑪	For chainstitch.
⑫	For overlock.

**PLEASE NOTE:**

☆ This is one of the gauge parts. Please confirm the correct part by the charts on pages 78~147 or by the lists on pages 148~160.

## E32 NEEDLE DRIVE MECHANISM

REF. NO.	PART NO.	NAME	QT.	MEMO
1	210529	TENSION NUT COMPLETE	1	
2	208447	POST NUT	1	
3	208448	SPRING BUSHING	1	
4	201037	TENSION SPRING (HEAVY)	1	
5	208450	CUP	1	
6	210319	DISK	2	
7	208449	FELT	1	
8	5082A	POST	1	
9	210531	THREAD TENSION COMPLETE	1	
10	201068	TENSION SPRING (LIGHT)	1	
11	202849	GUIDE/1 NDL	1	
12	210090	GUIDE/2 NDL	1	
13	210264	NEEDLE THREAD GUIDE RIGHT	1	
14	5117	SCREW	1	
15	210722	NEEDLE THREAD GUIDE CENTER	1	
16	5117	SCREW	1	
17	211898	NEEDLE THREAD TAKEUP	1	
18	1175-3	SCREW	2	
19	210313	NEEDLE THREAD GUIDE LEFT	1	
20	5117	SCREW	1	
21	210749	NEEDLE THREAD RETAINER	1	
22	210260	BRACKET	1	
23	1229	SCREW	1	
24	210750	GUIDE	1	
25	210751	SPRING	1	
☆26	XXXXXX	NEEDLE HOLDER	1	
27	5292	SCREW	2	
☆28	XXXXXX	NEEDLE	2	
29	5292	SCREW	2	
☆30	XXXXXX	NEEDLE PLATE	1	
31	5484-HC	SCREW	2	
32	210278	CHAINSTITCH NEEDLE GUARD FRONT	1	
33	5328	SCREW	1	
34	210277	NEEDLE GUARD BRACKET	1	
35	5002	SCREW	2	
36	210279	CHAINSTITCH NEEDLE GUARD REAR	1	
37	5492	SCREW	2	
☆38	210276	OVERLOCK NEEDLE GUARD REAR	1	
39	5492	SCREW	2	
40	210275	OVERLOCK NEEDLE GUARD FRONT	1	
41	5492	SCREW	2	
☆42	210724	MOVABLE NEEDLE GUARD	1	
43	5501	SCREW	1	
44	210930	WASHER	1	
45	211392	BRACKET ASSEMBLY/NEEDLE PLATE	1	
46	5357	SCREW	2	
47	210922	SUPPORT COMPLETE	1	
48	5501	SCREW	2	
49	210898	WASHER	2	
50	210923	GUIDE	1	
51	1459	SCREW	1	



①	2 pieces for 2-needle. For 3-thread overlock. (for stitch types 504, 512, 514).
⑨	For 2-thread overlock. (for stitch type 503)

**PLEASE NOTE:**

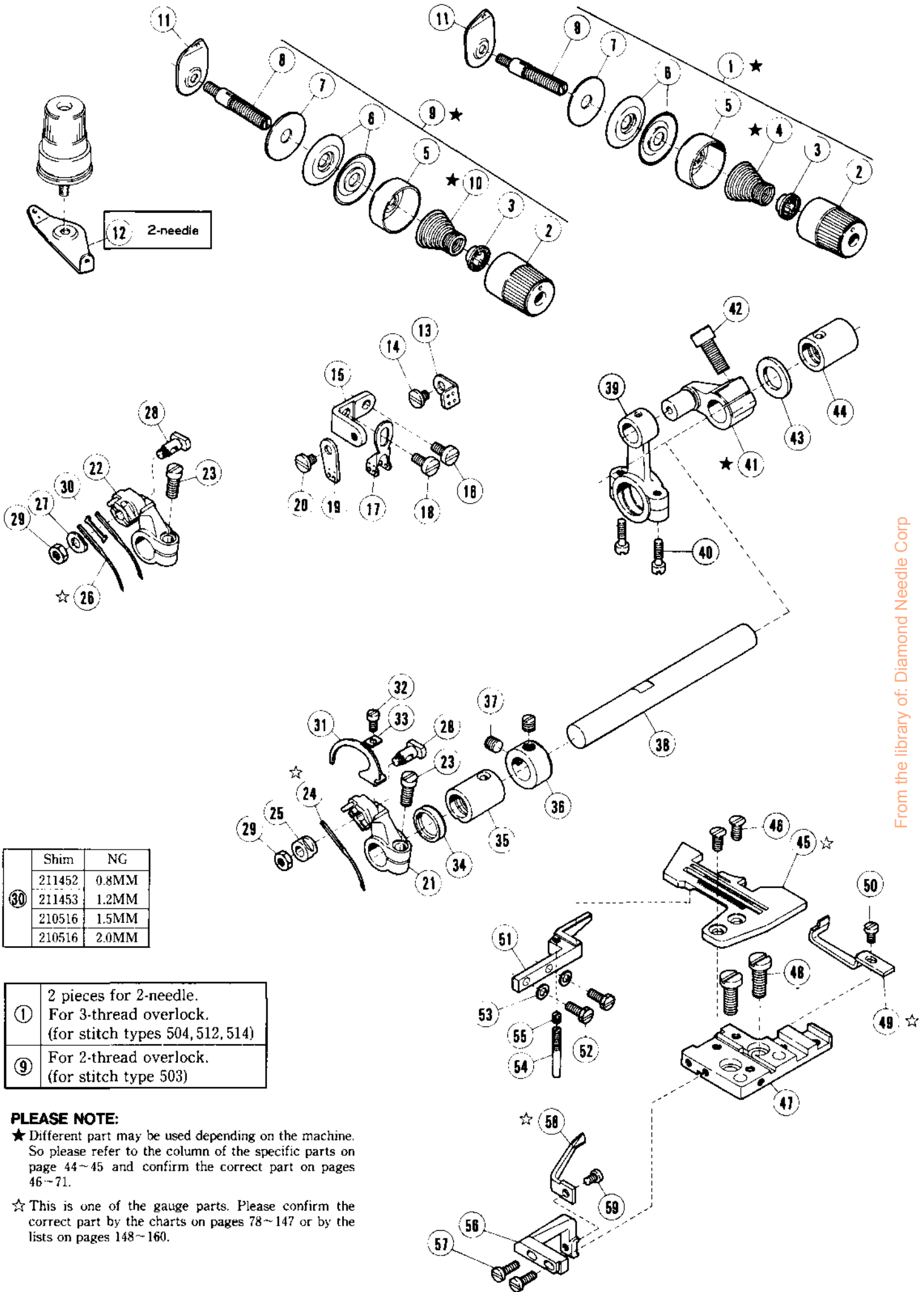
★ Different part may be used depending on the machine. So please refer to the column of the specific parts on page 44~45 and confirm the correct part on pages 46~71.

☆ This is one of the gauge parts. Please confirm the correct part by the charts on pages 78~147 or by the lists on pages 148~160.

## E52 NEEDLE DRIVE MECHANISM

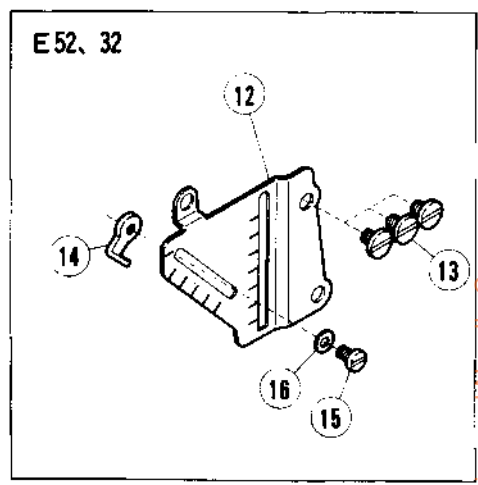
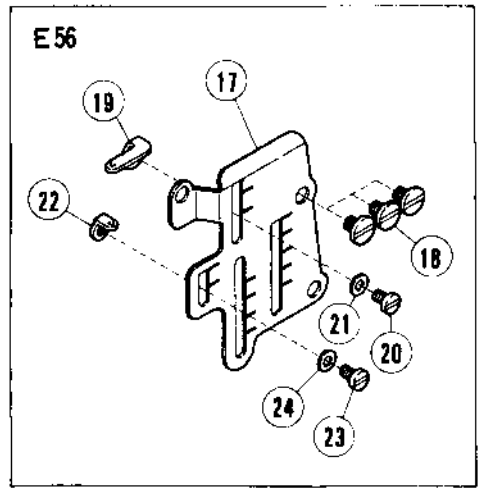
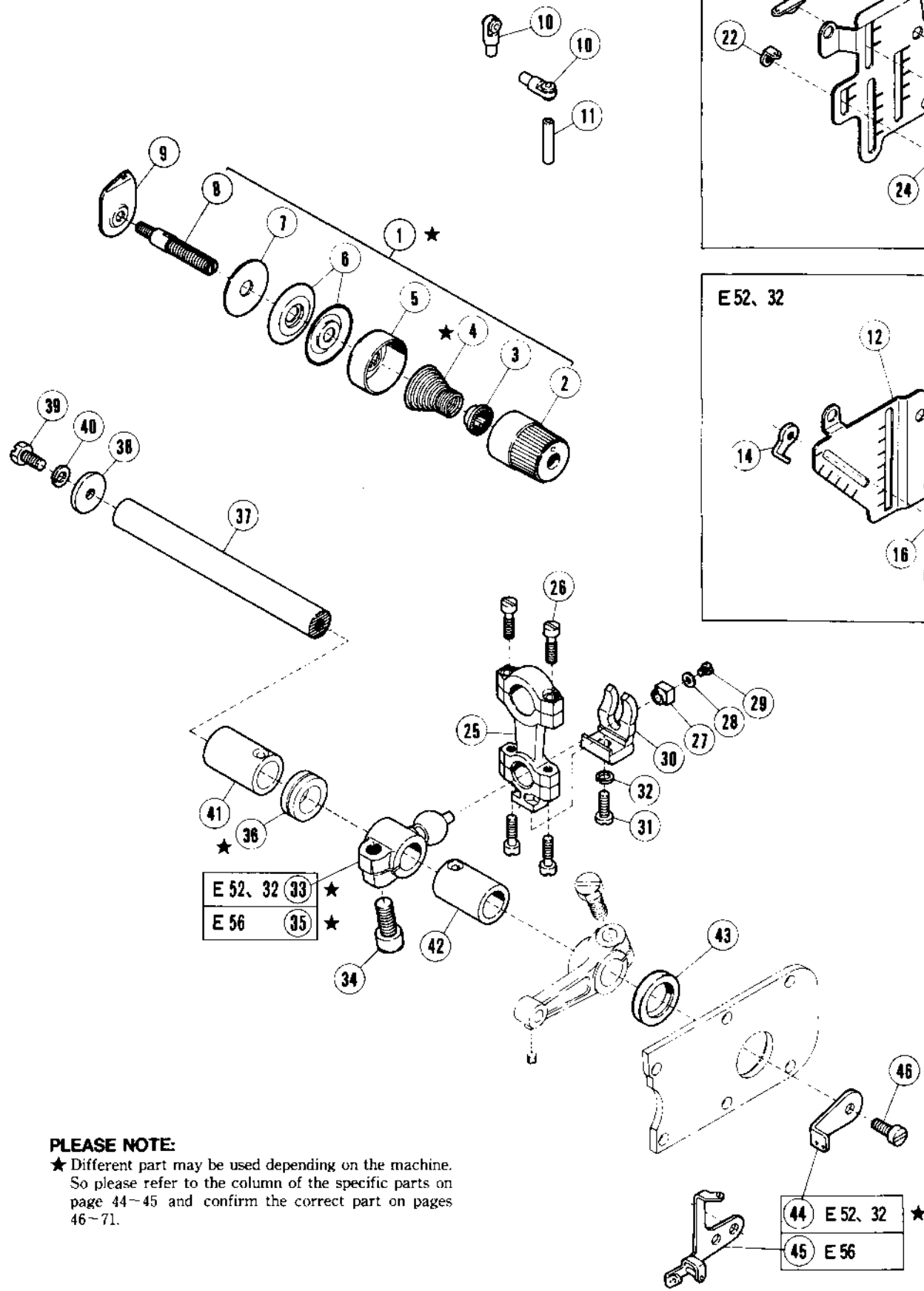
REF. NO.	PART NO.	NAME	QT.	MEMO
★ 1	210529	THREAD TENSION COMPLETE	1	
2	208447	POST NUT	1	
3	208448	SPRING BUSHING	1	
★ 4	201037	TENSION SPRING (HEAVY)	1	
5	208450	CAP	1	
6	210319	DISC	2	
7	208449	FELT	1	
8	5082A	SCREW STUD	1	
★ 9	210531	THREAD TENSION COMPLETE	1	
★10	201068	TENSION SPRING (LIGHT)	1	
11	202849	TENSION GUIDE	1	
12	210090	TENSION GUIDE/2 NDL	1	
13	210264	NEEDLE THREAD GUIDE RIGHT	1	
14	5117	SCREW	1	
★15	211398	NEEDLE THREAD TAKEUP	1	
16	1175-3	SCREW	2	
17	211400	NEEDLE THREAD GUIDE CENTER	1	
18	5117	SCREW	1	
19	211399	NEEDLE THREAD GUIDE LEFT	1	
20	5117	SCREW	1	
21	210749	NEEDLE THREAD RETAINER	1	
22	210260	BRACKET	1	
23	1229	SCREW	1	
24	210750	GUIDE	1	
25	210751	SPRING	1	
26	211348	THREAD GUIDE/NEEDLE HOLDER	1	
☆27	211358	NEEDLE HOLDER	1	
☆28	XXXXXX	NEEDLE HOLDER/2-NEEDLE	1	
29	5292	SCREW	2	
☆30	XXXXXX	NEEDLE	1	
31	5292	SCREW	1	
☆32	XXXXXX	NEEDLE PLATE	1	
33	5484-HC	SCREW	2	
☆34	XXXXXX	NEEDLE GUARD (FRONT)	1	
35	5328	SCREW	1	
☆36	210724	NEEDLE GUARD (REAR)	1	
37	5501	SCREW	1	
38	210930	WASHER	1	
39	211392	BRACKET ASSEMBLY/NEEDLE PLATE	1	
40	5357	SCREW	2	
41	210922	NEEDLE PLATE SUPPORT COMPLETE	1	
42	5501	SCREW	2	
43	210898	WASHER	2	
44	210923	GUIDE	1	
45	1459	SCREW	1	
46	210084	NEEDLE GUARD BRACKET	1	
47	1175-3	SCREW	2	
☆48	XXXXXX	NEEDLE GUARD (REAR)	1	
49	1202	SCREW	1	





# E56 NEEDLE DRIVE MECHANISM

REF. NO.	PART NO.	NAME	QT.	MEMO
★ 1	210529	TENSION NUT COMPLETE (HEAVY)	1	
2	208447	POST NUT	1	
3	208448	SPRING BUSHING	1	
★ 4	201037	TENSION SPRING (HEAVY)	1	
5	208450	CUP	1	
6	210319	DISC	2	
7	208449	FELT	1	
8	5082A	POST	1	
★ 9	210531	TENSION NUT COMPLETE (LIGHT)	1	
★10	201068	TENSION SPRING (LIGHT)	1	
11	202849	TENSION GUIDE/1 NDL	1	
12	210090	TENSION GUIDE/2 NDL	1	
13	210089	NEEDLE THREAD GUIDE RIGHT	1	
14	2905	SCREW	1	
15	210087	BRACKET	1	
16	5117	SCREW	1	
17	210088	NEEDLE THREAD GUIDE CENTER	1	
18	5117	SCREW	1	
19	210086	NEEDLE THREAD GUIDE LEFT	1	
20	5117	SCREW	1	
21	210070	NEEDLE ARM/1 NDL	1	
22	210071	NEEDLE ARM/2 NDL	1	
23	5485	SCREW	1	
☆24	XXXXXX	NEEDLE	1	
25	201031A	NEEDLE CLAMP/1 NDL	1	
☆26	XXXXXX	NEEDLE	2	
27	202273	NEEDLE CLAMP/2 NDL	1	
28	201239A	NEEDLE CLAMP SCREW	1	
29	3044	NUT	1	
30	210516	NEEDLE SHIM 1.5MM	1	
31	210085	NEEDLE THREAD TAKEUP	1	
32	1196	SCREW	1	
33	205737	WASHER	1	
34	210069	OIL SEAL	1	
35	210068	BUSHING	1	
36	201635	COLLAR	1	
37	5060	SCREW	2	
38	210066	SHAFT/NEEDLE DRIVE	1	
39	210063	CONNECTION/NEEDLE DRIVE	1	
40	5376	SCREW	2	
★41	210064	CRANK/NEEDLE DRIVE/STD LIFT	1	
42	5457	SCREW	1	
43	206180	THRUST WASHER	1	
44	210067	BUSHING	1	
☆45	XXXXXX	NEEDLE PLATE	1	
46	5484-HC	SCREW	2	
47	211392	BRACKET ASSEMBLY/NEEDLE PLATE	1	
48	5357	SCREW	2	
☆49	XXXXXX	NEEDLE GUARD FRONT/1 NDL	1	
50	5328	SCREW	1	
51	210922	NEEDLE PLATE SUPPORT COMPLETE	1	
52	5501	SCREW	2	
53	210898	WASHER	2	
54	210923	GUIDE	1	
55	1459	SCREW	1	
56	210084	NEEDLE GUARD BRACKET	1	
57	1175-3	SCREW	2	
☆58	XXXXXX	NEEDLE GUARD REAR	1	
59	1206	SCREW	1	



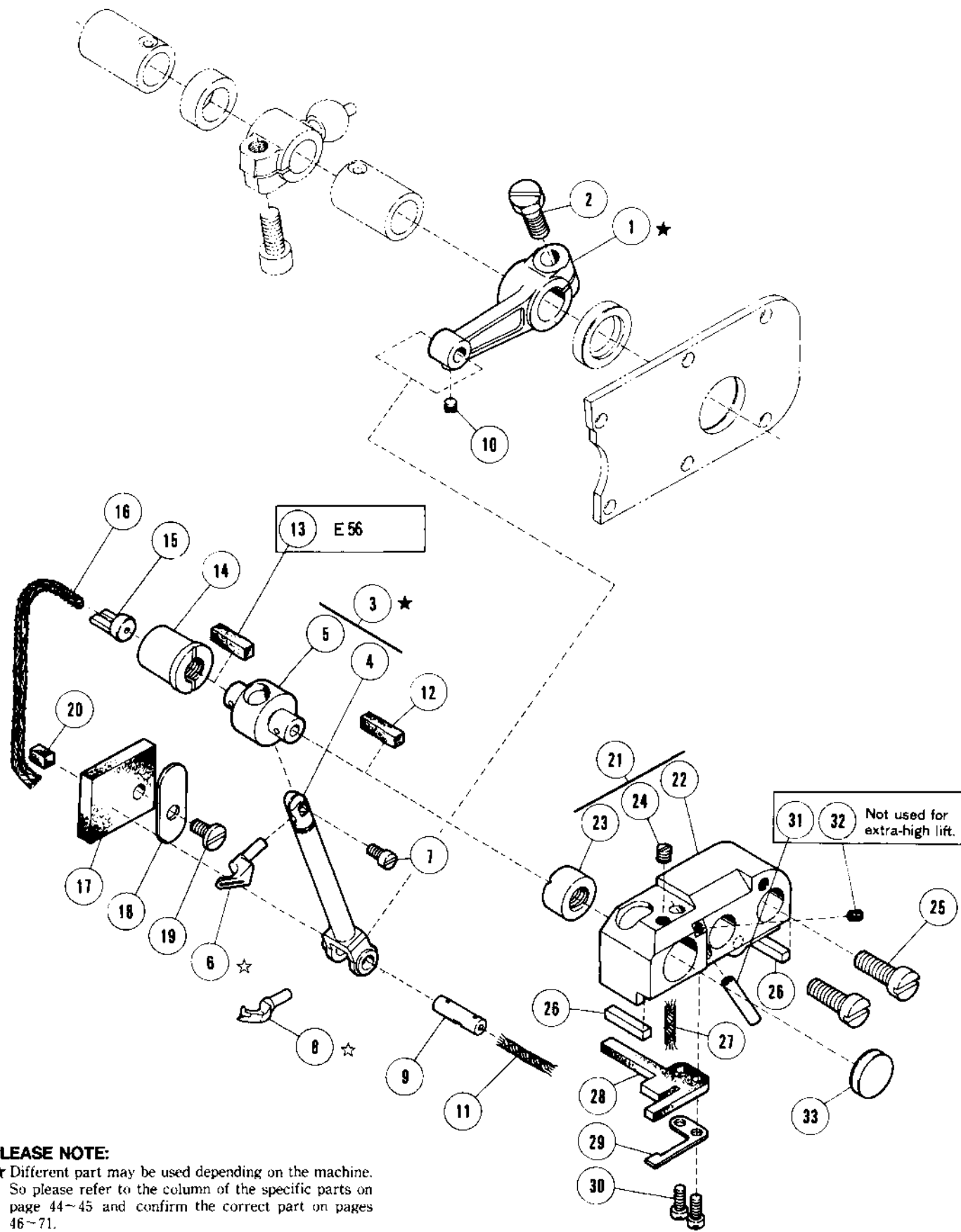
**PLEASE NOTE:**

★ Different part may be used depending on the machine. So please refer to the column of the specific parts on page 44-45 and confirm the correct part on pages 46-71.

44	E 52, 32	★
45	E 56	

## UPPER LOOPER DRIVE MECHANISM (1)

REF. NO.	PART NO.	NAME	QT.	MEMO
★ 1	210531	TENSION NUT COMPLETE (LIGHT)	1	
2	208447	POST NUT	1	
3	208448	SPRING BUSHING	1	
★ 4	201068	TENSION SPRING (LIGHT)	1	
5	208450	CUP	1	
6	210319	DISC	2	
7	208449	FELT	1	
8	5082A	POST	1	
9	202849	TENSION GUIDE	1	
10	201439A	EYELET	2	
11	204657	THREAD TUBE	1	
12	210349	LOOPER THREAD GUIDE PLATE	1	
13	2905	SCREW	3	
14	210350	UPPER LOOPER THREAD GUIDE	1	
15	5519	SCREW	1	
16	202875	WASHER	1	
17	210344	LOOPER THREAD GUIDE PLATE	1	
18	2905	SCREW	3	
19	210345	UPPER LOOPER THREAD GUIDE	1	
20	2921	SCREW	1	
21	202875	WASHER	1	
22	202860	THREAD GUIDE	1	
23	2921	SCREW	1	
24	202875	WASHER	1	
25	210091	CONNECTION/UPPER LOOPER DRIVE	1	
26	5376	SCREW	4	
27	210093	BLOCK/CONNECTION	1	
28	210585	WASHER	1	
29	1231	SCREW	1	
30	210092	GUIDE/CONNECTION	1	
31	5546	SCREW	1	
32	202286	WASHER	1	
★33	210733	CRANK/UPPER LOOPER/STD LIFT	1	
34	5457	SCREW	1	
★35	210098	WASHER	1	
★36	206180	THRUST WASHER	1	
37	210099	SHAFT/UPPER LOOPER DRIVE	1	
38	210100	WASHER	1	
39	2193	SCREW	1	
40	202286	WASHER	1	
41	210102	BUSHING	1	
42	210101	BUSHING	1	
43	210103	OIL SEAL	1	
★44	210351	UPPER LOOPER THREAD TAKEUP	1	
45	210346	UPPER LOOPER THREAD TAKEUP	1	
46	2902	SCREW	1	



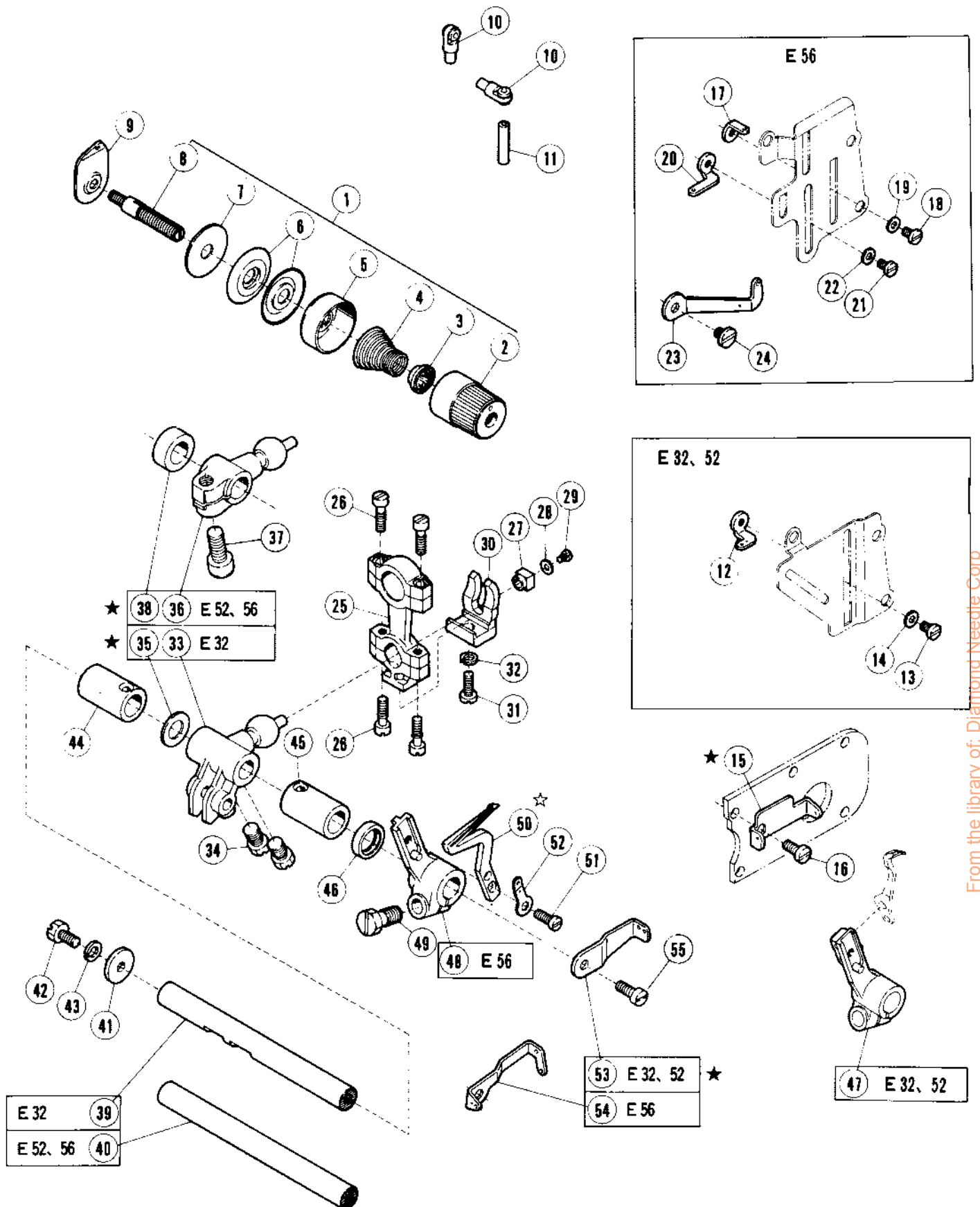
**PLEASE NOTE:**

★ Different part may be used depending on the machine. So please refer to the column of the specific parts on page 44~45 and confirm the correct part on pages 46~71.

☆ This is one of the gauge parts. Please confirm the correct part by the charts on pages 78~147 or by the lists on pages 148~160.

## UPPER LOOPER DRIVE MECHANISM (2)

REF. NO.	PART NO.	NAME	QT.	MEMO
★ 1	210104	LEVER/UPPER LOOPER HOLDER	1	
2	5284	SCREW	1	
★ 3	210748	UPPER LOOPER HOLDER ASSEMBLY	1	
4	210106	UPPER LOOPER HOLDER	1	
5	210107	GUIDE/UPPER LOOPER HOLDER	1	
☆ 6	XXXXXX	UPPER LOOPER	1	
7	1998-2	SCREW	1	
☆ 8	XXXXXX	SPREADER	1	
9	210105	PIN	1	
10	5292	SCREW	1	
11	202175	OIL WICK	1	
12	204274	OIL FELT	1	
13	204274	OIL FELT	1	
14	210110	BUSHING	1	
15	210111	OIL RELEASE PLUG	1	
16	202174	OIL WICK	1	
17	210112	OIL FELT	1	
18	210113	SET PLATE	1	
19	4009-1	SCREW	1	
20	210721	OIL FELT	1	
21	211995	UPPER LOOPER HOLDER BASE	1	
22	210108	BASE/UPPER LOOPER HOLDER GUIDE	1	
23	210109	BUSHING	1	
24	5408	SCREW	1	
25	5282	SCREW	2	
26	210118	GASKET	2	
27	202175	OIL WICK	1	
28	212116	OIL FELT	1	
29	210115	SET PLATE	1	
30	5012	SCREW	2	
31	204657	THREAD TUBE	1	
32	5292	SCREW	1	
33	208173	CAP	1	



**PLEASE NOTE:**

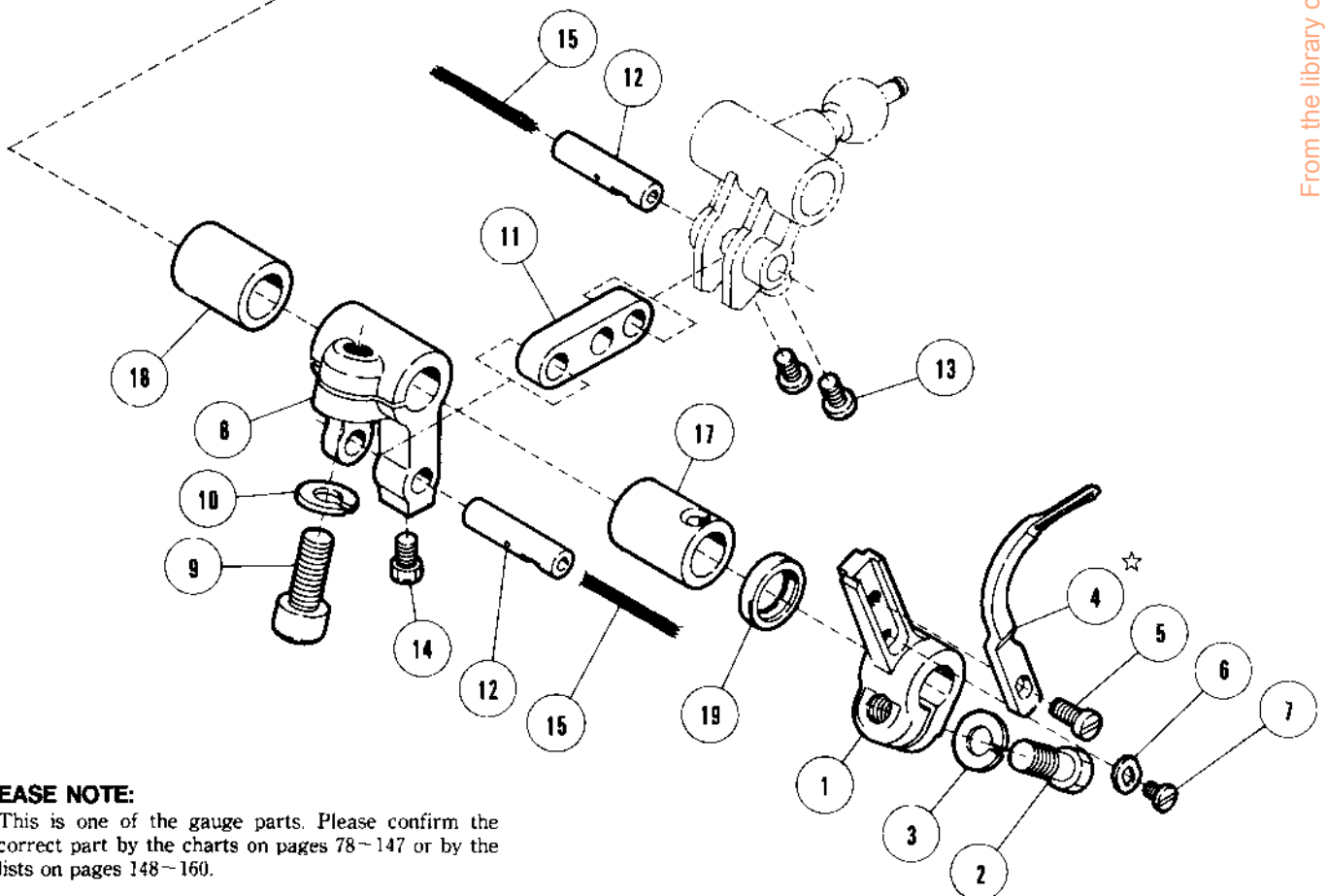
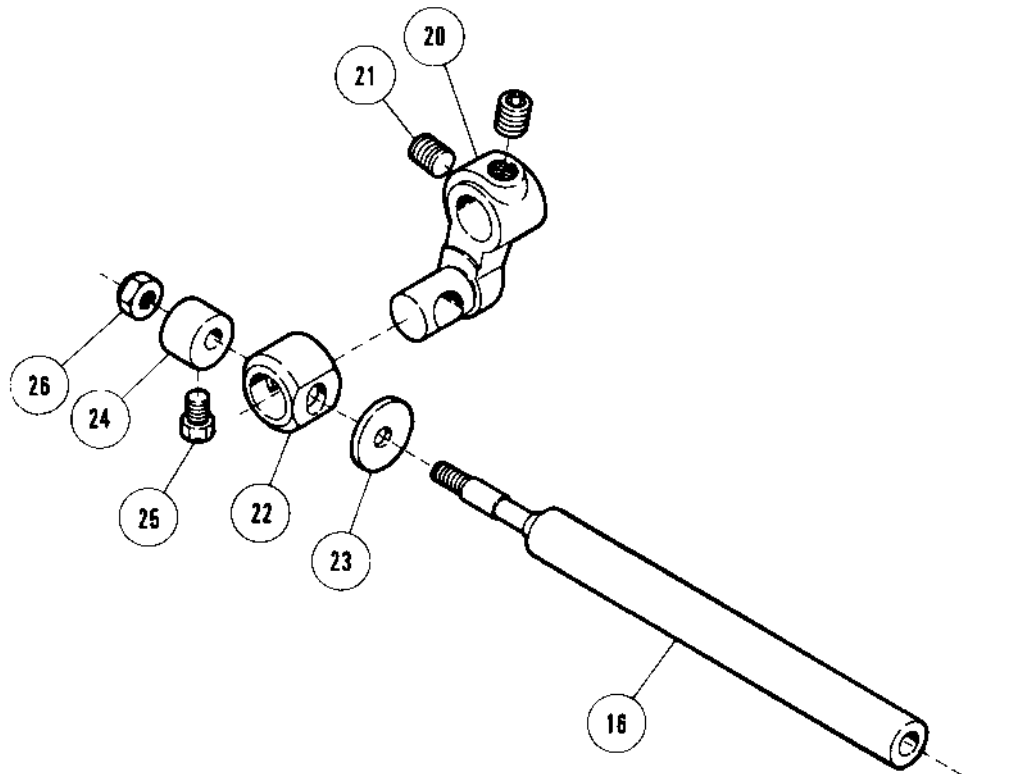
★ Different part may be used depending on the machine. So please refer to the column of the specific parts on page 44~45 and confirm the correct part on pages 46~71.

☆ This is one of the gauge parts. Please confirm the correct part by the charts on pages 78~147 or by the lists on pages 148~160.

# LOWER LOOPER DRIVE MECHANISM

REF. NO.	PART NO.	NAME	QT.	MEMO
1	210530	TENSION NUT COMPLETE (MEDIUM)	1	
2	208447	POST NUT	1	
3	208448	SPRING BUSHING	1	
4	201086	TENSION SPRING (MEDIUM)	1	
5	208450	CUP	1	
6	210319	DISC	2	
7	208449	FELT	1	
8	5082A	POST	1	
9	202849	TENSION GUIDE	1	
10	201439A	EYELET	2	
11	204657	THREAD TUBE	1	
12	211391	THREAD GUIDE RIGHT	1	
13	5519	SCREW	1	
14	202875	WASHER	1	
★15	211402	THREAD GUIDE CENTER	1	
16	5441	SCREW	1	
17	201089	THREAD GUIDE (RIGHT)	1	
18	5519	SCREW	1	
19	202875	WASHER	1	
20	202859	THREAD GUIDE (CENTER)	1	
21	5519	SCREW	1	
22	202875	WASHER	1	
23	210347	LOWER LOOPER THREAD GUIDE	1	
24	4009-1	SCREW	1	
25	210091	CONNECTION/LOWER LOOPER DRIVE	1	
26	5376	SCREW	4	
27	210093	BLOCK/CONNECTION	1	
28	210585	WASHER	1	
29	1231	SCREW	1	
30	210092	GUIDE/CONNECTION	1	
31	5546	SCREW	1	
32	202286	WASHER	1	
★33	210736	CRANK/LOWER LOOPER DRIVE/H LFT	1	
34	2022-4	SCREW	2	
★35	204789	THRUST WASHER	1	
★36	210734	CRANK/LOWER LOOPER DRIVE/S LFT	1	
37	5457	SCREW	1	
★38	210122	WASHER	1	
39	210281	SHAFT/LOWER LOOPER LEVER	1	
40	210123	SHAFT/LOWER LOOPER LEVER	1	
41	204107	THRUST WASHER	1	
42	2193	SCREW	1	
43	202286	WASHER	1	
44	210125	BUSHING	1	
45	210124	BUSHING	1	
46	210586	OIL SEAL	1	
47	210725	LOWER LOOPER LEVER/FOR 210724	1	
48	210126	LOWER LOOPER LEVER	1	
49	5487	SCREW	1	
☆50	XXXXXX	LOWER LOOPER	1	
51	1175-2	SCREW	1	
52	210353	THREAD GUIDE (LEFT)	1	
★53	211401	LOWER LOOPER THREAD TAKEUP	1	
54	210348	LOWER LOOPER THREAD TAKEUP	1	
55	2902	SCREW	1	



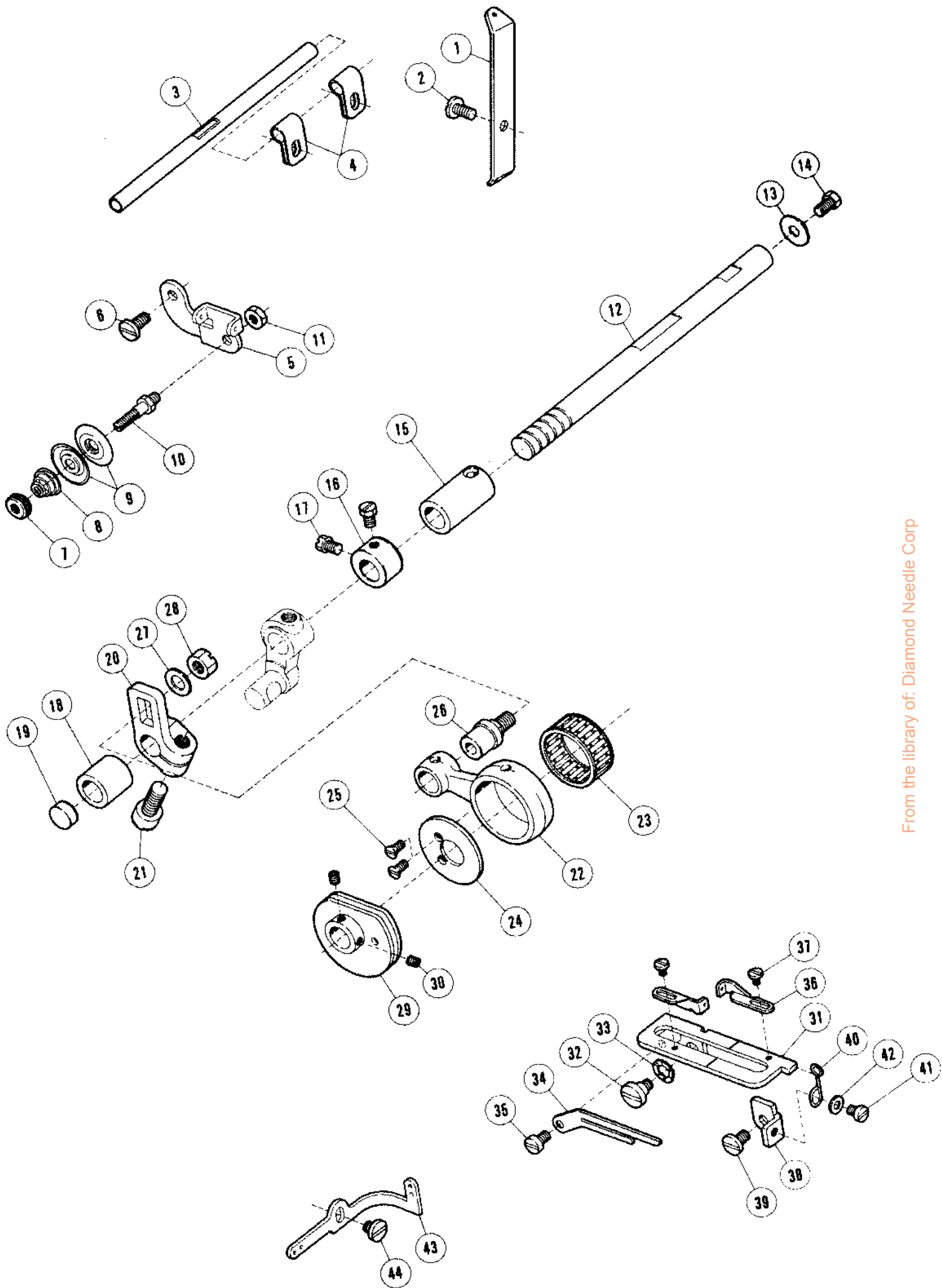


**PLEASE NOTE:**

☆ This is one of the gauge parts. Please confirm the correct part by the charts on pages 78-147 or by the lists on pages 148-160.

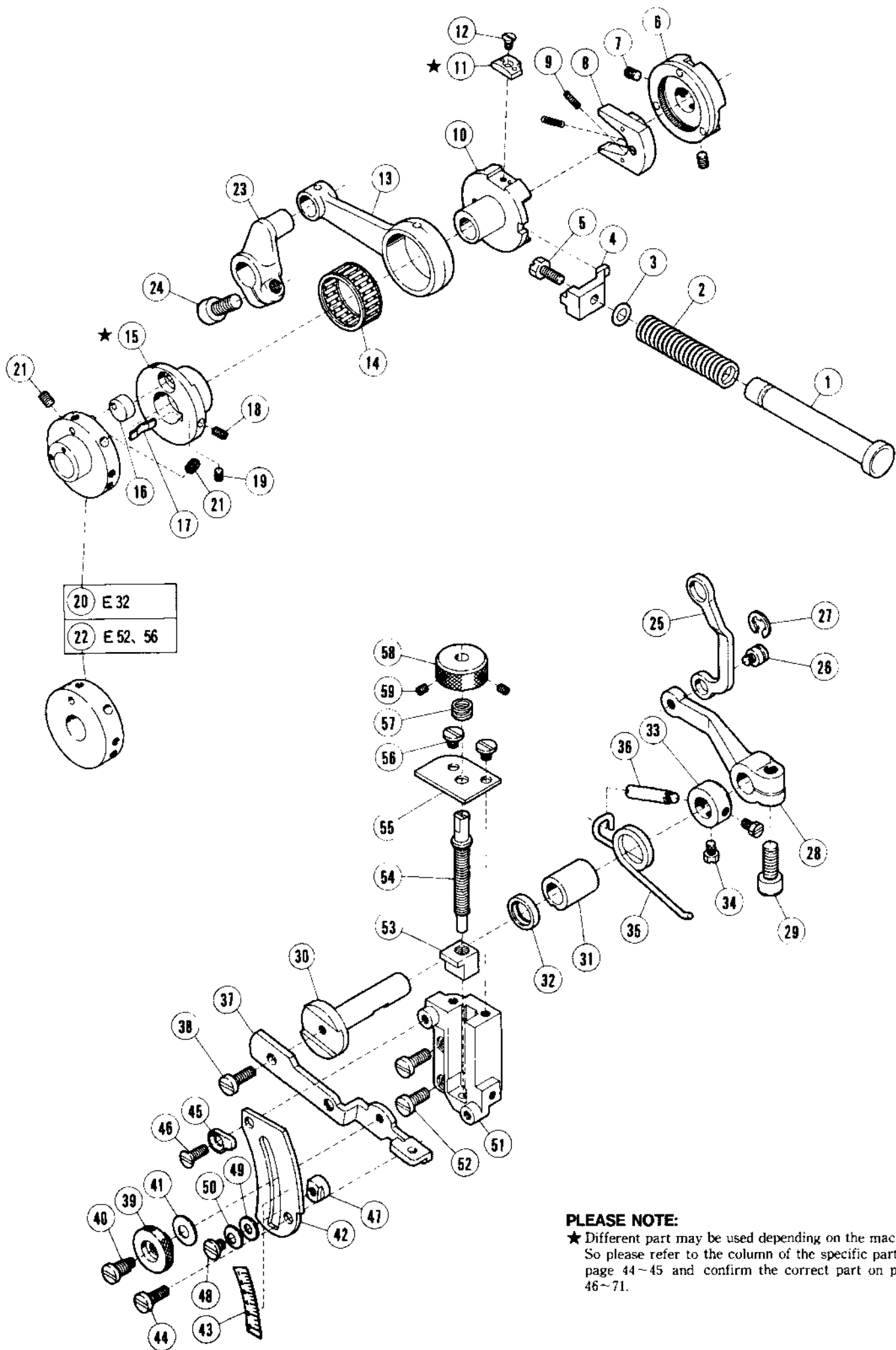
## E32 CHAINSTITCH LOOPER DRIVE MECHANISM (1)

REF. NO.	PART NO.	NAME	QT.	MEMO
1	210298	LOOPER HOLDER	1	
2	5487	SCREW	1	
3	204293	WASHER	1	
☆ 4	210357	CHAINSTITCH LOOPER	1	
5	1175-2	SCREW	1	
6	210299	LOOPER REGULATOR	1	
7	2922	SCREW	1	
8	210294	CRANK/LOOPER DRIVE	1	
9	5457	SCREW	1	
10	204293	WASHER	1	
11	208194	LINK/LOOPER DRIVE	1	
12	208195	PIN	2	
13	5328	SCREW	2	
14	5084	SCREW	1	
15	202176	OIL WICK	2	
16	208196	SHAFT/LOOPER DRIVE	1	
17	210296	BUSHING	1	
18	210297	BUSHING	1	
19	210586	OIL SEAL	1	
20	210288	LEVER/LOOPER AVOID	1	
21	5461	SCREW	2	
22	210289	BLOCK	1	
23	208028	WASHER	1	
24	208029	COLLAR	1	
25	5084	SCREW	1	
26	5353	NUT	1	



## E32 CHAINSTITCH LOOPER DRIVE MECHANISM (2)

REF. NO.	PART NO.	NAME	QT.	MEMO
1	210309	LOOPER THREAD GUIDE REAR	1	
2	5458	SCREW	1	
3	210310	LOOPER THREAD TUBE	1	
4	206115	TUBE CLAMP	2	
5	211386	BRACKET/LOOPER THREAD TENSION	1	
6	5459	SCREW	1	
7	5526	NUT	1	
8	211388	TENSION SPRING	1	
9	137108	DISC	2	
10	211387	TENSION POST	1	
11	3044	NUT	1	
12	212029	SHAFT/LOOPER AVOID	1	
13	204107	THRUST COLLAR	1	
14	2193	SCREW	1	
15	210125	BUSHING	1	
16	210293	COLLAR	1	
17	5084	SCREW	2	
18	210292	BUSHING	1	
19	205088	PLUG	1	
20	210287	CRANK/LOOPER AVOID	1	
21	5457	SCREW	1	
22	210284	CONNECTION/LOOPER AVOID	1	
23	205015	NEEDLE BEARING	1	
24	210283	COLLAR	1	
25	5495	SCREW	2	
26	210285	PIN	1	
27	202433	WASHER	1	
28	5455	NUT	1	
29	210300	LOOPER THREAD TAKEUP	1	
30	5292	SCREW	2	
31	210304	LOOPER THREAD GUIDE BRACKET	1	
32	5494	SCREW	1	
33	210307	WASHER	1	
34	210302	GUIDE/LOOPER THREAD TAKEUP	1	
35	1216	SCREW	1	
36	210303	EYELET/LOOPER THREAD TAKEUP	2	
37	5077	SCREW	2	
38	210308	STOPPER	1	
39	5453	SCREW	1	
40	210306	SPRING	1	
41	1234	SCREW	1	
42	137906	WASHER	1	
43	210311	LOOPER THREAD GUIDE FRONT	1	
44	4009-1	SCREW	1	

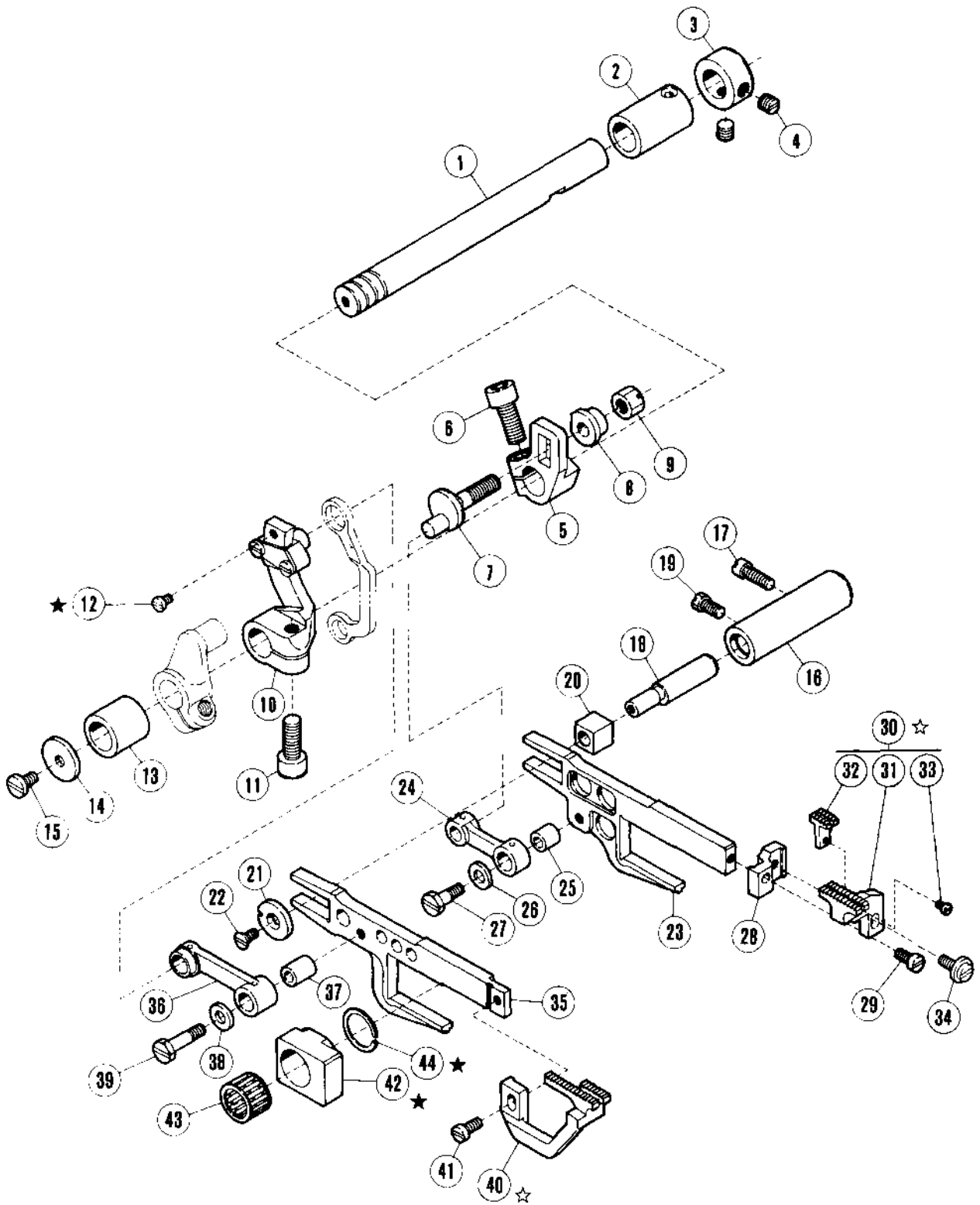


**PLEASE NOTE:**

★ Different part may be used depending on the machine. So please refer to the column of the specific parts on page 44-45 and confirm the correct part on pages 46-71.

# FEED MECHANISM (1)

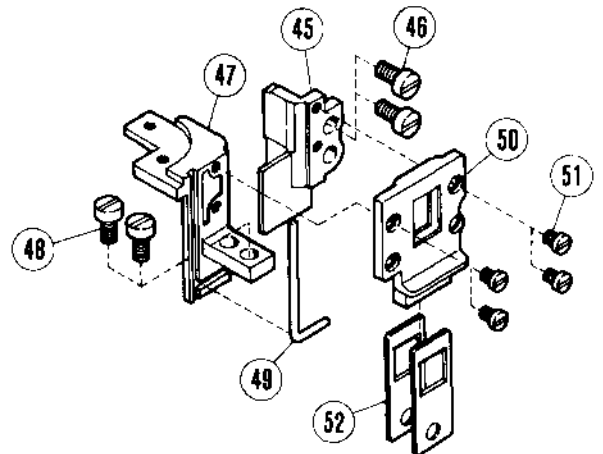
REF. NO.	PART NO.	NAME	QT.	MEMO
1	210137	PUSH BUTTON	1	
2	210139	SPRING	1	
3	204185	O RING	1	
4	210138	STOPPER	1	
5	2193	SCREW	1	
6	210136	RATCHET WHEEL COMPLETE	1	
7	5461	SCREW	2	
8	208411	FEED REGULATING RATCHET	1	
9	208415	SPRING	2	
10	211802	FEED REGULATING ECCENTRIC	1	
★11	211804	STOPPER	1	
12	5437	SCREW	1	
13	210140	CONNECTION/FEED DRIVE	1	
14	204084	NEEDLE BEARING	1	
★15	210127	FEED ECCENTRIC	1	
16	210129	GUIDE/FEED ECCENTRIC	1	
17	210130	SPRING	1	
18	5427	SCREW	1	
19	5292	SCREW	1	
20	210282	LOOPER AVOID ECCENTRIC	1	
21	5461	SCREW	2	
22	210128	FEED ECCENTRIC RETAINER	1	
23	210141	CRANK/FEED DRIVE	1	
24	5457	SCREW	1	
25	210161	LINK/DIFF. FEED REGULATING	1	
26	5316	SCREW	1	
27	202522	RING	1	
28	210162	RIGHT LEVER/DIFF. FEED REG.	1	
29	5457	SCREW	1	
30	210163	SHAFT/DIFF. FEED REGULATING	1	
31	210164	BUSHING	1	
32	204052A	OIL SEAL	1	
33	204754	THRUST COLLAR	1	
34	5084	SCREW	2	
35	204756	SPRING/DIFF. FEED REG.	1	
36	204757	LATCH SCREW	1	
37	210166	LEFT LEVER/DIFF. FEED REG.	1	
38	5117	SCREW	1	
39	210167	THUMB NUT	1	
40	5486	SCREW	1	
41	211301	SPRING WASHER	1	
42	210168	DIFF. FEED REG. GUIDE	1	
43	210170	INDICATION PLATE	1	
44	5117	SCREW	1	
45	210700	STOPPER	1	
46	1732	SCREW	1	
47	210171	STOPPER	1	
48	2905	SCREW	1	
49	201185	WASHER	1	
50	201191	WASHER	1	
51	211314	DIFF FEED REG. BASE	1	
52	5118	SCREW	2	
53	210535	BLOCK/DIFF. FEED REGULATING	1	
54	210172	DIFF FEED REGULATING BAR	1	
55	210534	GUIDE/DIFF. FEED REG. BAR	1	
56	5091	SCREW	2	
57	210533	SPRING	1	
58	210532	THUMB NUT	1	
59	5292	SCREW	2	



**PLEASE NOTE:**

★ Different part may be used depending on the machine. So please refer to the column of the specific parts on page 44~45 and confirm the correct part on pages 46~71.

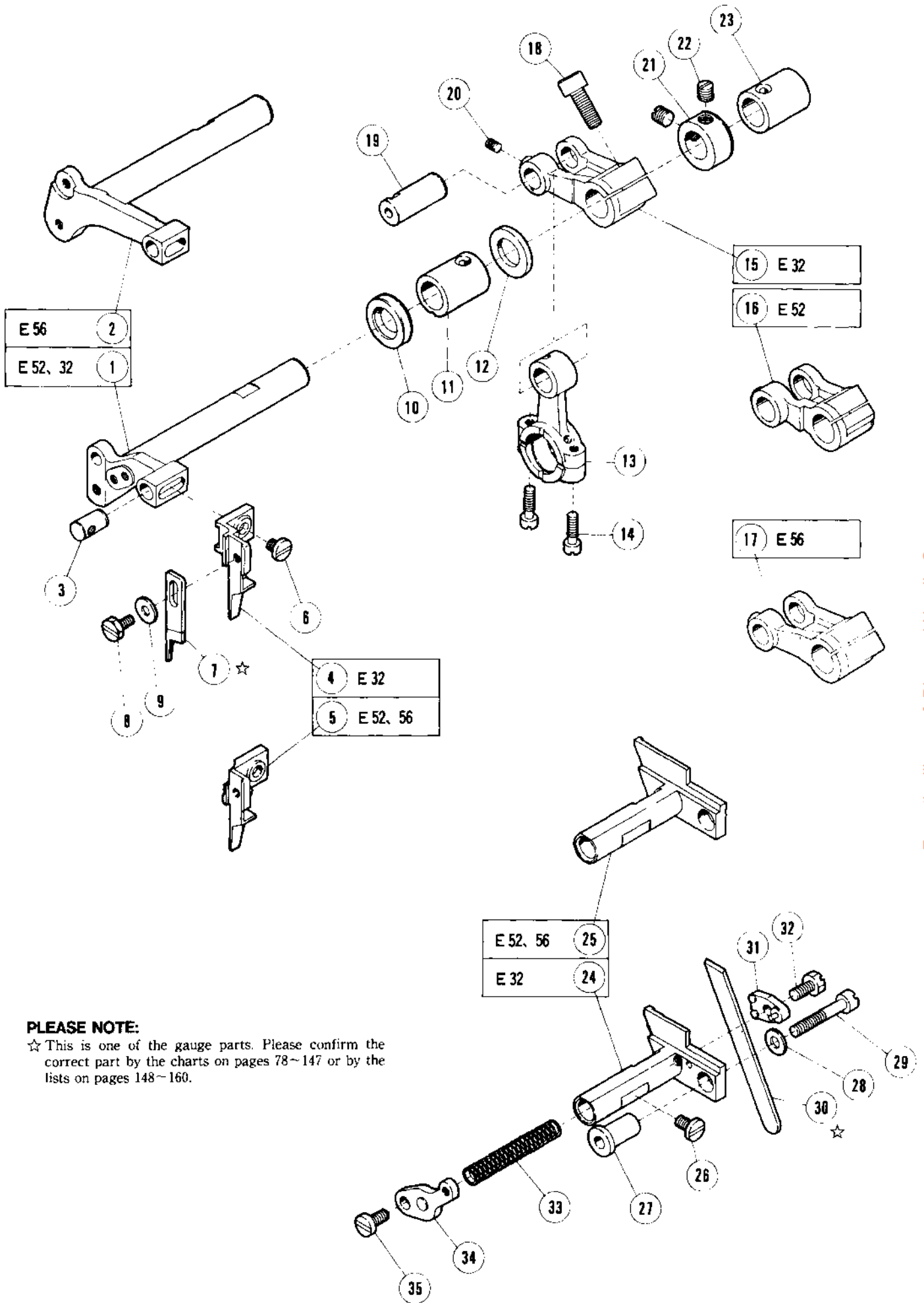
☆ This is one of the gauge parts. Please confirm the correct part by the charts on pages 78~147 or by the lists on pages 148~160.



## FEED MECHANISM(2)

REF. NO.	PART NO.	NAME	QT.	MEMO
1	212028	FEED SHAFT	1	
2	210102	BUSHING	1	
3	201635	COLLAR	1	
4	5060	SCREW	2	
5	210144	CRANK/MAIN FEED	1	
6	5457	SCREW	1	
7	210145	PIN	1	
8	210146	WASHER	1	
9	5455	NUT	1	
10	210152	CRANK COMPLETE/DIFF. FEED	1	
11	5457	SCREW	1	
12	5346	SCREW	1	
13	210143	BUSHING	1	
14	210100	WASHER	1	
15	4009-1	SCREW	1	
16	204129A	BUSHING	1	
17	2133-1	SCREW	1	
18	204128A	FEED BAR PIN	1	
19	5084	SCREW	1	
20	205418	BLOCK/FEED BAR GUIDE	1	
21	204439A	WASHER	1	
22	5317	SCREW	1	
23	210154	MAIN FEED BAR	1	
24	210147	LINK/MAIN FEED	1	
25	210148	BUSHING	1	
26	204115	THRUST WASHER	1	
27	5489	SCREW	1	
28	210343	BRACKET/MAIN FEED DOG	1	
29	1175-2	SCREW	1	
☆30	XXXXXX	MAIN FEED DOG COMPLETE	1	
☆31	XXXXXX	MAIN FEED DOG	1	
☆32	XXXXXX	AUX. FEED DOG	1	
33	5492	SCREW	1	
34	5590	SCREW	1	
35	210155	DIFF FEED BAR	1	
36	210153	LINK/DIFF. FEED	1	
37	204114	BUSHING	1	
38	208245	WASHER	1	
39	5231	SCREW	1	
☆40	XXXXXX	DIFF. FEED DOG	1	
41	1175-2	SCREW	1	
★42	210156	BLOCK/FEED BAR LIFT	1	
43	206128	NEEDLE BEARING	1	
★44	206129	STOP RING	1	
45	210157	FEED BAR GUIDE RIGHT	1	
46	5205	SCREW	2	
47	210158	FEED BAR GUIDE LEFT	1	
48	2902	SCREW	2	
49	208168	O RING	1	
50	210160	GUIDE/FEED BAR OIL SEAL	1	
51	5346	SCREW	4	
52	210159	FEED BAR OIL SEAL	2	



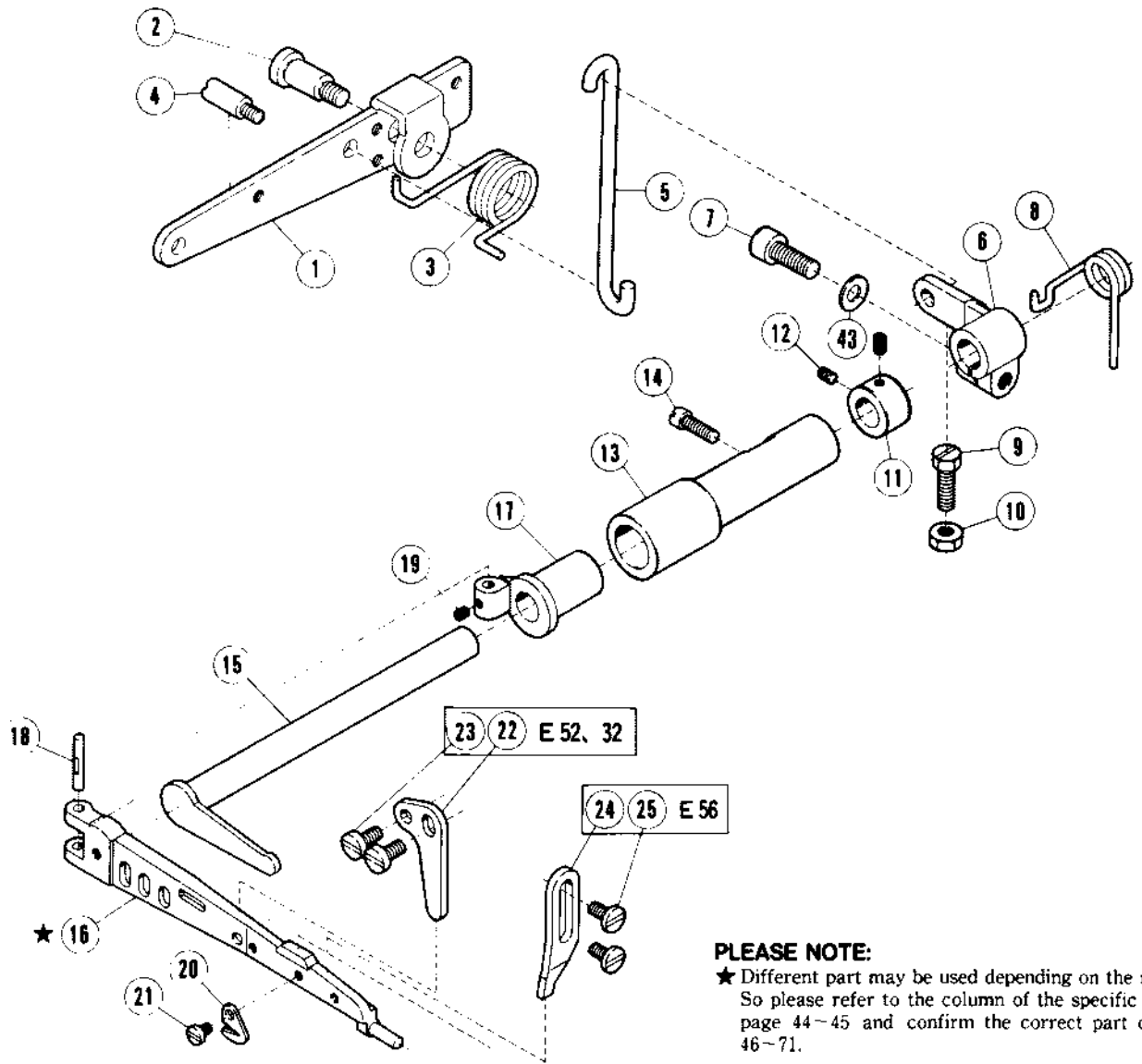


**PLEASE NOTE:**

☆ This is one of the gauge parts. Please confirm the correct part by the charts on pages 78~147 or by the lists on pages 148~160.

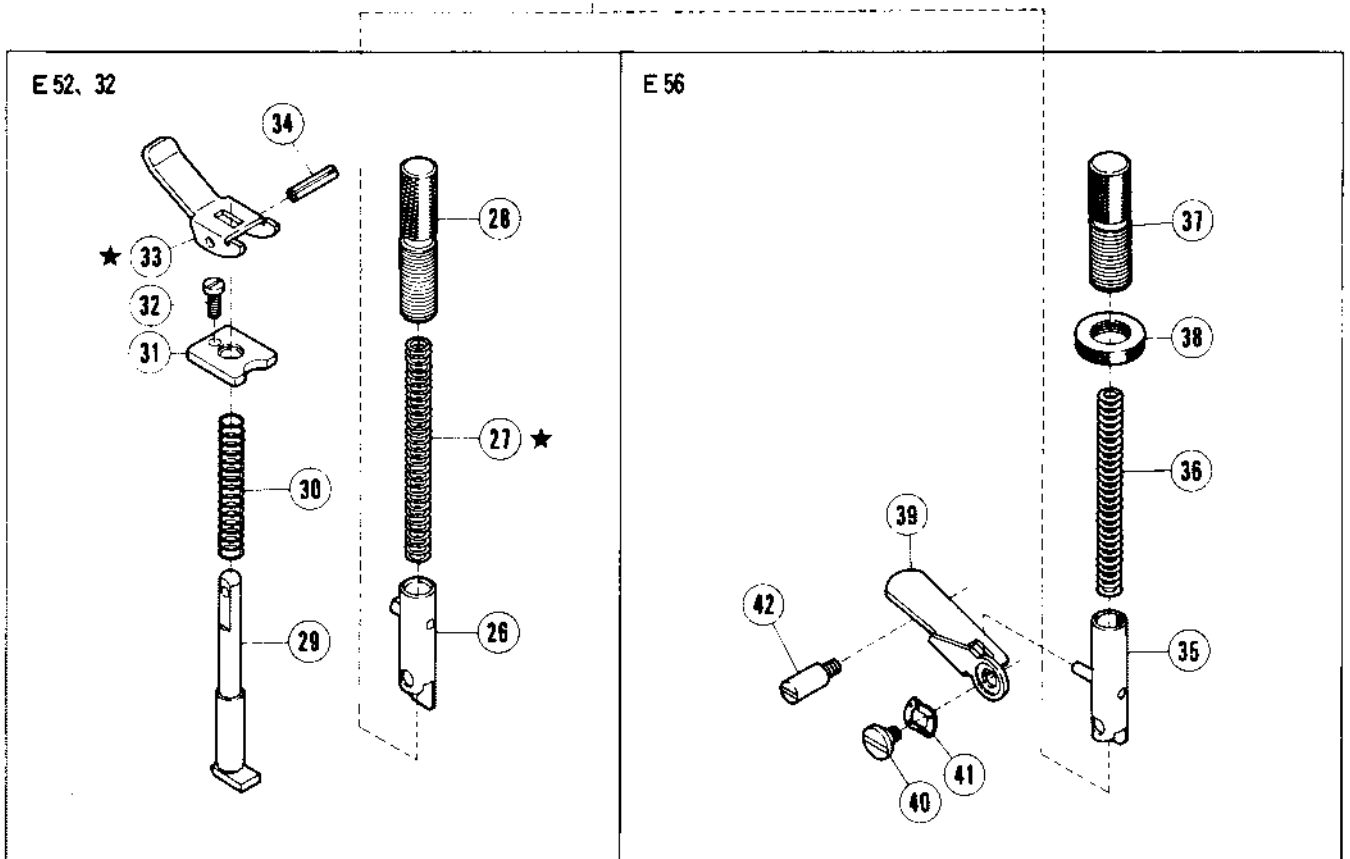
# KNIFE DRIVE MECHANISM

REF. NO.	PART NO.	NAME	QT.	MEMO
1	210269	UPPER KNIFE LEVER	1	
2	210176	UPPER KNIFE LEVER	1	
3	208579	PIN	1	
4	210315B	UPPER KNIFE CLAMP	1	
5	210178A	UPPER KNIFE CLAMP		
6	5118	SCREW	1	
☆ 7	XXXXXX	UPPER KNIFE	1	
8	5088	SCREW	1	
9	211376	WASHER	1	
10	210069	OIL SEAL	1	
11	210068	BUSHING	1	
12	206180	THRUST WASHER	1	
13	210173	CONNECTION/UPPER KNIFE DRIVE	1	
14	5376	SCREW	2	
15	210314	CRANK/UPPER KNIFE DRIVE	1	
16	210268	CRANK/UPPER KNIFE DRIVE	1	
17	210174	CRANK/UPPER KNIFE DRIVE		
18	5457	SCREW	1	
19	210175	PIN	1	
20	5461	SCREW	1	
21	201635	COLLAR	1	
22	5060	SCREW	2	
23	210067	BUSHING	1	
24	210316	LOWER KNIFE HOLDER	1	
25	210179	LOWER KNIFE HOLDER	1	
26	4009-1	SCREW	1	
27	210180	GUIDE LOWER KNIFE HOLDER	1	
28	201185	WASHER	1	
29	5094	SCREW	1	
☆ 30	XXXXXX	LOWER KNIFE	1	
31	210184	CLAMP/LOWER KNIFE	1	
32	2193	SCREW	1	
33	202340	SPRING	1	
34	210183	SPRING RETAINER	1	
35	5117	SCREW	1	



**PLEASE NOTE:**

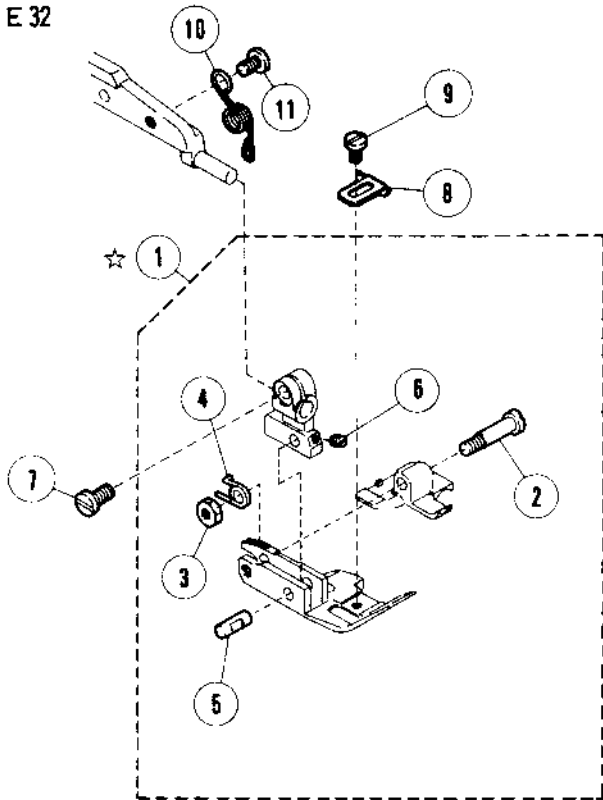
★ Different part may be used depending on the machine. So please refer to the column of the specific parts on page 44-45 and confirm the correct part on pages 46-71.



# PRESSER FOOT MECHANISM (1)

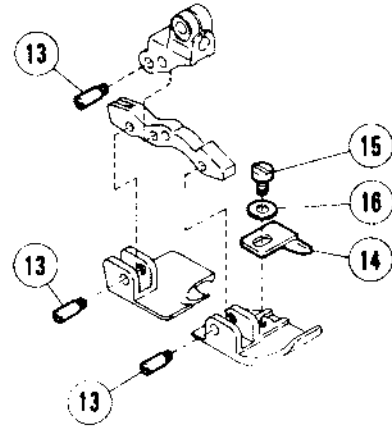
REF. NO.	PART NO.	NAME	QT.	MEMO
1	211636	FOOT LIFT LEVER	1	
2	2285	SCREW	1	
3	211637	SPRING	1	
4	5481	SCREW	1	
5	210335	LINK/FOOT LIFT LEVER	1	
6	210329	INTERMEDIATE LEVER	1	
7	5457	SCREW	1	
8	210330	SPRING	1	
9	5276	SCREW	1	
10	5426	NUT	1	
11	210728	THRUST COLLAR	1	
12	5292	SCREW	2	
13	210727	BUSHING	1	
14	2133-1	SCREW	1	
15	210326	SHAFT/FOOT LIFT	1	
★16	210321	PRESSER ARM	1	
17	210322	HINGE/PRESSER ARM	1	
18	210323	PIN	1	
19	5292	SCREW	1	
20	202451	CHAINCUTTER	1	
21	2921	SCREW	1	
22	210517	STOPPER/PRESSER ARM	1	
23	5117	SCREW	2	
24	210325	STOPPER/PRESSER ARM	1	
25	4009-1	SCREW	2	
26	208537	PRESSER ARM GUIDE	1	
★27	210337	SPRING	1	
28	208774	THUMB SCREW	1	
29	202645	PLUNGER	1	
30	201395	SPRING	1	
31	208599	BUSHING	1	
32	5029	SCREW	1	
★33	208598	HAND LIFT LEVER	1	
34	202647A	PIN	1	
35	210336	PRESSER ARM GUIDE	1	
36	210337	SPRING	1	
37	210324	ADJUST SCREW	1	
38	210328	ADJUST SCREW NUT	1	
39	210338	HAND LIFT LEVER	1	
40	5554	SCREW	1	
41	210307	WASHER	1	
42	5232	PIN-SCREW	1	
43	207924	WASHER	1	

E 32

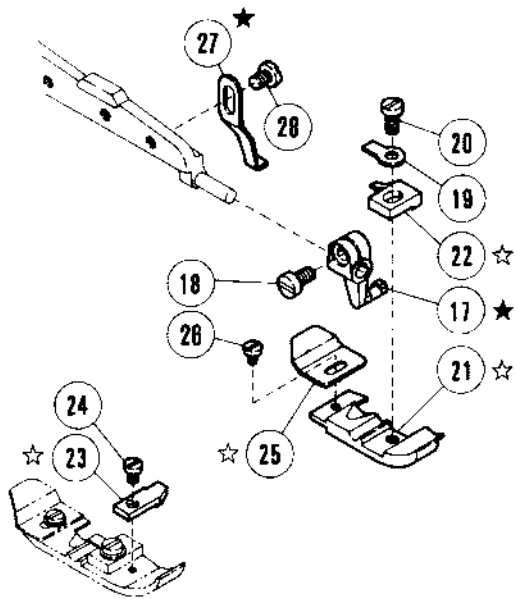


12 ☆

E32 TRACTOR FOOT

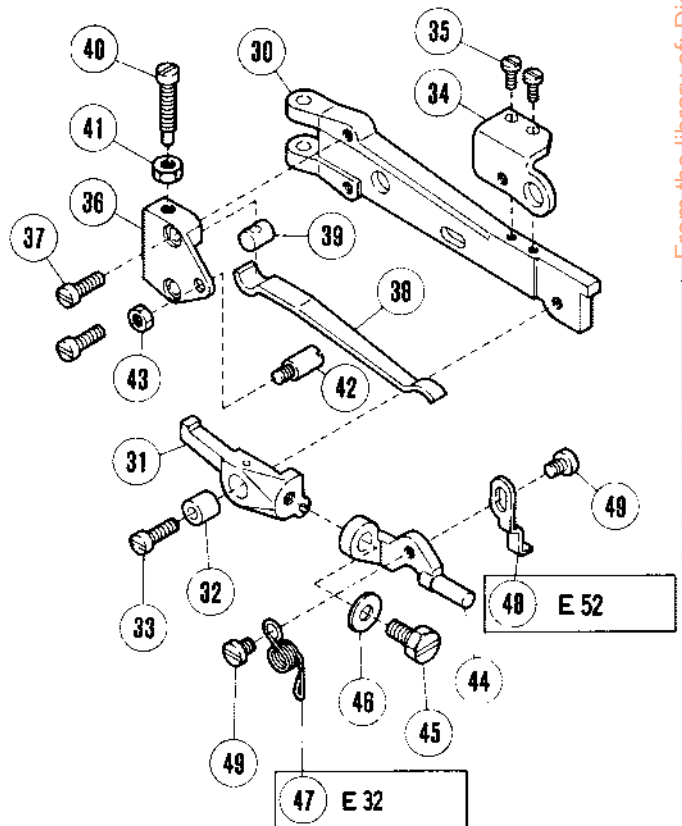


E 52, 56



29

E32/E52 FLOATING PRESSER ARM



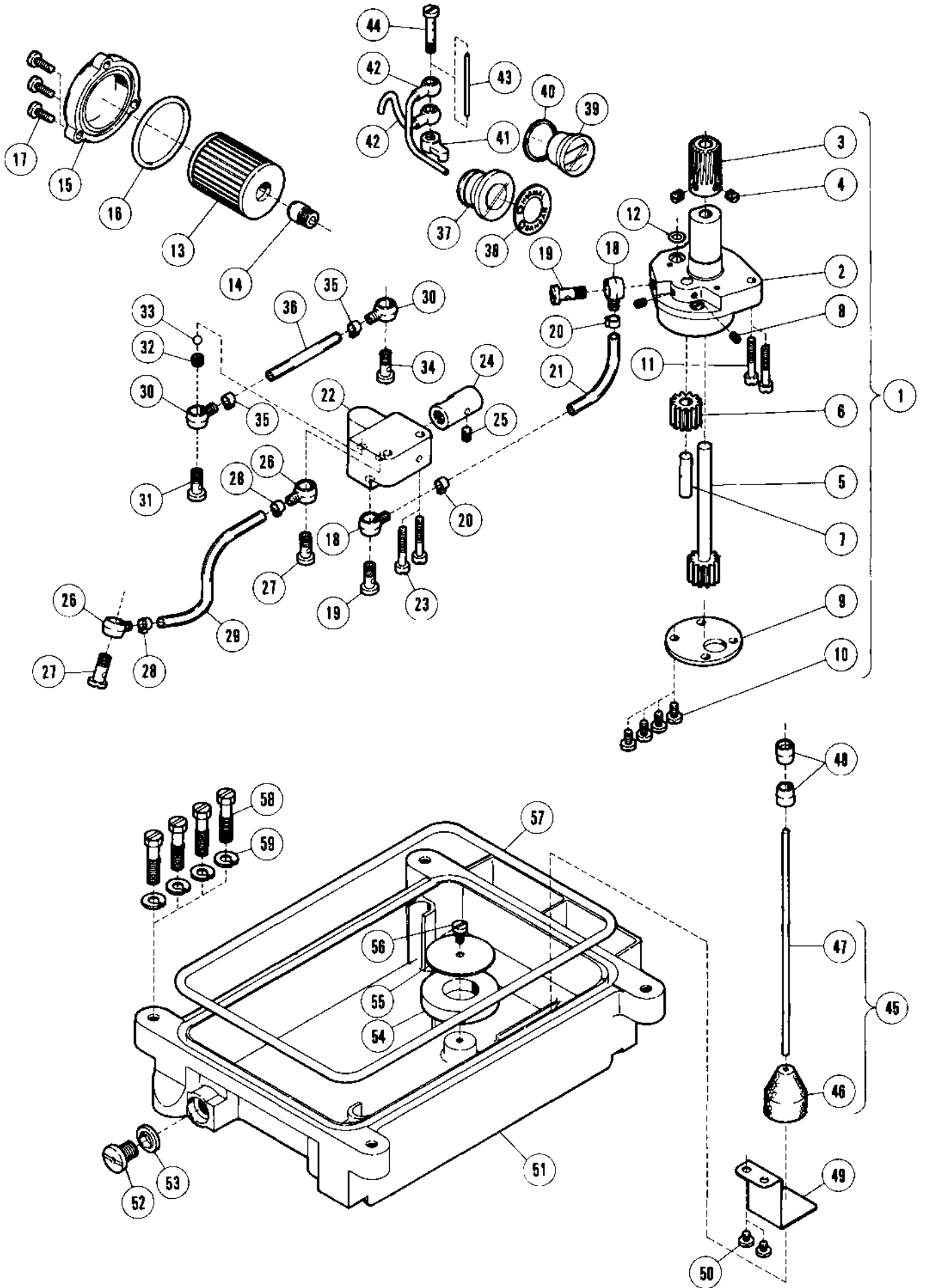
**PLEASE NOTE:**

★ Different part may be used depending on the machine. So please refer to the column of the specific parts on page 44~45 and confirm the correct part on pages 46~71.

☆ This is one of the gauge parts. Please confirm the correct part by the charts on pages 78~147 or by the lists on pages 148~160.

## PRESSER FOOT MECHANISM (2)

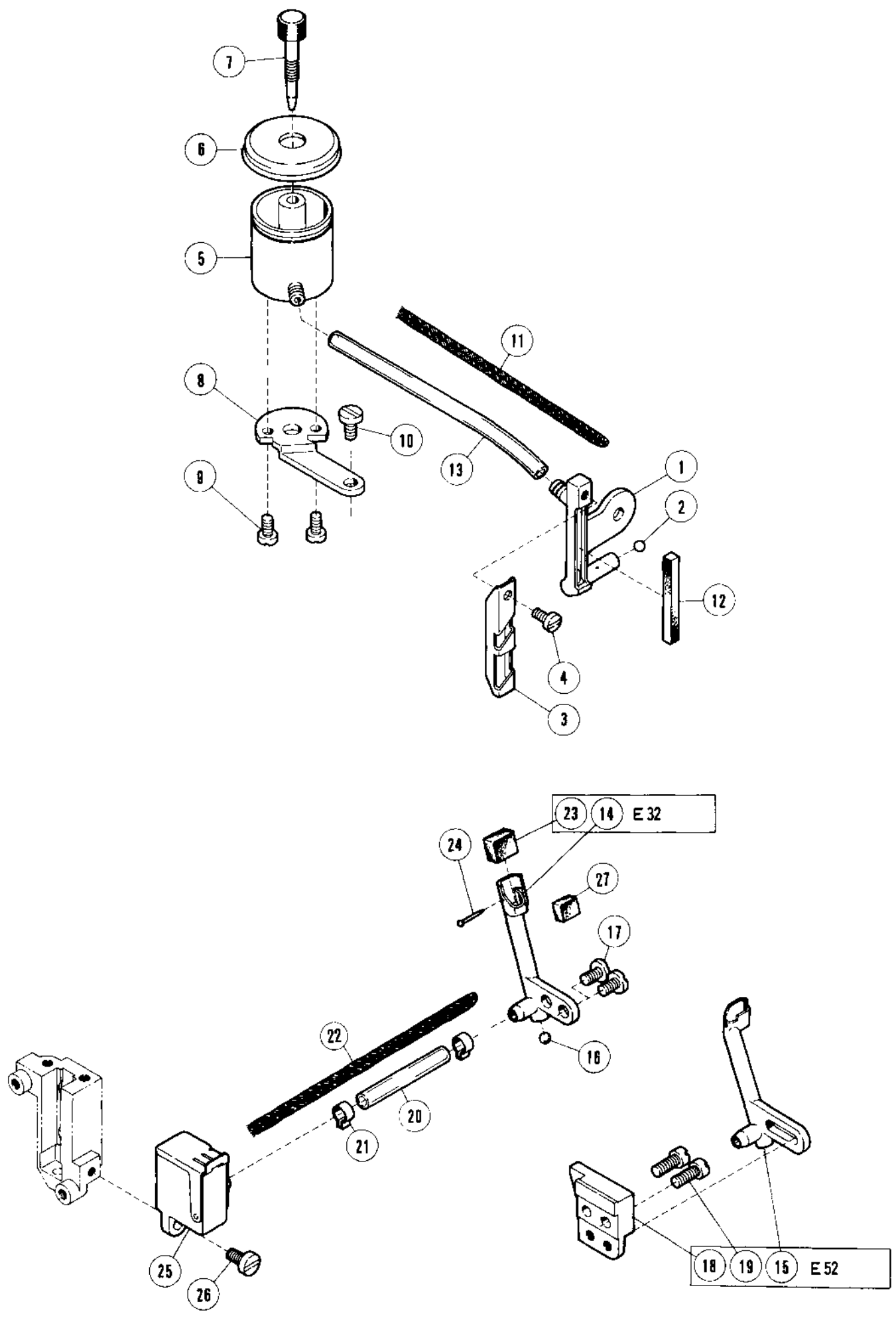
REF. NO.	PART NO.	NAME	QT.	MEMO
☆ 1	XXXXXX	PRESSER FOOT COMPLETE	1	
2	208528	HINGE PIN	1	
3	5409	NUT	1	
4	208913	SPRING	1	
5	208527	PIN	1	
6	5223	SCREW	1	
7	5328	SCREW	1	
8	208531	FABRIC GUARD	1	
9	5030	SCREW	1	
10	210341	PRESSER FOOT SPRING	1	
11	2921	SCREW	1	
☆12	XXXXXX	TRACTOR FOOT COMPLETE	1	
13	208958	PIN-SCREW	1	
14	204683	FABRIC GUARD	1	
15	5157	SCREW	1	
16	202875	WASHER	1	
★17	208525	BRACKET/PRESSER FOOT	1	
18	5328	SCREW	1	
19	201156	SET PLATE/PRESSER FOOT	1	
20	5089	SCREW	1	
☆21	XXXXXX	PRESSER FOOT		
☆22	XXXXXX	FINGER	1	
☆23	XXXXXX	FABRIC GUARD	1	
24	1231	SCREW	1	
☆25	XXXXXX	UNCURLER	1	
26	5030	SCREW	1	
★27	210340	STOPPER	1	
28	2921	SCREW	1	
29	211568	FLOATING PRESSER ARM	1	
30	211509	PRESSER ARM	1	
31	211510	LEVER	1	
32	211511	BUSHING	1	
33	5003	SCREW	1	
34	211512	LEVER HOLDER	1	
35	2922	SCREW	2	
36	211513	BRACKET	1	
37	5003	SCREW	2	
38	211514	FLAT SPRING	1	
39	211515	PIN	1	
40	5538	SCREW	1	
41	3091	NUT	1	
42	5539	SCREW	1	
43	5409	NUT	1	
44	211516	BRACKET	1	
45	2193	SCREW	1	
46	201185	WASHER	1	
47	211517	SPRING	1	
48	209314	STOPPER	1	
49	2921	SCREW	1	



# LUBRICATING MECHANISM

REF. NO.	PART NO.	NAME	QT.	MEMO
1	211532	GEAR PUMP COMPLETE	1	
2	210188	GEAR PUMP	1	
3	211531	WORM WHEEL	1	
4	5060	SCREW	2	
5	208687	PUMP GEAR RIGHT	1	
6	201295	PUMP GEAR LEFT	1	
7	204184	LEFT GEAR SHAFT	1	
8	1458	SCREW	2	
9	201293A	PLATE	1	
10	5117	SCREW	4	
11	5095	SCREW	2	
12	204185	O RING	1	
13	206233	OIL FILTER	1	
14	210200	BRACKET/OIL FILTER	1	
15	210201-FD	OIL FILTER CAP	1	
16	206431	O RING	1	
17	5118	SCREW	3	
18	200136	OIL SPLASH JOINT	2	
19	200152	OIL SPLASH SCREW	2	
20	202199	TUBE CLAMP	2	
21	210701	BY-PASS PIPE	1	
22	210207	BY-PASS COMPLETE	1	
23	5095	SCREW	2	
24	205635	BY-PASS VALVE	1	
25	1458	SCREW	1	
26	200136	OIL SPLASH JOINT	2	
27	200152	OIL SPLASH SCREW	2	
28	202199	TUBE CLAMP	2	
29	205763	OIL TUBE	1	
30	200136	OIL SPLASH JOINT	2	
31	200152	OIL SPLASH SCREW	1	
32	210744	BRACKET/OIL FLOW VALVE	1	
33	200144	BALL	1	
34	200152	OIL SPLASH SCREW	1	
35	202199	TUBE CLAMP	2	
36	210208	OIL TUBE	1	
37	210198	OIL MONITOR COMPLETE	1	
38	210199	NAME PLATE/OIL MONITOR	1	
39	210190	OIL LEVEL GAUGE	1	
40	211369	WASHER/OIL LEVEL GAUGE	1	
41	210202	LUBRICATION BLOCK	1	
42	210203	OIL DISTRIBUTOR	2	
43	210205	OIL FLOW ADJUST PIN	1	
44	210204	SCREW	1	
45	210193	INDICATOR COMPLETE	1	
46	210191	FLOAT	1	
47	210192	INDICATOR	1	
48	210194	INDICATOR GUIDE	2	
49	210510	INDICATOR SUPPORT	1	
50	2905	SCREW	2	
51	210211	OIL RESERVOIR	1	
52	5138B	SCREW	1	
53	202287A	PACKING	1	
54	210520	MAGNET	1	
55	210521	MAGNET BRACKET	1	
56	5117	SCREW	1	
57	210212	O RING	1	
58	5133	BOLT	4	
59	202045	WASHER	4	

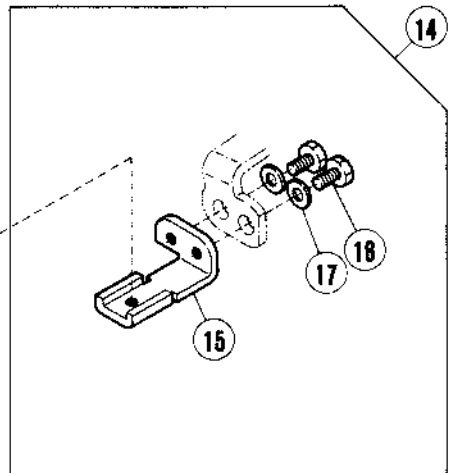
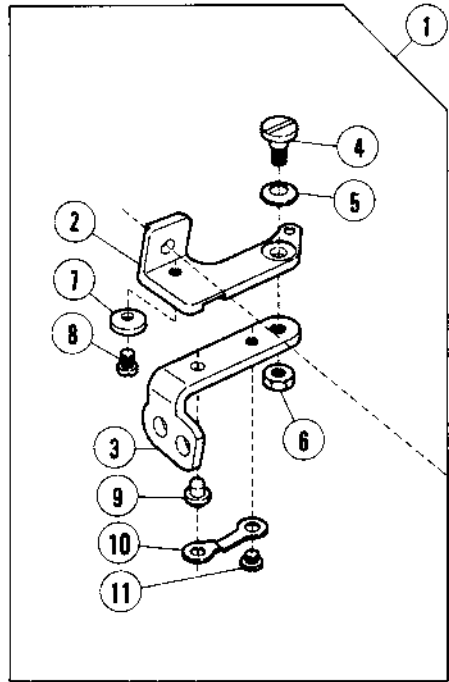
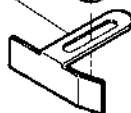
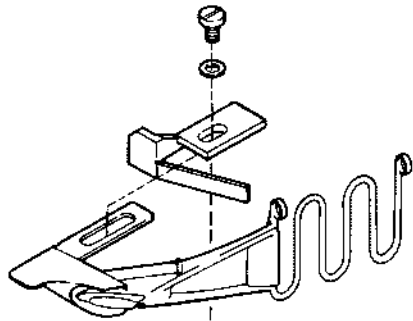




## H.R. DEVICE

REF. NO.	PART NO.	NAME	QT.	MEMO
1	211315-ME	NEEDLE THREAD LUBRICATOR	1	
2	210214	PLUG	1	
3	211316	THREAD GUIDE	1	
4	1202	SCREW	1	
5	202476-1	SILICONE OIL RESERVOIR	1	
6	202476-4	CAP	1	
7	202476-3	SILICONE OIL REGULATOR	1	
8	211317	BRACKET	1	
9	1202	SCREW	2	
10	5117	SCREW	1	
11	202176	OIL WICK	1	
12	211318	OIL FELT	1	
13	211319	OIL TUBE	1	
14	210317	NEEDLE COOLER	1	
15	210213	NEEDLE COOLER	1	
16	210214	PLUG	1	
17	5091	SCREW	2	
18	210215	BRACKET/NEEDLE COOLER	1	
19	5002	SCREW	2	
20	211639	OIL TUBE	1	
21	202199	TUBE CLAMP	2	
22	202176	OIL WICK	1	
23	204466	OIL FELT	1	
24	210766	PIN	1	
25	210539	SILICONE RESERVOIR COMPLETE	1	
26	5459	SCREW	1	
27	240178	FELT	1	

E 52, E 56	20
E 32	21



## FABRIC EDGE GUIDE

REF. NO.	PART NO.	NAME	QT.	MEMO
1	210685	CLOTH GUIDE BRACKET ASSEMBLY	1	
2	210680	CLOTH GUIDE BRACKET	1	
3	210681	HINGE	1	
4	5184	SCREW	1	
5	201191	WASHER	1	
6	3044	NUT	1	
7	210682	STOPPER	1	
8	5053	SCREW	1	
9	210683	HINGE PIN	1	
10	210684	HINGE SPRING	1	
11	2906	SCREW	1	
12	5118	SCREW	1	
13	202286	WASHER	1	
14	210686	BRACKET COMPLETE/EDGE GUIDE	1	
15	210687	EDGE GUIDE BRACKET	1	
16	5088	SCREW	2	
17	167066	WASHER	2	
18	1202	SCREW	1	
19	167066	WASHER	1	
20	204667	EDGE GUIDE	1	
21	201233A	EDGE GUIDE	1	

**SPECIFIC PARTS ①**  
**GAUGE PARTS ②**

<b>E32</b>	<b>①</b>	<b>②</b>
E32-355	52-53	96-97
" 359	"	"
" 555	"	"
" 559	"	"
515-E32-410 /211-	————	78-79
" 410 /212-	————	"
" 410A /212-	50-51	"
" 410B /212-	"	"
" 411 /232-	————	82-83
" 420 /213-	————	80-81
" 420A /213-	50-51	"
" 420B /213-	"	"
" 430 /233-	————	82-83
" 431 /233-	50-51	"
" 440 /255-	————	84-85
" 450 /335-	50-51	86-87
" 451 /355-	"	"
" 452 /435-	"	"
" 453 /455-	"	"
" 540 /233-	46-47	88-89
" 541 /335-	46-49	"
" 542 /253-	46-47	90-91
" 542P1/253-	46-49	92-93
" 542P2/253-	"	"
" 543 /355-	"	90-91
" 550 /213-	52-53	94-95
" 551 /233-	"	"

From the library of: Diamond Needle Corp

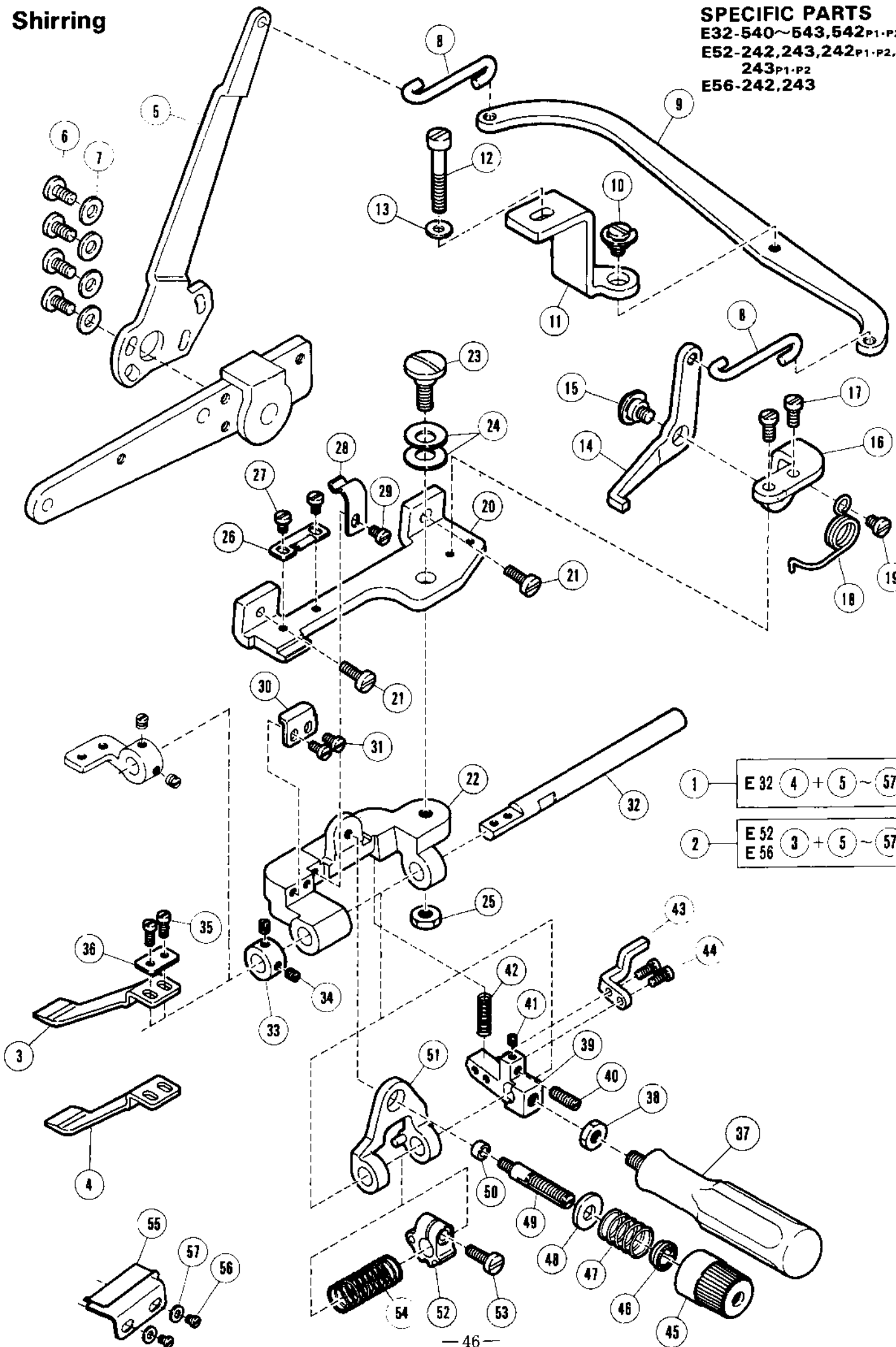
**SPECIFIC PARTS ①**  
**GAUGE PARTS ②**

<b>E52</b>	<b>①</b>	<b>②</b>
504-E52-121 /233-W	60-61	98-99
" 121 /243-N	"	"
" 121T /243-N	"	"
" 130 /253-W	———	102-103
" 130 /263-N	———	100-101
" 130P1/253-W	56-57	120-121
" 130P2/253-W	"	"
" 130T /263-N	60-61	100-101
512-E52-131 /353-W	"	104-105
514-E52-131 /353-W	"	"
" 131P1/353-W	56-57	120-121
" 131P2/353-W	"	"
" 132 /363-W	60-61	104-105
" 133 /363-N	"	"
" 133Z /363-N	———	"
504-E52-134 /233-W	———	114-115
512-E52-135 /373-W	60-61	106-107
504-E52-136 /253-W	———	102-103
514-E52-137 /323-N	60-61	108-109
" 140 /385-W	"	106-107
504-E52-141 /463-W	62-63	110-111
512-E52-142 /463-W	"	"
514-E52-142 /463-W	"	"
505-E52-210 /223-N	54-55	112-113
" 210C /223-N	"	"
503-E52-211 /223-N	"	"
505-E52-212 /223-N	"	"
503-E52-220 /233-W	66-67	114-115
504-E52-221 /365-W	———	116-117
503-E52-223 /203-W	66-67	"
504-E52-227 /485-W	———	"
503-E52-230 /233-W	———	118-119
504-E52-230 /233-W	———	"
" 231 /223-N	———	"
" 242 /253-W	46-47	122-123
" 242 /263-W	"	"
" 242P1/253-W	46-49	"
" 242P2/253-W	"	"
512-E52-243 /353-W	"	124-125
" 243 /363-W	"	"
514-E52-243 /353-W	"	"
" 243 /363-W	"	"
" 243P1/353-W	"	"
" 243P2/353-W	"	"
" 250 /363-N	62-63	126-127
" 250C /363-N	"	"
512-E52-252 /463-W	"	"
514-E52-252 /463-W	"	"
504-E52-260 /303-W	64-65	128-129
" 261 /403-W	"	"
" 350P1/253-W	58-59	120-121
" 350P2/253-W	"	"
514-E52-351P1/353-W	"	"
" 351P2/353-W	"	"

<b>E56</b>	<b>①</b>	<b>②</b>
504-E56-110/102-W	68-69	130-131
" 111/102-W	"	"
514-E56-120/243-N	———	136-137
504-E56-121/233-W	68-69	132-133
" 121/243-N	"	"
" 130/253-W	———	134-135
" 130/263-N	———	"
512-E56-131/253-W	———	136-137
514-E56-131/253-W	———	"
" 132/263-W	———	"
" 133/263-N	———	"
504-E56-134/233-W	———	132-133
" 136/253-W	———	134-135
505-E56-210/223-N	54-55	138-139
503-E56-211/223-N	"	"
" 220/233-W	66-67	"
" 223/203-W	"	"
" 230/133-W	68-69	140-141
" 230/233-W	"	"
" 231/123-N	"	"
504-E56-231/123-N	"	"
" 232/100-W	"	142-143
" 233/102-W	"	"
505-E56-234/204-N	"	"
504-E56-242/253-W	46-47	144-145
" 242/263-W	"	"
512-E56-243/253-W	"	"
" 243/263-W	"	"
514-E56-243/253-W	"	"
" 243/263-W	"	"
521-E56-270/100-N	70-71	146-147
505-E56-271/100-N	"	"
521-E56-272/202-N	"	"

# Shirring

**SPECIFIC PARTS**  
 E32-540~543,542<sub>P1-P2</sub>  
 E52-242,243,242<sub>P1-P2</sub>,  
 243<sub>P1-P2</sub>  
 E56-242,243



1	E 32	4 + 5	57
2	E 52 E 56	3 + 5	57

From the library of: Diamond Needle Corp

# SHIRRING ATTACHMENT

## SPECIFIC PARTS

E32-540~543,542P1·P2

E52-242,243,242P1·P2,243P1·P2

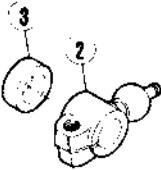
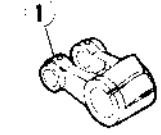
E56-242,243

REF. NO.	PART NO.	NAME	QT.	MEMO
1	211101	SHIRRING ATTACHMENT	1	
2	211100	SHIRRING ATTACHMENT	1	
3	210954	BLADE		
4	210953	BLADE	1	
5	211092	LEVER	1	
6	2193	SCREW	4	
7	200098	WASHER	4	
8	211093	LINK	2	
9	211094	LEVER	1	
10	5316	PIN SCREW	1	
11	211095	BRACKET	1	
12	5094	SCREW	1	
13	137142	WASHER	1	
14	211096	LEVER	1	
15	5316	PIN SCREW	1	
16	211097	BRACKET	1	
17	5142	SCREW	2	
18	211098	SPRING	1	
19	1234	SCREW	1	
20	210935	BRACKET	1	
21	5118	SCREW	2	
22	210936	BRACKET	1	
23	5513	SCREW	1	
24	204888	SPRING WASHER	2	
25	5104	NUT	1	
26	210947	FLAT SPRING	1	
27	1206	SCREW	2	
28	210946	FLAT SPRING	1	
29	1206	SCREW	1	
30	210945	STOPPER	1	
31	5328	SCREW	2	
32	210937	SHAFT	1	
33	206225	COLLAR	1	
34	1457-1	SCREW	2	
35	5029	SCREW	2	
36	210955	WASHER	1	
37	210948	LEVER	1	
38	5104	NUT	1	
39	211614	BRACKET	1	
40	1435	STOP SCREW	1	
41	5292	SCREW	1	
42	210952	SPRING	1	
43	211099	PLATE	1	
44	5029	SCREW	2	
45	208447	TENSION NUT	1	
46	208448	SPRING BUSHING	1	
47	210940	SPRING	1	
48	204091	WASHER	1	
49	5082A	POST	1	
50	210944	WASHER	1	
51	211613	GUIDE	1	
52	210938	RATCH	1	
53	5118	SCREW	1	
54	210939	SPRING	1	
55	210961	CLOTH GUIDE	1	
56	1234	SCREW	2	
57	137906	WASHER	2	

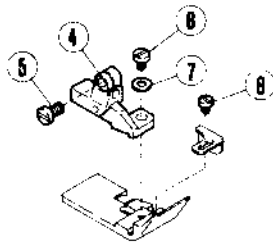


# Shirring/piping

E 32-541, 543

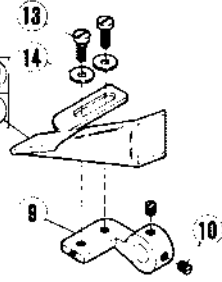


E 32-542P1, 542P2

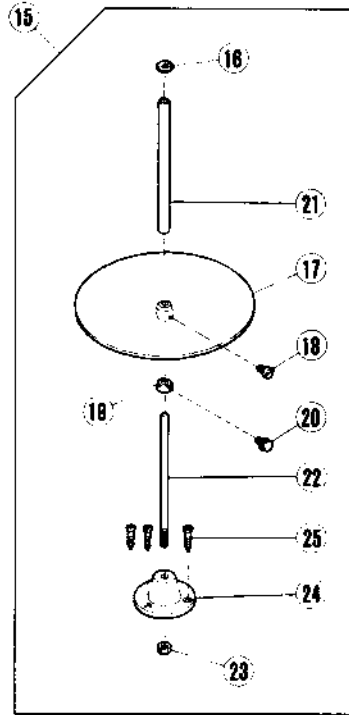


Tape width

25MM (12)  
20MM (11)

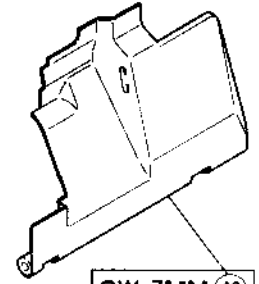
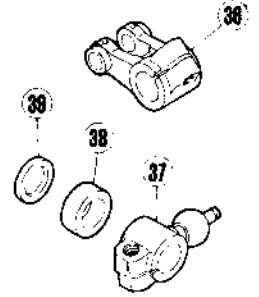


26 E 32-542P2



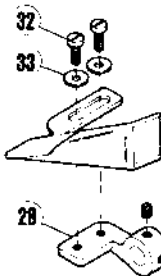
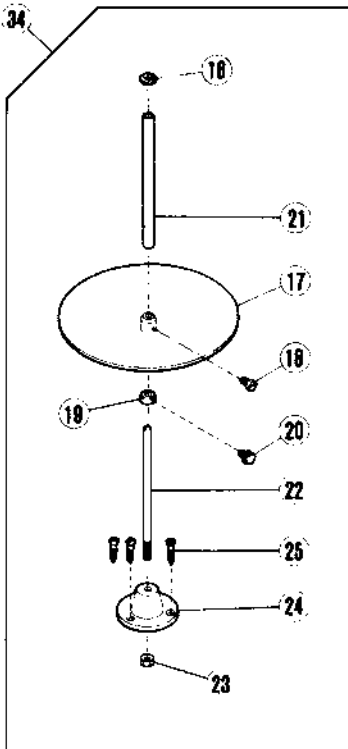
11, 12, 26 are options for -542P1.

E 52-243



SW, 7MM (40)

E 52-242P1, 242P2



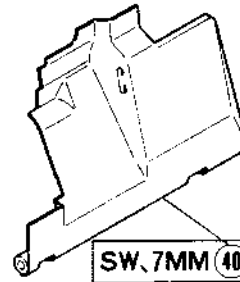
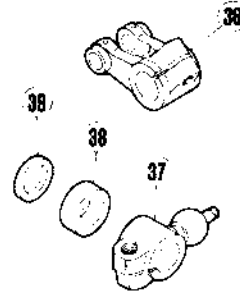
Tape width

(30) 20MM  
(31) 25MM

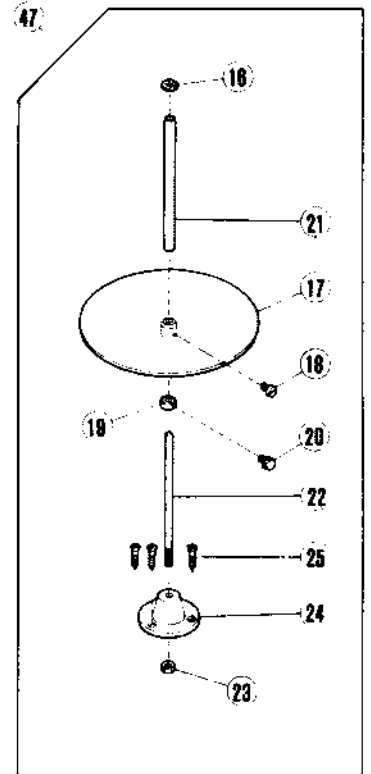
35 E 52-242P2

30, 31, 35 are options for -242P1.

E 52-243P1, 243P2



SW, 7MM (40)



Tape width

(43) 20MM  
(44) 25MM

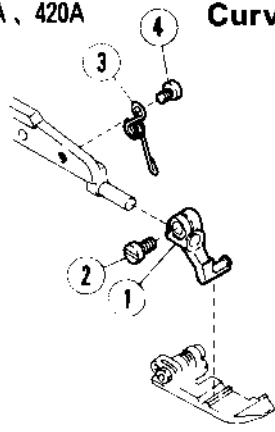
48 E 52-243P2

43, 44, 48 are options for -243P1.

REF. NO.	PART NO.	NAME	QT.	MEMO
1	210231	CRANK/NEEDLE DRIVE/HI LIFT	1	
2	210731	CRANK/UPPER LOOPER/HI LIFT	1	
3	210267	WASHER	1	
4	208554	BRACKET	1	
5	5328	SCREW	1	
6	2921	SCREW	1	
7	202875	WASHER	1	
8	5077	SCREW	1	
9	210962	BINDER BRACKET	1	
10	5210	SCREW	2	
11	211885	BINDER/20MM	1	
12	211886	BINDER/25MM	1	
13	1202	SCREW	2	
14	167066	WASHER	2	
15	403	TAPE REEL STAND SET	1	
16	406	FELT	1	
17	404	TAPE REEL STAND	1	
18	4012	SCREW	1	
19	407	COLLAR	1	
20	408	ADJUSTING SCREW	1	
21	405	FIXING ROD	1	
22	409	ROD	1	
23	4818	NUT	1	
24	410	BRACKET	1	
25	4908	SCREW	3	
26	413	TAPE INSERTING TOOL	1	
27	202588	WASHER	1	
28	210962	BINDER BRACKET	1	
29	5210	SCREW	2	
30	211885	BINDER/20MM	1	
31	211886	BINDER/25MM	1	
32	1202	SCREW	2	
33	167066	WASHER	2	
34	403	TAPE REEL STAND SET	1	
35	413	TAPE INSERTING TOOL	1	
36	210231	CRANK/NEEDLE DRIVE/HI LIFT	1	
37	210731	CRANK/UPPER LOOPER/HI LIFT	1	
38	210267	WASHER	1	
39	206180	THRUST WASHER	1	
40	211702	FRONT COVER/SW=7MM	1	
41	210962	BINDER BRACKET	1	
42	5210	SCREW	2	
43	211885	BINDER/20MM	1	
44	211886	BINDER/25MM	1	
45	1202	SCREW	2	
46	167066	WASHER	2	
47	403	TAPE REEL STAND SET	1	
48	413	TAPE INSERTING TOOL	1	
49	202588	WASHER	1	

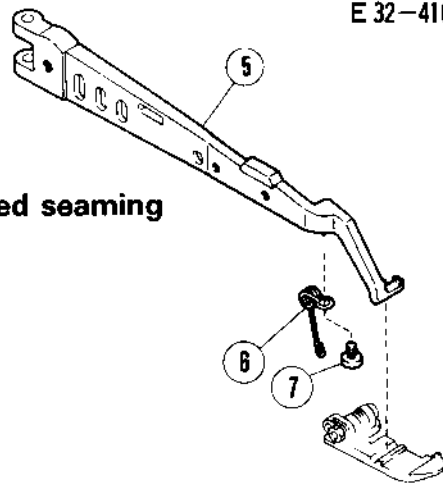
E 32-410A, 420A

**Curved seaming**



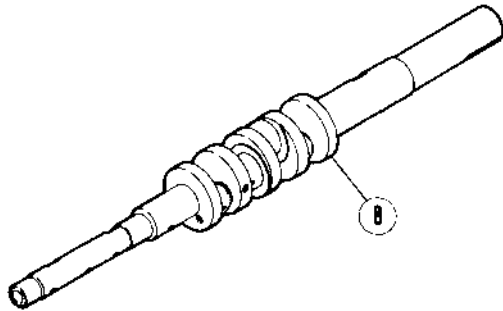
E 32-410B, 420B

**Curved seaming**



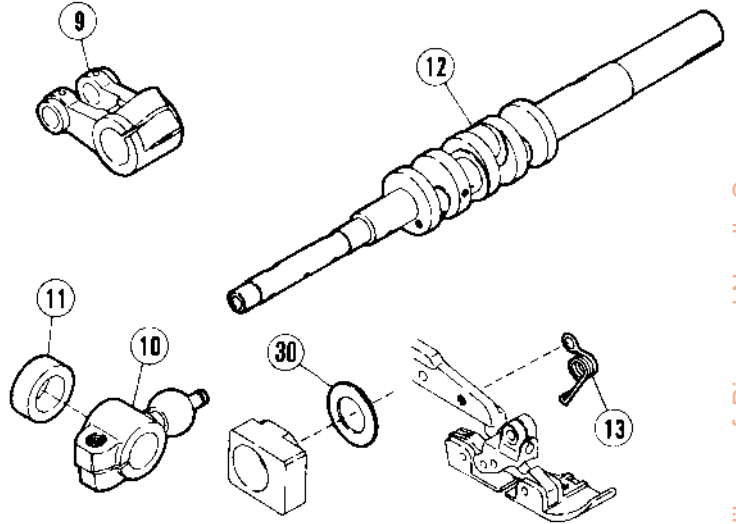
E 32-431

**Seaming on wide fabrics**



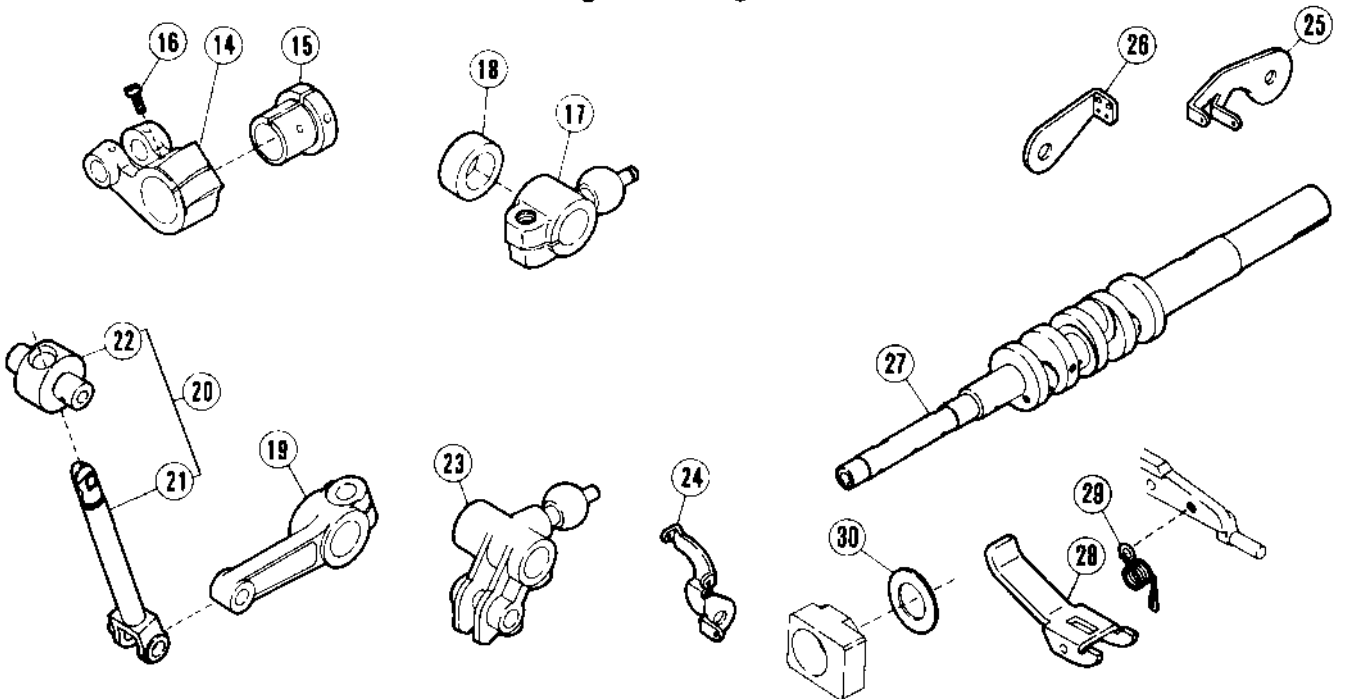
E 32-450, 451

**Seaming on heavy fabrics**



E 32-452, 453

**Seaming/extra-high lift**



From the library of: Diamond Needle Corp

**SPECIFIC PARTS FOR**  
**E32-410A,-410B,-420A,-420B,-431,**  
**-450,-451,-452,-453**

REF. NO.	PART NO.	NAME	QT.	MEMO
1	211905	PRESSER FOOT BRACKET	1	
2	5328	SCREW	1	
3	211906	SPRING	1	
4	2921	SCREW	1	
5	211903	PRESSER ARM	1	
6	211904	SPRING	1	
7	2921	SCREW	1	
8	210228-PA	CRANKSHAFT	1	
9	210231	CRANK/NEEDLE DRIVE/HI LIFT	1	
10	210731	CRANK/UPPER LOOPER/HI LIFT	1	
11	210267	WASHER	1	
12	210228-PB	CRANKSHAFT	1	
13	208960	SPRING	1	
14	211649	CRANK/NEEDLE DRIVE	1	
15	211650	ECCENTRIC/NEEDLE DRIVE CRANK	1	
16	5336	SCREW	1	
17	210731	CRANK/UPPER LOOPER/HI LIFT	1	
18	210267	WASHER	1	
19	211655	LEVER/UPPER LOOPER HOLDER	1	
20	211926	UPPER LOOPER HOLDER ASSEMBLY	1	
21	211654	UPPER LOOPER HOLDER	1	
22	210107	GUIDE/UPPER LOOPER HOLDER	1	
23	211653	CRANK/LOWER LOOPER	1	
24	211658	THREAD GUIDE (CENTER)	1	
25	211659	UPPER LOOPER THREAD TAKEUP	1	
26	210351	LOWER LOOPER THREAD TAKEUP	1	
27	210228-PB	CRANKSHAFT	1	
28	211657	HAND LIFT LEVER	1	
29	211517	SPRING	1	
30	208235	THRUST WASHER	1	

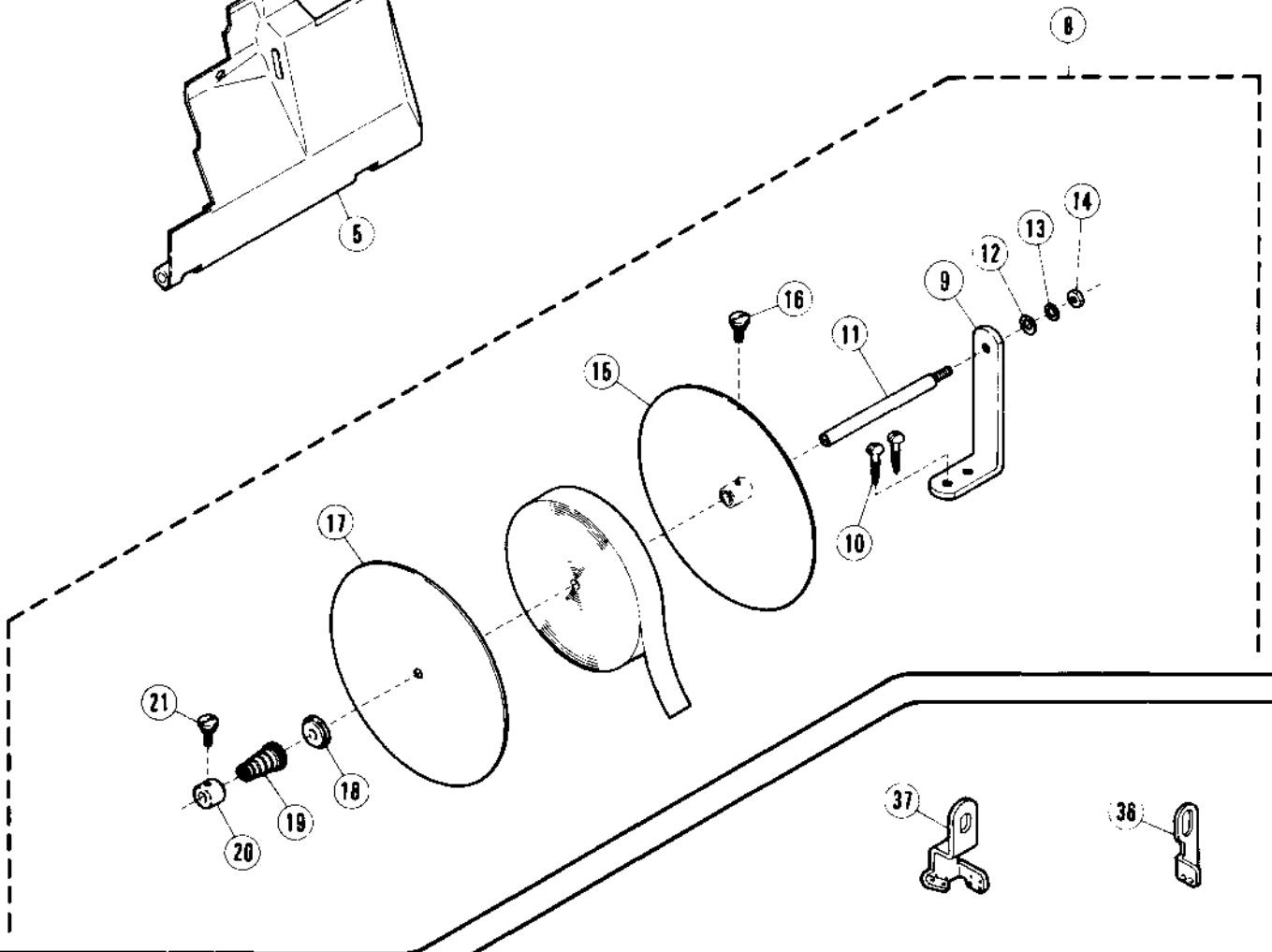
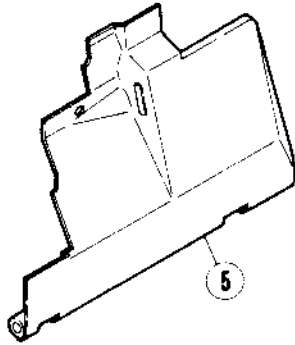
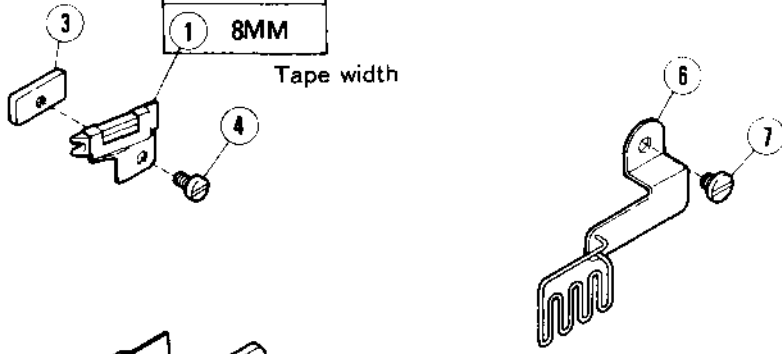
From the library of: Diamond Needle Corp

E 32-550, 551

- |   |      |
|---|------|
| 2 | 10MM |
| 1 | 8MM  |

Tape width

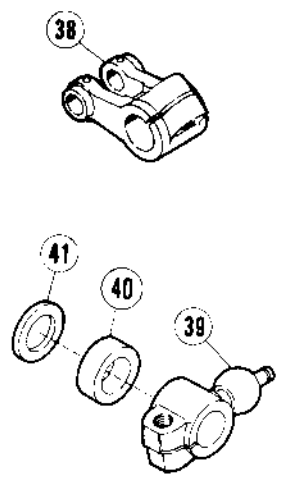
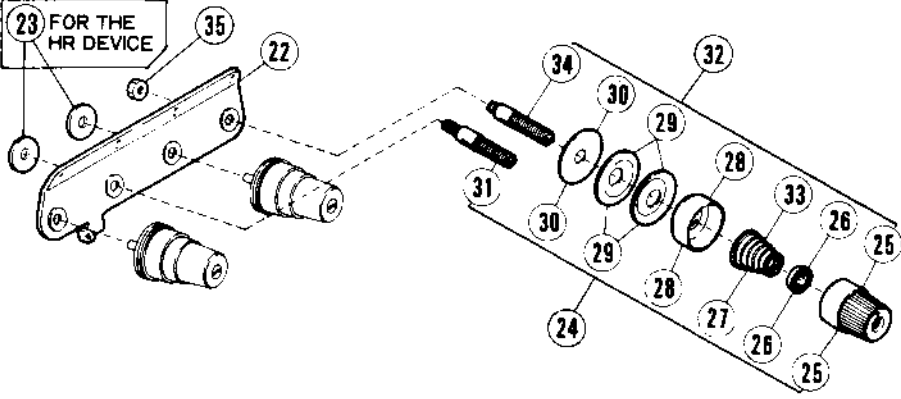
### U-shaped taping.



E 32-355, 359, 555, 559

### 3-needle

23 FOR THE HR DEVICE



From the library of: Diamond Needle Corp

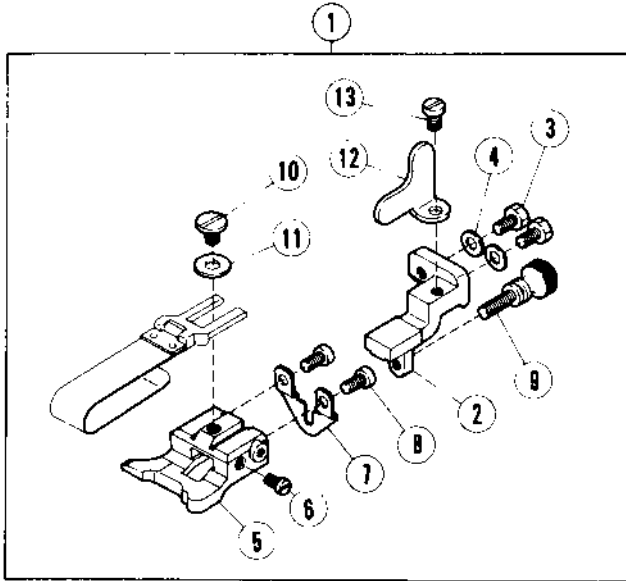
# E32-550,-551,-355,-359,-555,-559

REF. NO.	PART NO.	NAME	QT.	MEMO
1	208994	BINDER/8MM	1	
2	209200	BINDER/10MM	1	
3	208997	BINDER GUIDE	1	
4	1216	SCREW	1	
5	211377	FRONT COVER	1	
6	211395	TAPE GUIDE	1	
7	2905	SCREW	1	
8	337	TAPE REEL STAND SET	1	
9	344	BRACKET	1	
10	4911	SCREW	2	
11	341	ROD	1	
12	189	WASHER	1	
13	303067	WASHER	1	
14	4805	NUT	1	
15	338	TAPE REEL STAND	1	
16	339	SCREW	1	
17	340	TAPE REEL STAND COVER	1	
18	467	SPRING SEAT	1	
19	343	SPRING	1	
20	468	COLLAR	1	
21	339	SCREW	1	
22	211580	TENSION NUT SET PLATE	1	
23	204107	THRUST WASHER	2	
24	210529	THREAD TENSION COMPLETE	1	
25	208447	POST NUT	1	
26	208448	SPRING BUSHING	1	
27	201037	TENSION SPRING (HEAVY)	1	
28	208450	CAP	1	
29	210319	DISC	2	
30	208449	FELT	1	
31	5082A	SCREW STUD	1	
32	211581	THREAD TENSION COMPLETE	1	
33	201086	TENSION SPRING (MEDIUM)	1	
34	5143A	STUD	1	
35	3044	NUT	1	
36	211400	NEEDLE THREAD GUIDE CENTER	1	
37	211399	NEEDLE THREAD GUIDE LEFT	1	
38	210231	CRANK/NEEDLE DRIVE/HI LIFT	1	
39	210731	CRANK/UPPER LOOPER/HI LIFT	1	
40	210267	WASHER	1	
41	206180	THRUST WASHER	1	

# Blindhemming

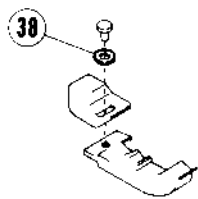
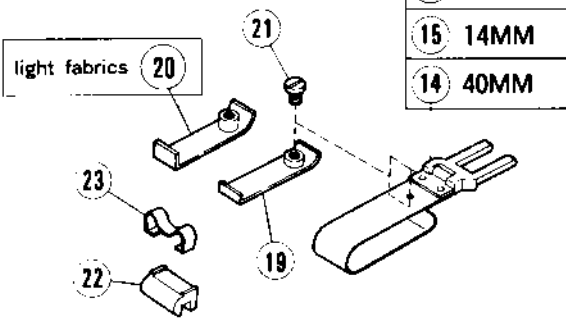
E 52-210, 210C

E 56-210, 210C

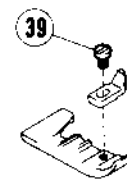
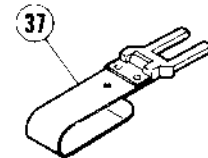
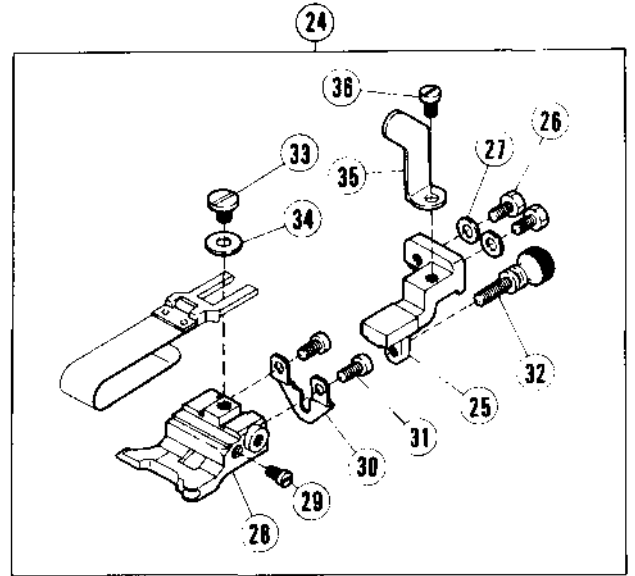


Hem width

18	52MM
17	27MM
16	21MM
15	14MM
14	40MM



E 52-212



# E52-210,-210C,-212 AND E56-210,-210C

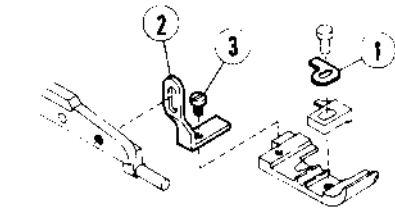
REF. NO.	PART NO.	NAME	QT.	MEMO
1	210691	CLOTH GUIDE COMPLETE	1	
2	210690	CLOTH GUIDE BRACKET	1	
3	5088	SCREW	2	
4	167066	WASHER	2	
5	205361	CLOTH GUIDE	1	
6	5057	SCREW	1	
7	210689	REGULATING PLATE	1	
8	5157	SCREW	2	
9	2430	SCREW	1	
10	2905	SCREW	1	
11	137142	WASHER	1	
12	210692	STOPPER	1	
13	1206	SCREW	1	
14	201211B	FOLDER 40MM	1	
15	205457	FOLDER (14MM)	1	
16	205678	FOLDER 21MM	1	
17	205679	FOLDER 27MM	1	
18	205456	FOLDER 52MM	1	
19	205835	AUXILIARY PLATE	1	
20	205834	AUXILIARY PLATE (FOR THIN)	1	
21	5299	SCREW	1	
22	303312A	REGULATOR	1	
23	303313	REGULATOR CLAMP	1	
24	212265	CLOTH GUIDE COMPLETE	1	
25	210690	BRACKET/CLOTH GUIDE	1	
26	5088	SCREW	2	
27	167066	WASHER	2	
28	212266	CLOTH GUIDE	1	
29	5057	SCREW	1	
30	210689	ADJUSTING PLATE	1	
31	5157	SCREW	2	
32	2430	SCREW	1	
33	2905	SCREW	1	
34	137142	WASHER	1	
35	212267	STOPPER	1	
36	1206	SCREW	1	
37	212268	FOLDER (36MM)	1	
38	210585	WASHER	1	
39	1333	SCREW	1	

From the library of: Diamond Needle Corp



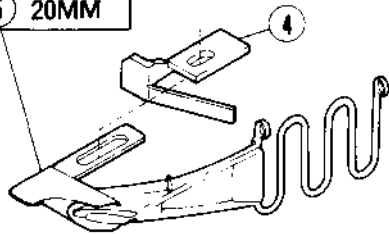
# Piping

E 52-130P1, 130P2



Tape width

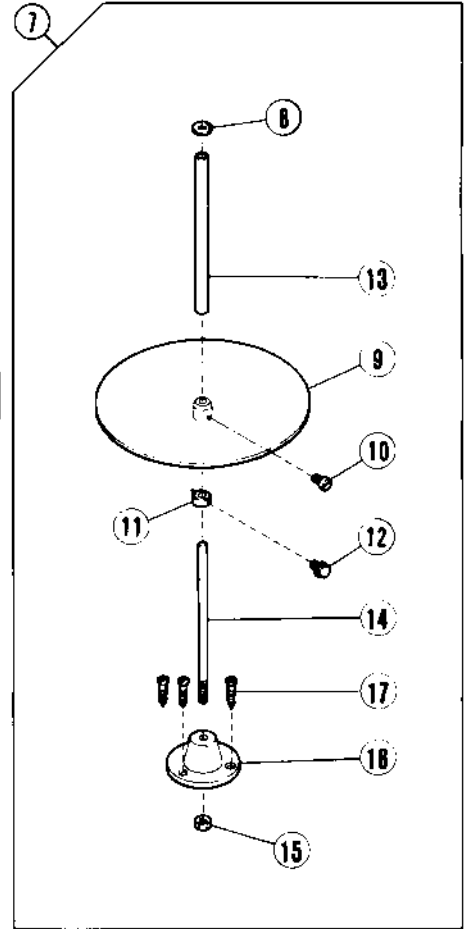
- ⑥ 25MM
- ⑤ 20MM



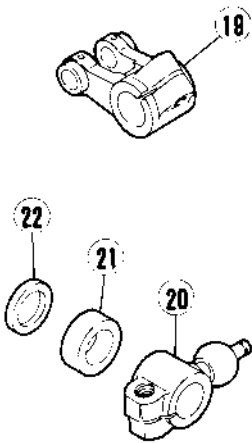
⑱ E 52-130P2



⑤, ⑥, ⑱ are options for -130P1.

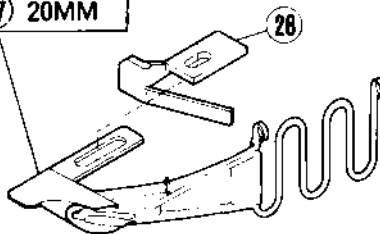


E 52-131P1, 131P2



Tape width

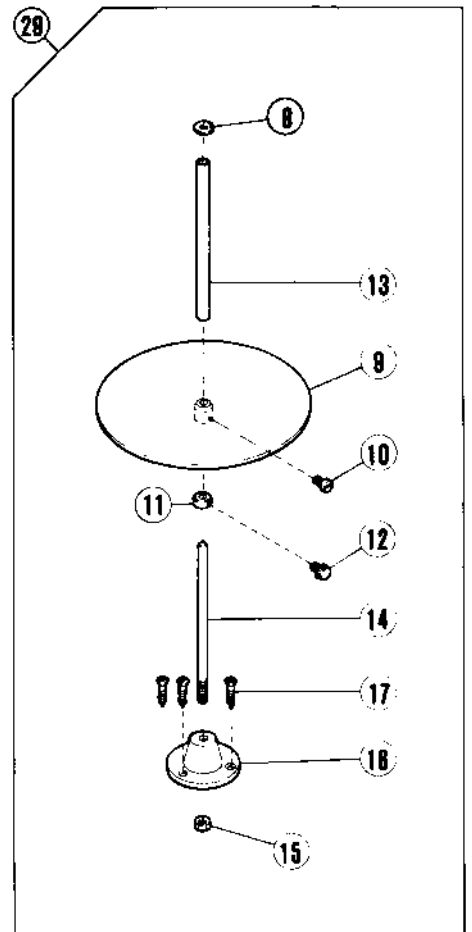
- ⑳ 25MM
- ㉗ 20MM



㉟ E 52-131P2



㉗, ㉘, ㉟ are options for -131P1.

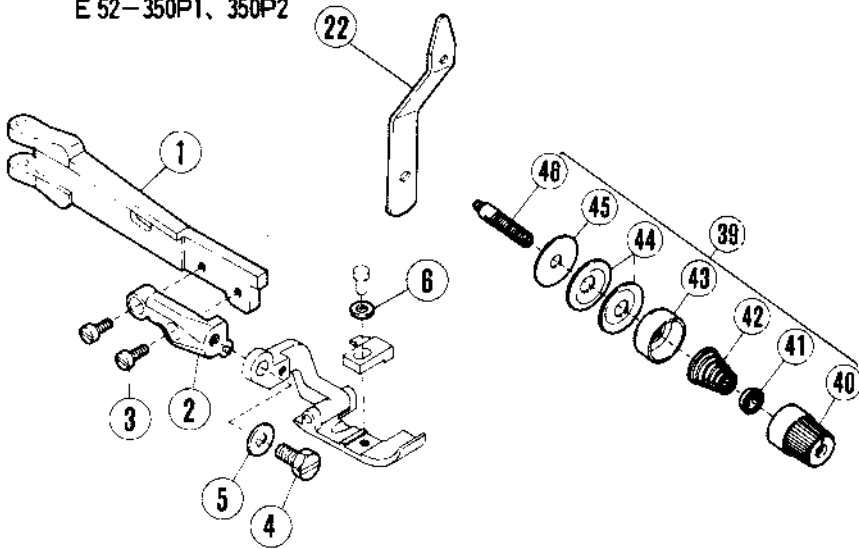


**E52-130P1,-130P2,-131P1,-131P2**

REF. NO.	PART NO.	NAME	QT.	MEMO
1	211876	SET PLATE	1	
2	211877	PRESSER FOOT STOPPER	1	
3	1333	SCREW	1	
4	211879	FABRIC EDGE GUIDE	1	
5	211880	BINDER/20MM	1	
6	211946	BINDER/25MM	1	
7	403	TAPE REEL STAND SET	1	
8	406	FELT	1	
9	404	TAPE REEL STAND	1	
10	4012	SCREW	1	
11	407	COLLAR	1	
12	408	ADJUSTING SCREW	1	
13	405	FIXING ROD	1	
14	409	ROD	1	
15	4818	NUT	1	
16	410	BRACKET	1	
17	4908	SCREW	3	
18	413	TAPE INSERTING TOOL	1	
19	210231	CRANK/NEEDLE DRIVE/HI LIFT	1	
20	210731	CRANK/UPPER LOOPER/HI LIFT	1	
21	210267	WASHER	1	
22	206180	THRUST WASHER	1	
23	211876	SET PLATE	1	
24	211877	STOPPER	1	
25	1333	SCREW	1	
26	211879	FABRIC EDGE GUIDE	1	
27	211880	BINDER/20MM	1	
28	211946	BINDER/25MM	1	
29	403	TAPE REEL STAND SET	1	
30	403	TAPE INSERTING TOOL	1	

# Piping

E 52-350P1, 350P2

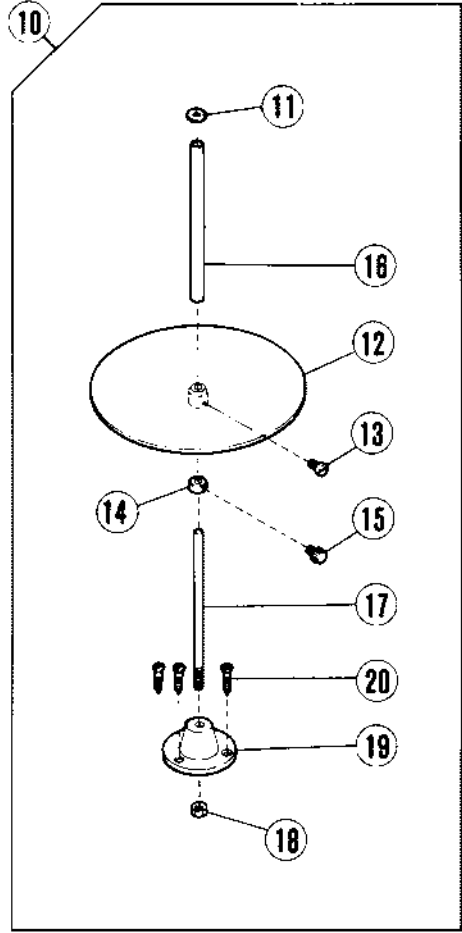


Tape width

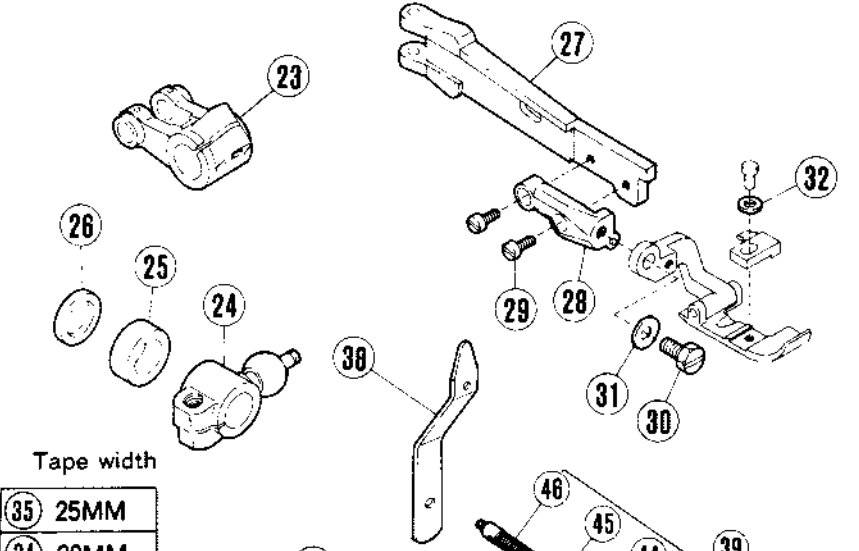
9	25MM
8	20MM

21 E 52-350P2

③, ⑨, ⑫ are options for -350P1.



E 52-351P1, 351P2

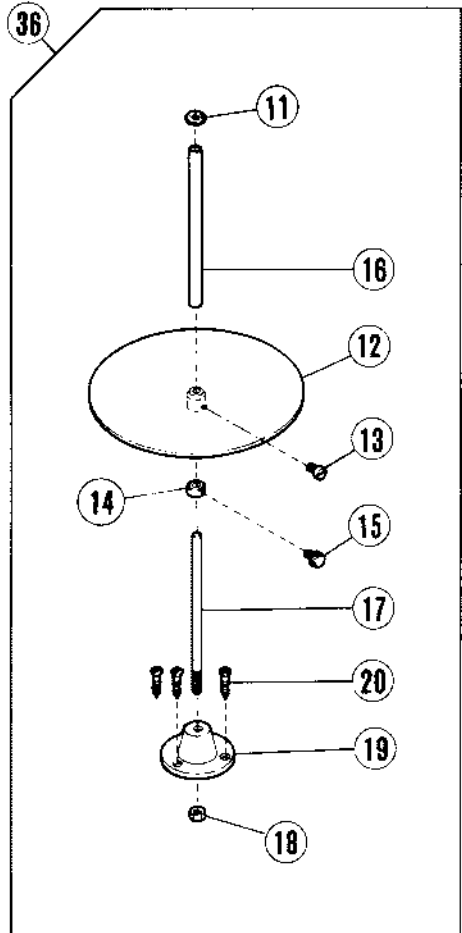


Tape width

35	25MM
34	20MM

37 E 52-351P2

⑩, ⑮, ⑲ are options for -351P1.



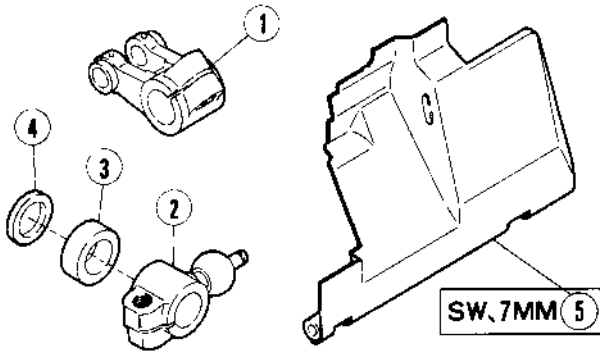
From the library of: Diamond Needle Corp

**SPECIFIC PARTS FOR**  
**E52-350P1,-350P2,-351P1,-351P2**

REF. NO.	PART NO.	NAME	QT.	MEMO
1	211823	PRESSER ARM	1	
2	211824	BRACKET	1	
3	1196	SCREW	2	
4	2193	SCREW	1	
5	201185	WASHER	1	
6	202588	WASHER	1	
7	211879	FABRIC EDGE GUIDE	1	
8	211880	BINDER/20MM	1	
9	211946	BINDER/25MM	1	
10	403	TAPE REEL STAND SET	1	
11	406	FELT	1	
12	404	TAPE REEL STAND	1	
13	4012	SCREW	1	
14	407	COLLAR	1	
15	408	ADJUSTING SCREW	1	
16	405	FIXING ROD	1	
17	409	ROD	1	
18	4818	NUT	1	
19	410	BRACKET	1	
20	4908	SCREW	1	
21	413	TAPE INSERTING TOOL	1	
22	211949	CORD GUIDE PLATE	1	
23	210231	CRANK/NEEDLE DRIVE/HI LIFT	1	
24	210731	CRANK/UPPER LOOPER/HI LIFT	1	
25	210267	WASHER	1	
26	206180	THRUST WASHER	1	
27	211823	PRESSER ARM	1	
28	211824	BRACKET	1	
29	1196	SCREW	2	
30	2193	SCREW	1	
31	201185	WASHER	1	
32	202588	WASHER	1	
33	211879	FABRIC EDGE GUIDE	1	
34	211880	BINDER/20MM	1	
35	211946	BINDER/25MM	1	
36	403	TAPE REEL STAND SET	1	
37	413	TAPE INSERTING TOOL	1	
38	211949	CORD GUIDE PLATE	1	
39	211951	TENSION NUT COMPLETE (MEDIUM)	1	
40	208447	POST NUT	1	
41	208448	SPRING BUSHING	1	
42	201086	TENSION SPRING (MEDIUM)	1	
43	208450	CUP	1	
44	210319	DISC	2	
45	208449	FELT	1	
46	1817-2A	TENSION GUIDE	1	

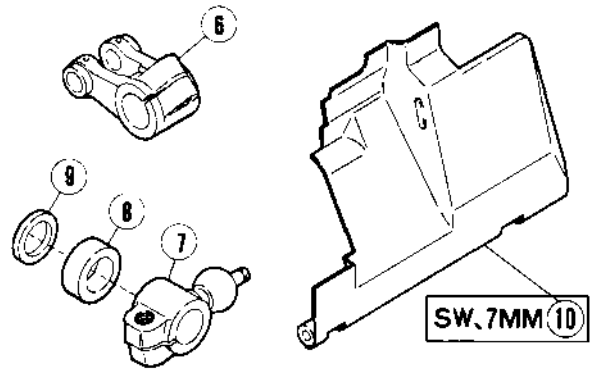
E 52-131, 135, 140

2-needle



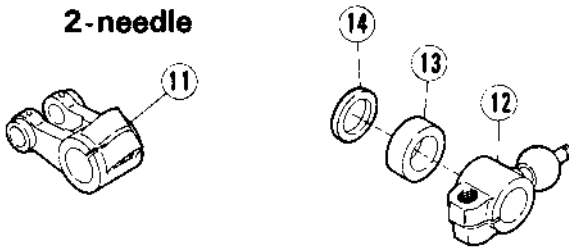
E 52-132, 133

2-needle



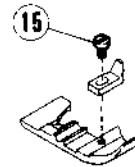
E 52-137

2-needle



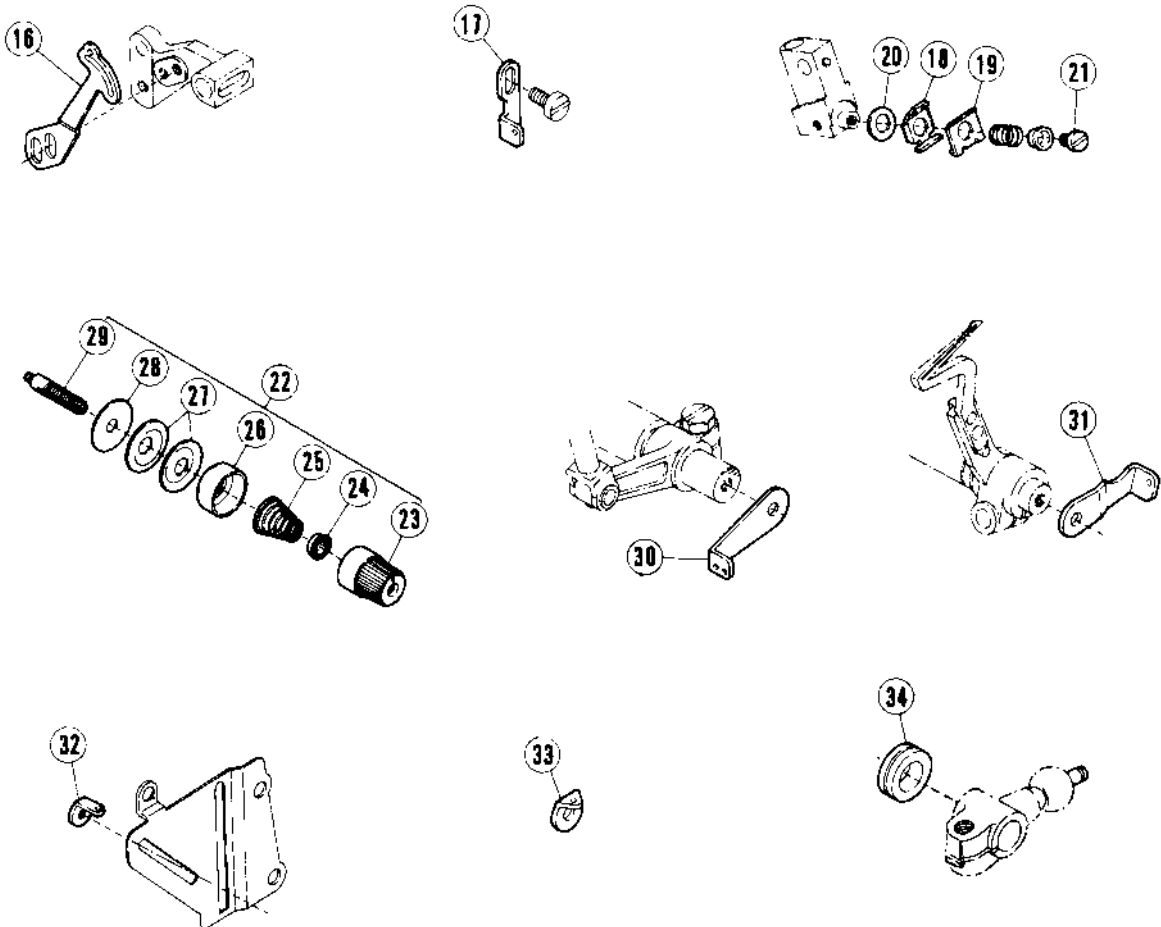
E 52-121

Seaming on foundations



E 52-130T, 121T

Stretchable thread chain

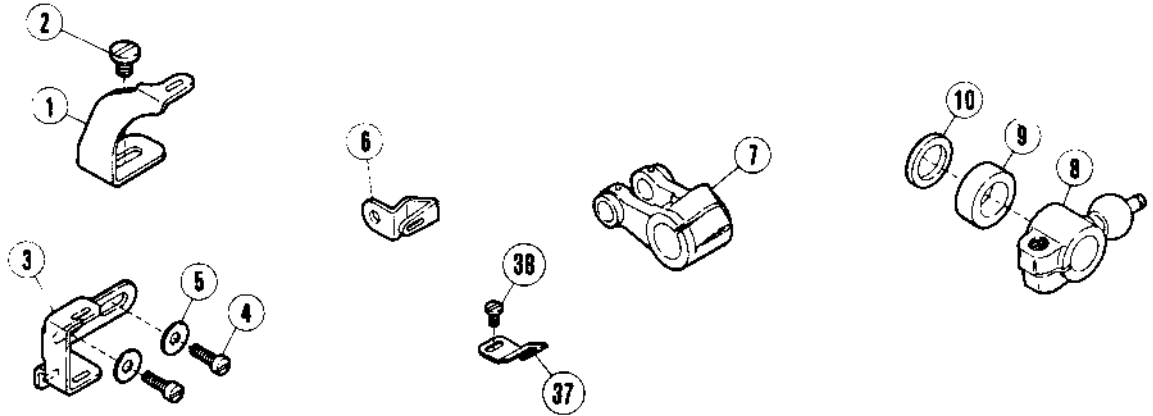


**E52-131,-135,-140,-132,-133,-137,-121,-130T,-121T**

REF. NO.	PART NO.	NAME	QT.	MEMO
1	210231	CRANK/NEEDLE DRIVE/HI LIFT	1	
2	210731	CRANK/UPPER LOOPER/HI LIFT	1	
3	210267	WASHER	1	
4	206180	THRUST WASHER	1	
5	211702	FRONT COVER/SW=7MM	1	
6	210230	CRANK/NEEDLE DRIVE/STD LIFT	1	
7	210731	CRANK/UPPER LOOPER/HI LIFT	1	
8	210267	WASHER	1	
9	206180	THRUST WASHER	1	
10	211702	FRONT COVER/SW=7MM	1	
11	210230	CRANK/NEEDLE DRIVE/STD LIFT	1	
12	210731	CRANK/UPPER LOOPER/HI LIFT	1	
13	210267	WASHER	1	
14	206180	THRUST WASHER	1	
15	1333	SCREW	1	
16	212212	NEEDLE THREAD TAKEUP	1	
17	210722	NEEDLE THREAD GUIDE CENTER	1	
18	212213	BRACKET/SPRING	1	
19	210749	NEEDLE THREAD RETAINER	1	
20	202058	WASHER	1	
21	5600	SCREW	1	
22	210530	THREAD TENSION COMPLETE	1	
23	208447	POST NUT	1	
24	208448	SPRING BUSHING	1	
25	201086	TENSION SPRING (MEDIUM)	1	
26	208450	CAP	1	
27	210319	DISC	2	
28	208449	FELT	1	
29	5082A	SCREW STUD	1	
30	212214	UPPER LOOPER THREAD TAKEUP	1	
31	212216	LOWER LOOPER THREAD TAKEUP	1	
32	201089	THREAD GUIDE (RIGHT)	1	
33	167079	EYELET	1	
34	212217	WASHER	1	

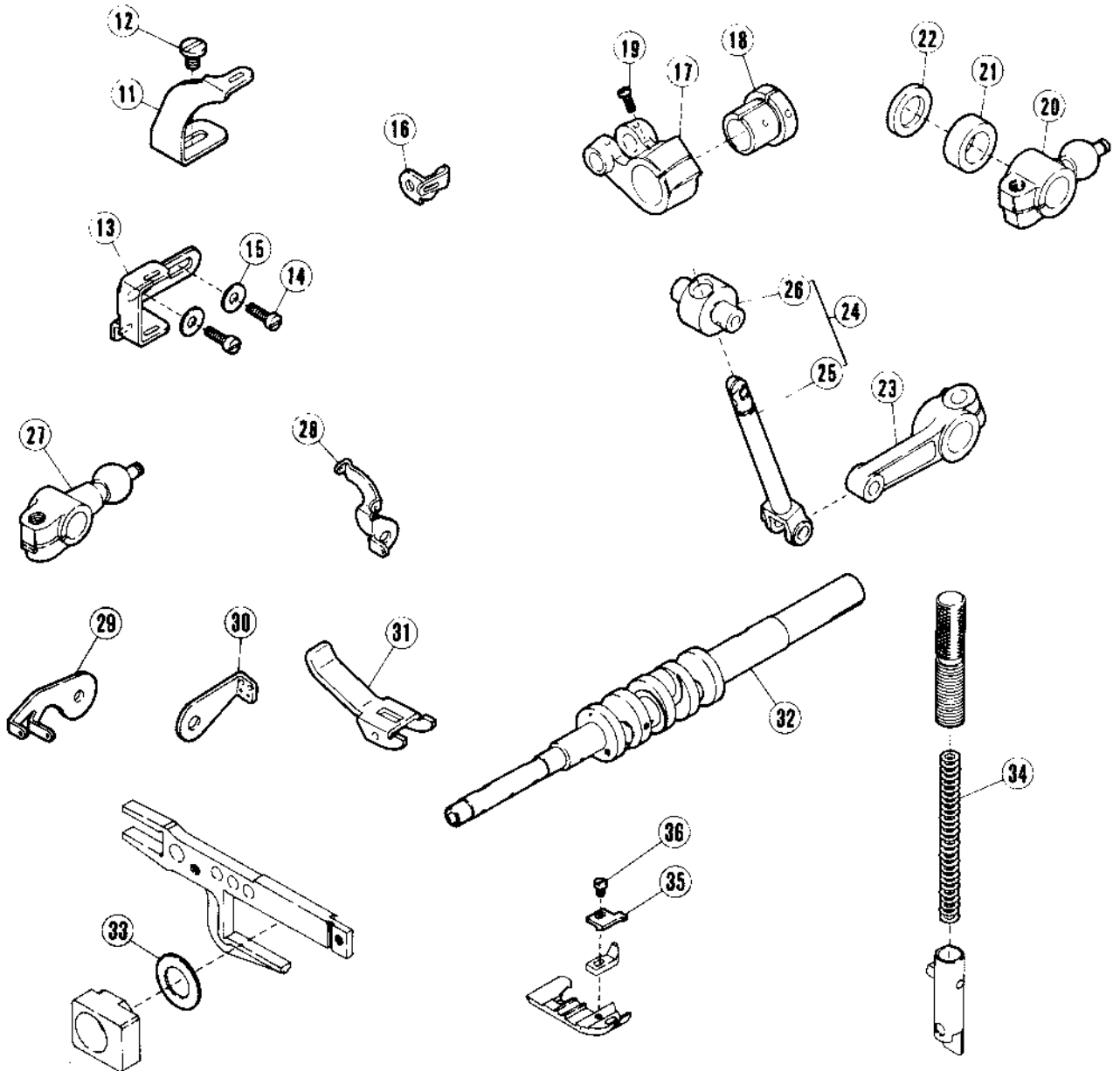
# Taping Seaming (extra-high lift)

E 52-250, 250C



E 52-141, 142, 252

17~21	E52-141	Seaming/extra-high lift
23~34	E52-141	Seaming/extra-high lift
17~34	E52-142	Seaming/extra-high lift
11~37	E52-252	Taping/extra-high lift



From the library of: Diamond Needle Corp

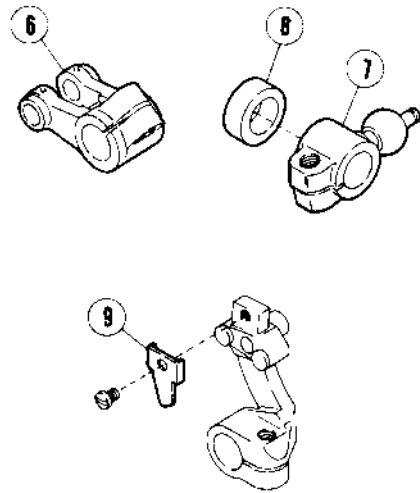
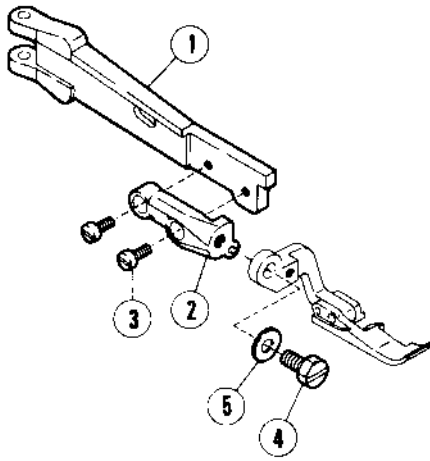
**SPECIFIC PARTS FOR  
E52-141,-142,-250,-250C,-252**

REF. NO.	PART NO.	NAME	QT.	MEMO
1	211264	TAPE GUIDE (UPPER)	1	
2	5453	SCREW	1	
3	211265	TAPE GUIDE (LOWER)	1	
4	1174	SCREW	2	
5	137906	WASHER	2	
6	211266	TAPE TAKEUP	1	
7	210230	CRANK/NEEDLE DRIVE/STD LIFT	1	
8	210731	CRANK/UPPER LOOPER/HI LIFT	1	
9	210267	WASHER	1	
10	206180	THRUST WASHER	1	
11	211264	TAPE GUIDE (UPPER)	1	
12	5453	SCREW	1	
13	211265	TAPE GUIDE (LOWER)	1	
14	1174	SCREW	2	
15	137906	WASHER	2	
16	211267	TAPE TAKEUP	1	
17	211649	NEEDLE DRIVE CRANK	1	
18	211650	ECCENTRIC/NEEDLE DRIVE CRANK	1	
19	5336	SCREW	1	
20	210731	CRANK/UPPER LOOPER/HI LIFT	1	
21	210267	WASHER	1	
22	206180	THRUST WASHER	1	
23	211655	LEVER/UPPER LOOPER HOLDER	1	
24	211926	UPPER LOOPER HOLDER ASSEMBLY	1	
25	211654	UPPER LOOPER HOLDER	1	
26	210107	GUIDE/UPPER LOOPER HOLDER	1	
27	211652	CRANK/LOWER LOOPER HOLDER	1	
28	211658	THREAD GUIDE (CENTER)	1	
29	211659	UPPER LOOPER THREAD TAKEUP	1	
30	210351	LOWER LOOPER THREAD TAKEUP	1	
31	211657	HAND LIFT LEVER	1	
32	210228--PB	CRANKSHAFT	1	
33	208235	THRUST WASHER	1	
34	211941	SPRING	1	
35	211931	TAPE GUIDE	1	
36	2922	SCREW	1	
37	208735	TAPE GUIDE	1	
38	1333	SCREW	1	

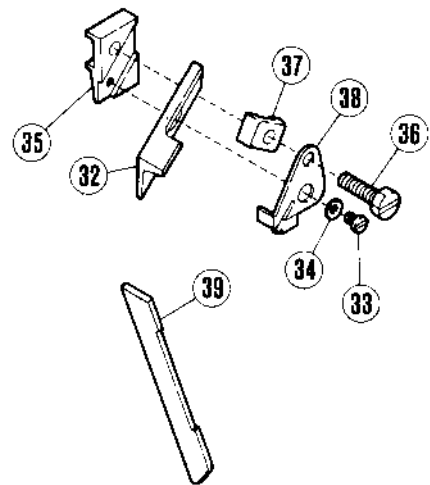
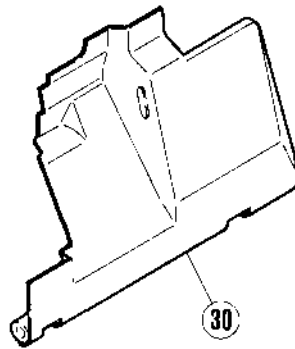
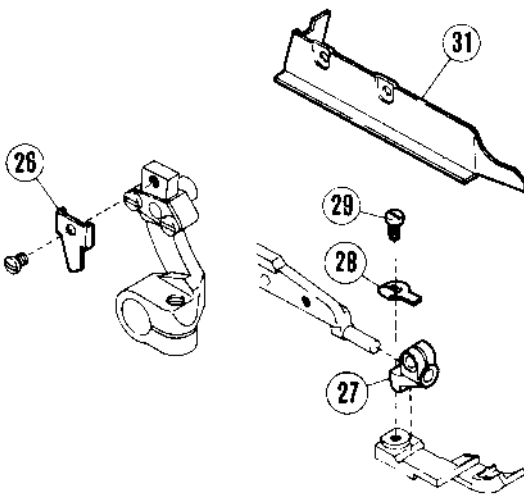
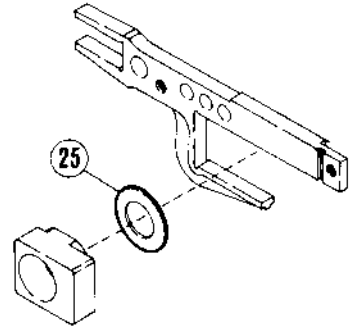
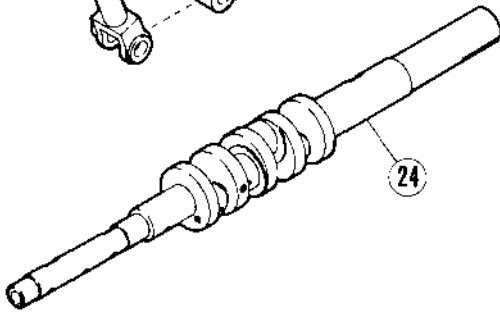
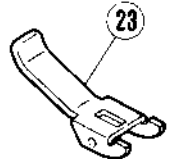
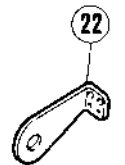
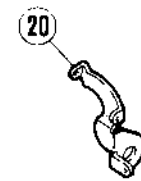
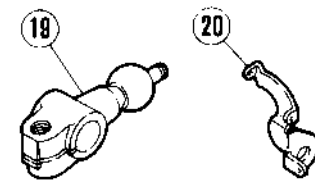
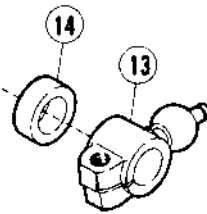
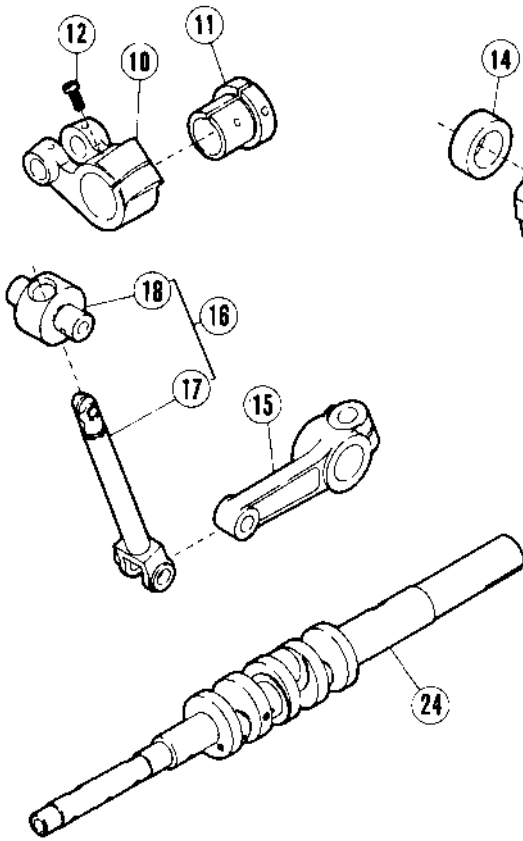


# Attaching zipper

E 52-260



E 52-261



From the library of: Diamond Needle Corp

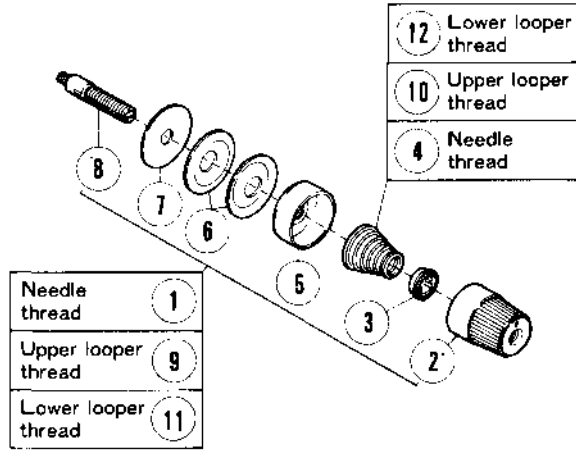
**SPECIFIC PARTS FOR  
E52-260,-261**

REF. NO.	PART NO.	NAME	QT.	MEMO
1	211823	PRESSER ARM	1	
2	211824	BRACKET	1	
3	1196	SCREW	2	
4	2193	SCREW	1	
5	201185	WASHER	1	
6	210231	CRANK/NEEDLE DRIVE/HI LIFT	1	
7	210731	CRANK/UPPER LOOPER/HI LIFT	1	
8	210267	WASHER	1	
9	211868	STOPPER	1	
10	211649	CRANK/NEEDLE DRIVE	1	
11	211650	ECCENTRIC/NEEDLE DRIVE CRANK	1	
12	5336	SCREW	1	
13	210731	CRANK/UPPER LOOPER/HI LIFT	1	
14	210267	WASHER	1	
15	211655	LEVER/UPPER LOOPER HOLDER	1	
16	211926	UPPER LOOPER HOLDER ASSEMBLY	1	
17	211654	UPPER LOOPER HOLDER	1	
18	210107	GUIDE/UPPER LOOPER HOLDER	1	
19	211652	CRANK/LOWER LOOPER	1	
20	211658	NEEDLE GUIDE (CENTER)	1	
21	211659	UPPER LOOPER THREAD TAKEUP	1	
22	210351	UPPER LOOPER THREAD TAKEUP	1	
23	211657	HAND LIFT LEVER	1	
24	210228-PB	CRANKSHAFT	1	
25	208235	THRUST WASHER	1	
26	211868	STOPPER	1	
27	211838	PRESSER FOOT BRACKET	1	
28	211839	PRESSER FOOT SET PLATE	1	
29	5157	SCREW	1	
30	211794	FRONT COVER	1	
31	211660	FABRIC GUARD	1	
32	211662	ANGLED UPPER KNIFE	1	
33	1227	SCREW	1	
34	300248	WASHER	1	
35	210756	ANGLED UPPER KNIFE CLAMP	1	
36	5504	SCREW	1	
37	210758	ANGLED UPPER KNIFE GIB	1	
38	210759	ANGLED UPPER KNIFE PLATE	1	
39	211661	LOWER KNIFE	1	

# Serging

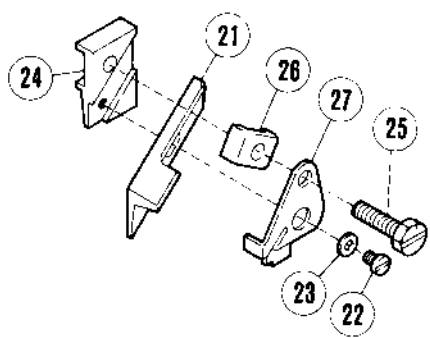
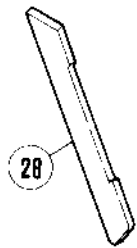
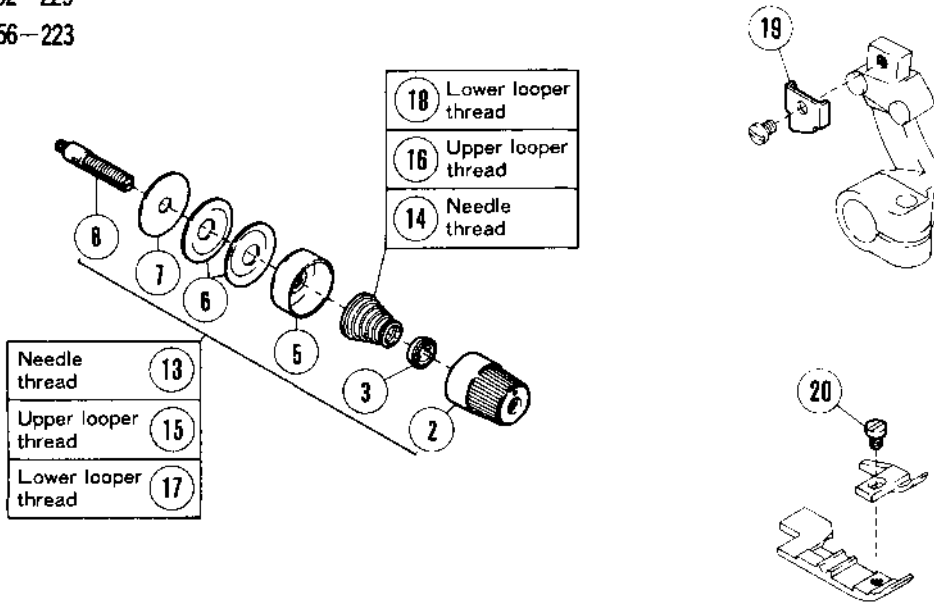
E 52-220

E 56-220



E 52-223

E 56-223



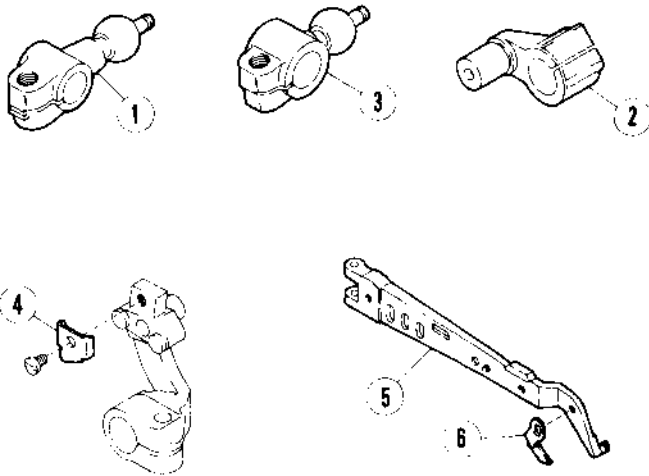
From the library of: Diamond Needle Corp

## E52-220,-223 AND E56-220,-223

REF. NO.	PART NO.	NAME	QT.	MEMO
1	210530	THREAD TENSION COMPLETE	1	
2	208447	POST NUT	1	
3	208448	SPRING BUSHING	1	
4	201068	TENSION SPRING (LIGHT)	1	
5	208450	CAP	1	
6	210319	DISC	2	
7	208449	FELT	1	
8	5082A	SCREW STUD	1	
9	210529	THREAD TENSION COMPLETE	1	
10	201037	TENSION SPRING (HEAVY)	1	
11	210530	THREAD TENSION COMPLETE	1	
12	201086	TENSION SPRING (MEDIUM)	1	
13	210530	THREAD TENSION COMPLETE	1	
14	201068	TENSION SPRING (LIGHT)	1	
15	210529	THREAD TENSION COMPLETE	1	
16	201037	TENSION SPRING (HEAVY)	1	
17	210530	THREAD TENSION COMPLETE	1	
18	201086	TENSION SPRING (MEDIUM)	1	
19	208953	STOPPER	1	
20	1186	SCREW	1	
21	211662	ANGLED UPPER KNIFE	1	
22	1227	SCREW	1	
23	300248	WASHER	1	
24	210756	ANGLED UPPER KNIFE CLAMP	1	
25	5504	SCREW	1	
26	210758	ANGLED UPPER KNIFE GIB	1	
27	210759	ANGLED UPPER KNIFE PLATE	1	
28	211661	LOWER KNIFE	1	

E 56-110, 111

### Seaming (low lift)



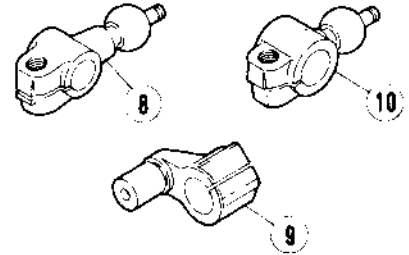
E 56-121

### Seaming on foundations



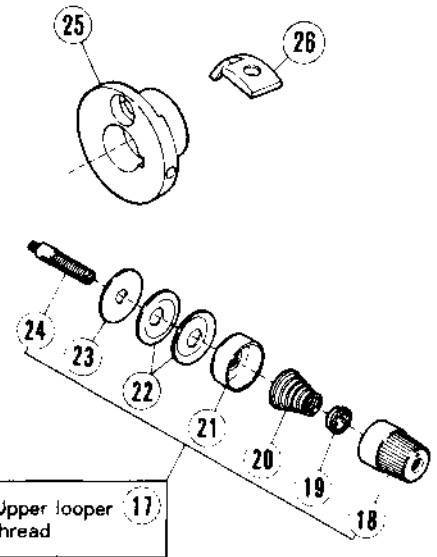
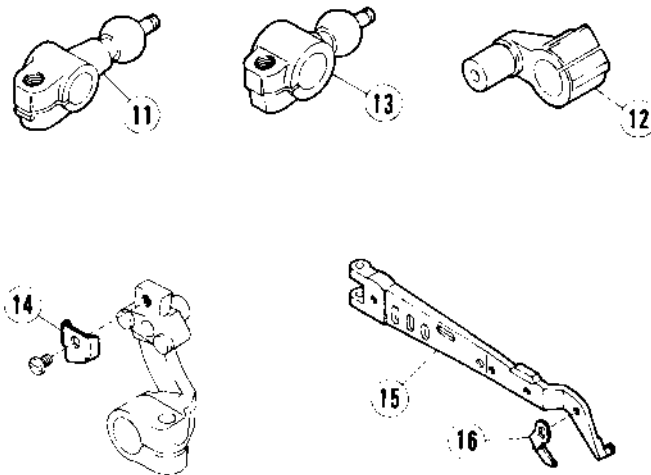
E 56-230/503-133, E 56-231

### Turn-down hemming



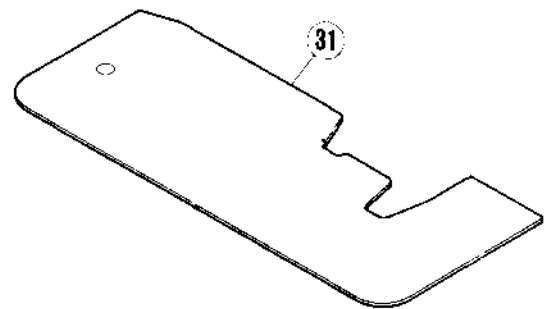
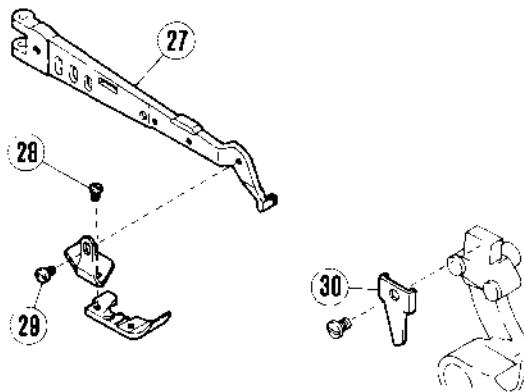
E 56-232, 233

### Turn-down hemming



E 56-234

### Turn-up hemming

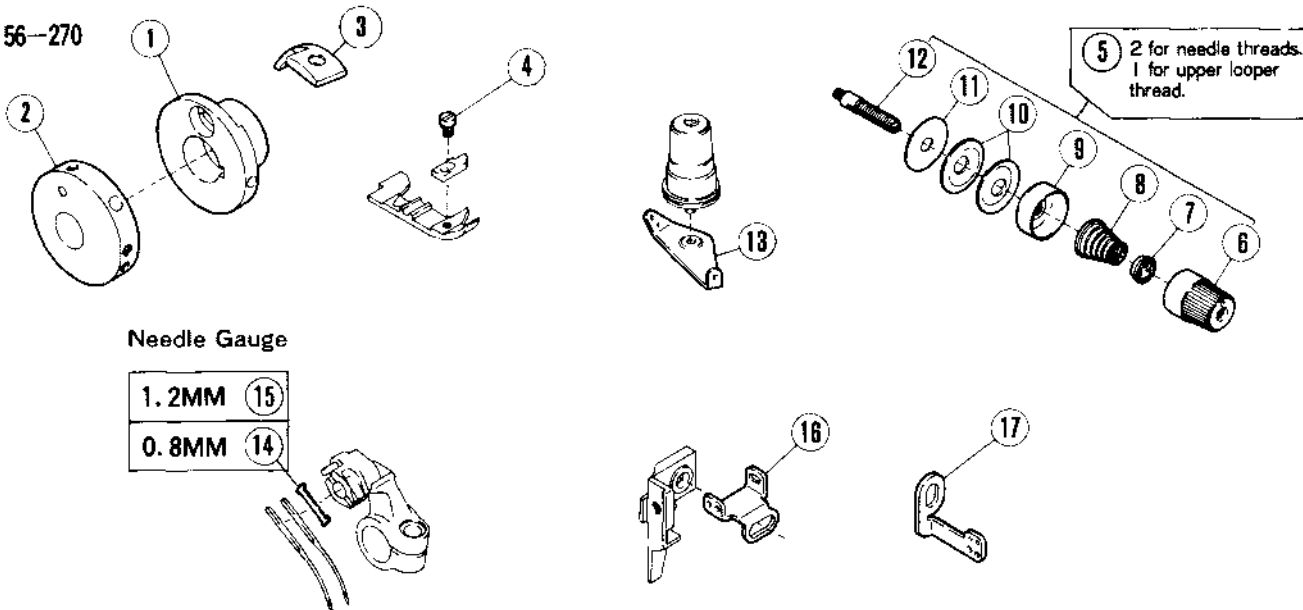


**SPECIFIC PARTS FOR**  
**E56-110,-111,-121,-230,-231,-232,-233,-234**

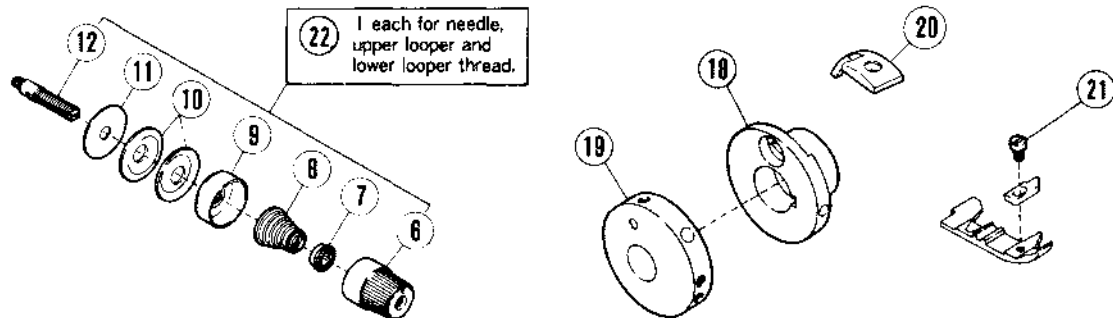
REF. NO.	PART NO.	NAME	QT.	MEMO
1	210735	CRANK/LOWER LOOPER	1	
2	210065	CRANK/NEEDLE DRIVE/LOW LIFT	1	
3	210732	CRANK/UPPER LOOPER/LOW LIFT	1	
4	208953	STOPPER	1	
5	210933	PRESSER ARM	1	
6	211534	PRESSER FOOT STOPPER	1	
7	1333	SCREW	1	
8	210735	CRANK/LOWER LOOPER	1	
9	210065	CRANK/NEEDLE DRIVE/LOW LIFT	1	
10	210732	CRANK/UPPER LOOPER/LOW LIFT	1	
11	210735	CRANK/LOWER LOOPER	1	
12	210065	CRANK/NEEDLE DRIVE/LOW LIFT	1	
13	210732	CRANK/UPPER LOOPER/LOW LIFT	1	
14	208953	STOPPER	1	
15	210933	PRESSER ARM	1	
16	211534	PRESSER FOOT STOPPER	1	
17	210530	THREAD TENSION COMPLETE	1	
18	208447	POST NUT	1	
19	208448	SPRING BUSHING	1	
20	201086	TENSION SPRING (MEDIUM)	1	
21	208450	CAP	1	
22	210319	DISC	2	
23	208449	FELT	1	
24	5082A	SCREW STUD	1	
25	211563	FEED ECCENTRIC	1	
26	211805	STOPPER	1	
27	210933	PRESSER ARM	1	
28	1333	SCREW	1	
29	1229	SCREW	1	
30	211609	STOPPER	1	
31	211808	CLOTH PLATE	1	

# Hosiery

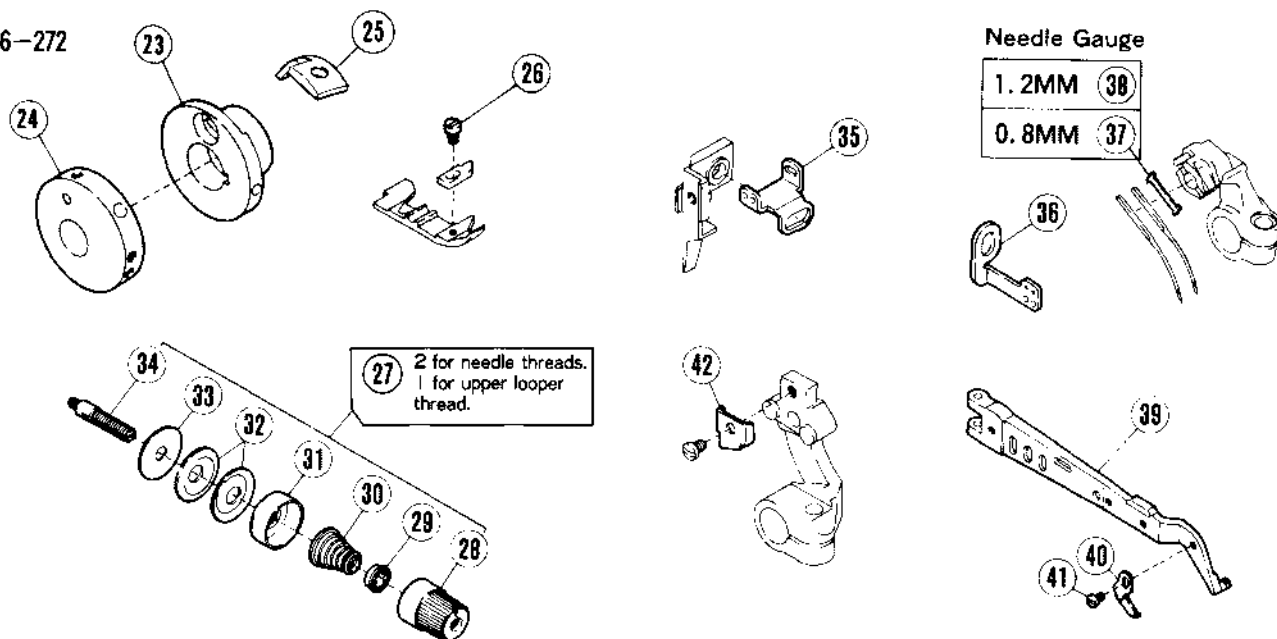
E 56-270



E 56-271



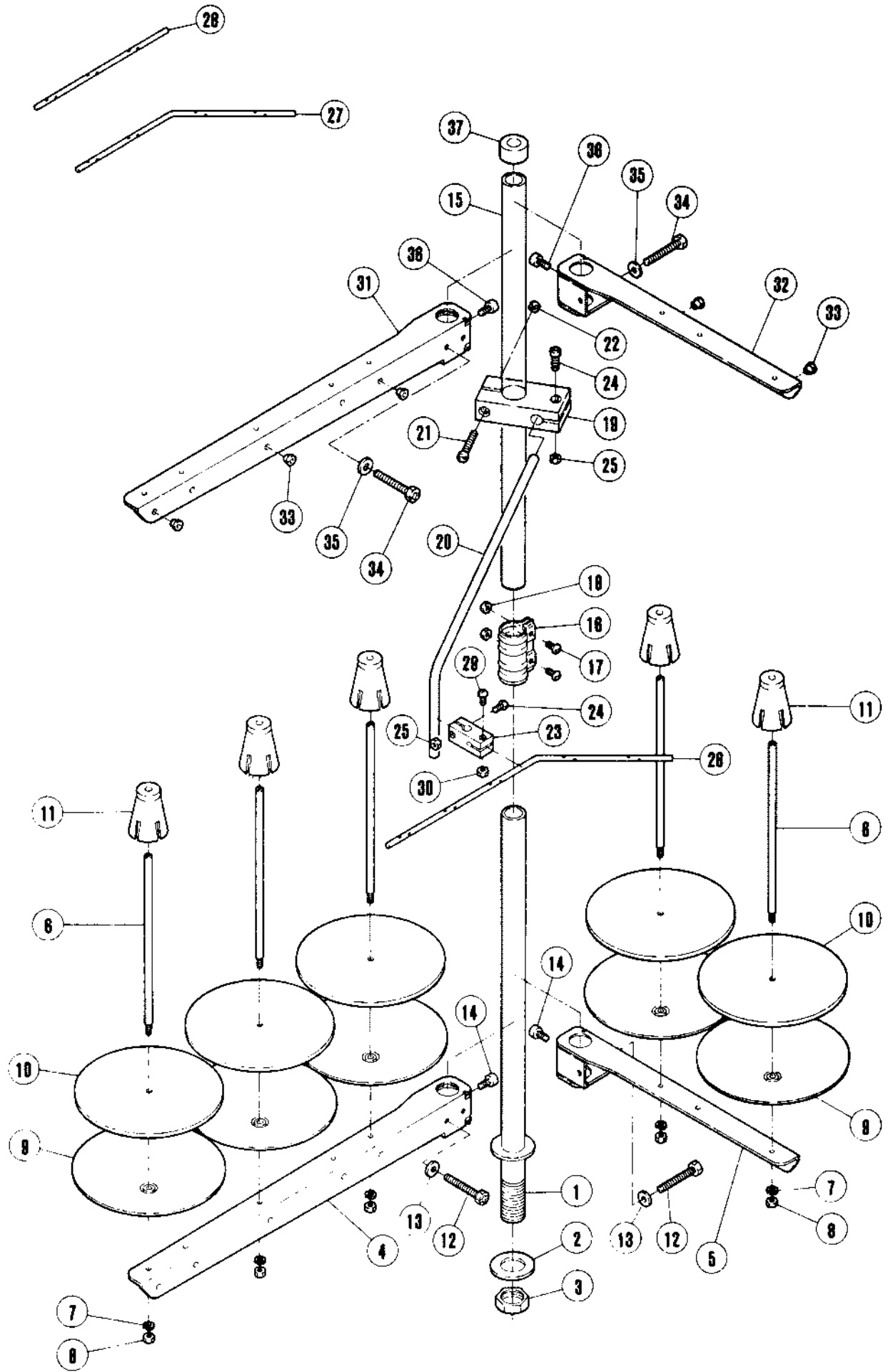
E 56-272



**SPECIFIC PARTS FOR  
E56-270,-271,-272**

REF. NO.	PART NO.	NAME	QT.	MEMO
1	211563	FEED ECCENTRIC	1	
2	210128	FEED ECCENTRIC RETAINER	1	
3	211805	STOPPER	1	
4	1333	SCREW	1	
5	211556	THREAD TENSION COMPLETE	3	
6	208447	POST NUT	1	
7	208448	SPRING BUSHING	1	
8	211562	THREAD TENSION COMPLETE	1	
9	208450	CAP	1	
10	210319	DISC	2	
11	208449	FELT	1	
12	5082A	SCREW STUD	1	
13	210090	TENSION GUIDE/2 NDL	1	
14	211452	SHIM/0.8MM	1	
15	211453	SHIM/1.2MM	1	
16	211560	NEEDLE THREAD TAKEUP	1	
17	211561	NEEDLE THREAD GUIDE (CENTER)	1	
18	211563	FEED ECCENTRIC	1	
19	210128	FEED ECCENTRIC RETAINER	1	
20	211805	STOPPER	1	
21	1333	SCREW	1	
22	211556	THREAD TENSION COMPLETE	3	
23	211563	FEED ECCENTRIC	1	
24	210128	FEED ECCENTRIC RETAINER	1	
25	211805	STOPPER	1	
26	1333	SCREW	1	
27	210530	THREAD TENSION COMPLETE	3	
28	208447	POST NUT	1	
29	208448	SPRING BUSHING	1	
30	201086	TENSION SPRING (MEDIUM)	1	
31	208450	CAP	1	
32	210319	DISC	2	
33	208449	FELT	1	
34	5082A	SCREW STUD	1	
35	211560	NEEDLE THREAD TAKEUP	1	
36	211561	NEEDLE THREAD GUIDE (CENTER)	1	
37	211452	SHIM/0.8MM	1	
38	211453	SHIM/1.2MM	1	
39	210933	PRESSER ARM	1	
40	211534	PRESSER FOOT STOPPER	1	
41	1229	SCREW	1	
42	208953	STOPPER	1	

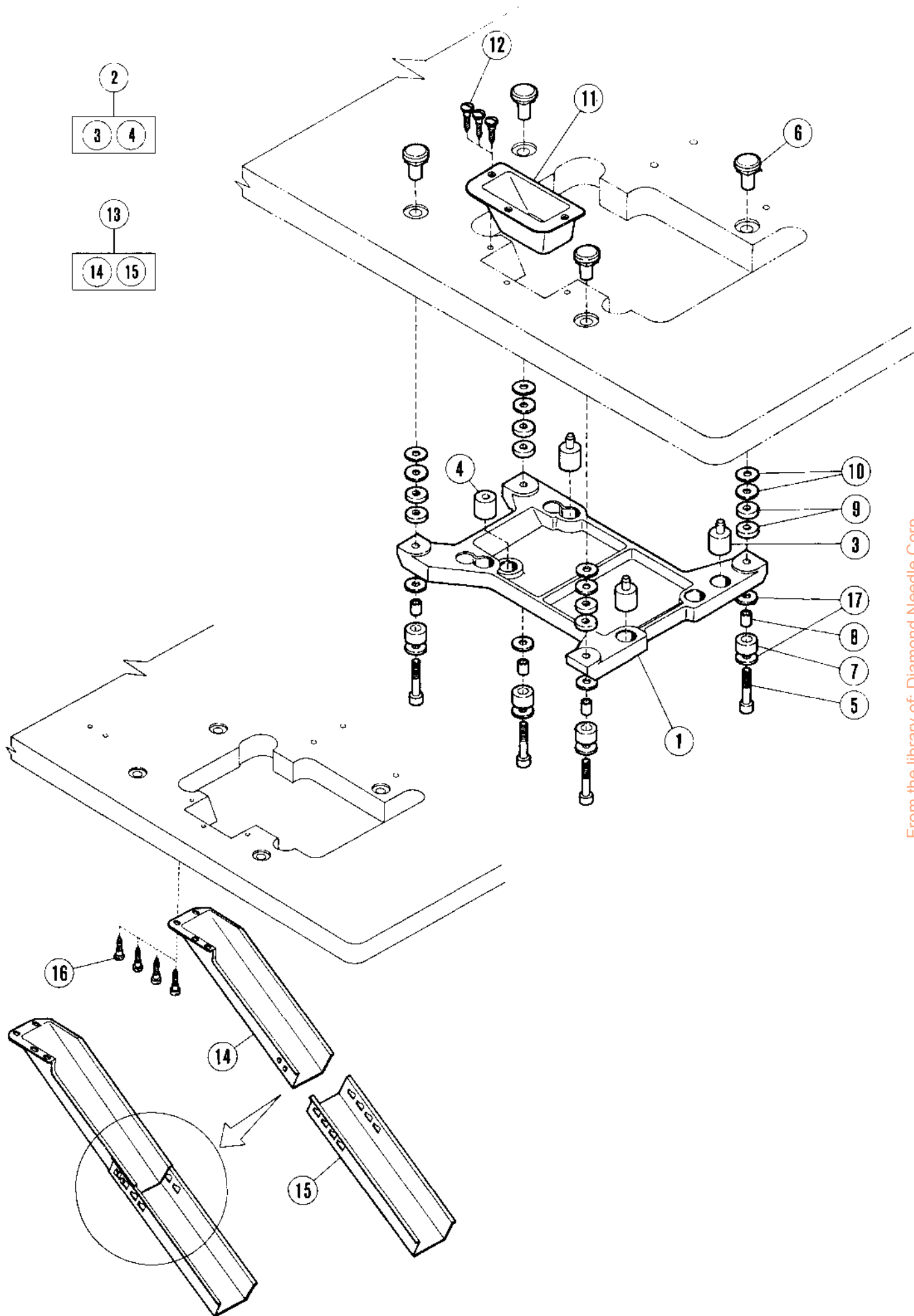




## 糸立台

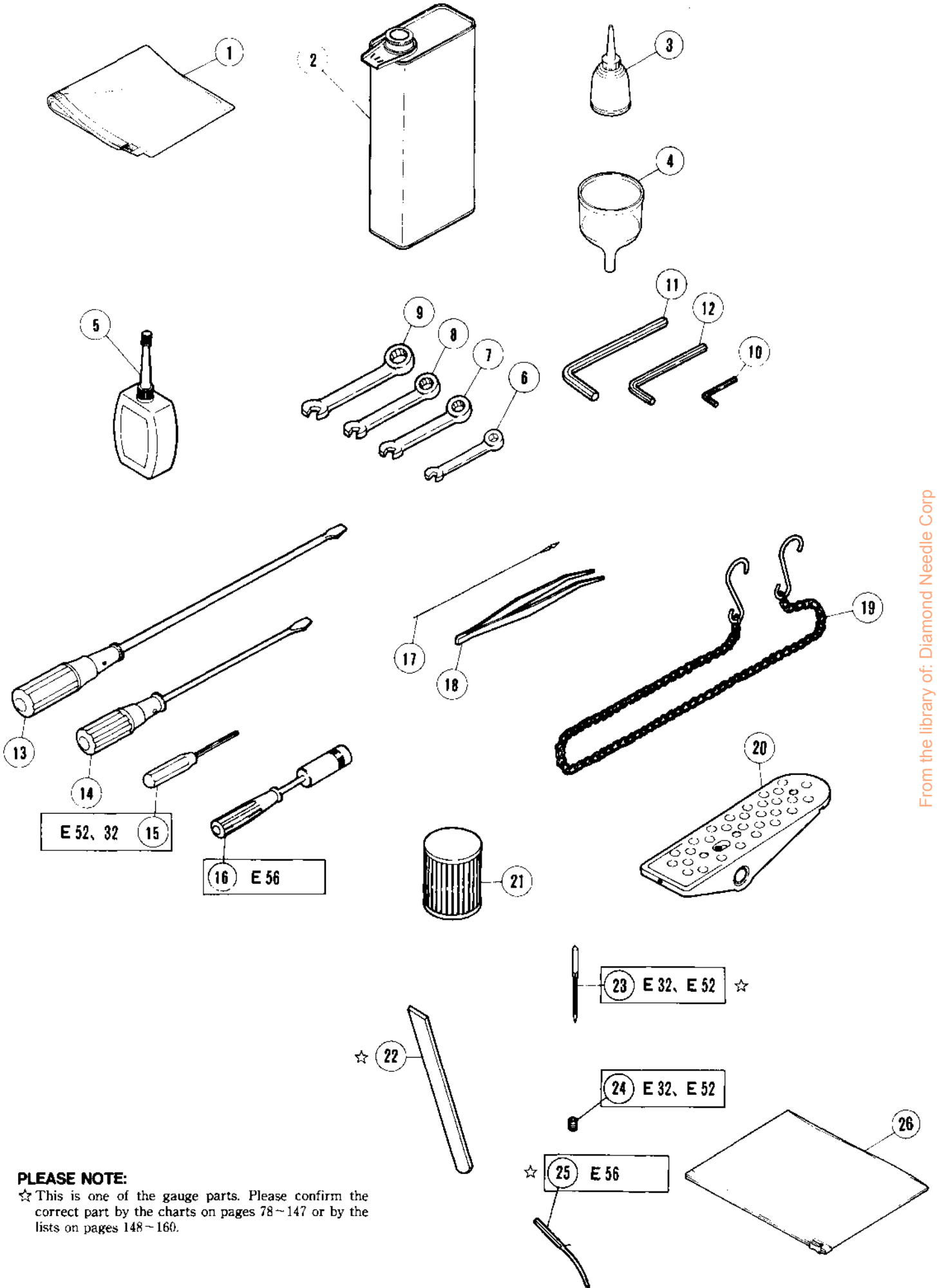
## THREAD STAND

REF. NO.	PART NO. ブ パ ン	メイショウ	NAME	SPOOLS: 3	4	QT 5
	486C91	糸立(組)(3本立)	Thread stand assembly (3-spools)	1		
	486B91	" " (4本立)	" " " (4-spools)		1	
	486A91	" " (5本立)	" " " (5-spools)			1
1	503-JA	スタンド棒(下)	Thread stand rod (lower)	1	1	1
2	509	座金	Washer	1	1	1
3	5476	六角ナット	Nut	1	1	1
4	505-JA	ブラケット(3本立)	Bracket	1		1
5	505AJA	" (2本立)	Bracket		2	1
6	380A	糸立棒	Spool pin	3	4	5
7	201252	バネ座金	Spring washer	3	4	5
8	4803	六角ナット	Nut	3	4	5
9	381-JA	糸立受皿	Spool tray	3	4	5
10	507	ウレタン	Seat	3	4	5
11	382-JA	ユレ止め	Spool retaining fig	3	4	5
12	7102	六角ネジ	Screw	1	2	2
13	512	座金	Washer	1	2	2
14	4022	平ネジ	Screw	1	2	2
15	502-JA	スタンド棒(上)	Thread stand rod (upper)	1	1	1
16	504-JA	ジョイント	Joint	1	1	1
17	4021	平ネジ	Screw	2	2	2
18	4805	六角ナット	Nut	2	2	2
19	383-JA	ブラケット	Bracket	1	1	1
20	384	糸道棒腕	Thread guide bar	1	1	1
21	4014	六角ネジ	Screw	1	1	1
22	4803	六角ナット	Nut	1	1	1
23	233-JA	ホルダー	Holder	1	1	1
24	4012	平ネジ	Screw	2	2	2
25	4803	六角ナット	Nut	2	2	2
26	293A	" (5本立)	Thread guide bar (5-spools)			1
27	293B	" (4本立)	Thread guide bar (4-spools)		1	
28	293C	" (3本立)	Thread guide bar (3-spools)	1		
29	4012	平ネジ	Screw	1	1	1
30	4803	六角ナット	Nut	1	1	1
31	505-JA	ブラケット(3本立)	Bracket	1		1
32	505AJA	ブラケット(2本立)	Bracket		2	1
33	506	糸目孔	Thread eyelet	3	4	5
34	7102	六角ネジ	Screw	1	2	2
35	512	座金	Washer	1	2	2
36	4022	平ネジ	Screw	1	2	2
37	386	キャップ	Cap	1	1	1



# PARTS FOR SEMI-SUBMERGED INSTALLATION

REF. NO.	PART NO.	NAME	QT.	MEMO
1	205466	MACHINE REST BOARD	1	
2	9029	CUSHION RUBBER SET	1	
3	205473	CUSHION RUBBER	3	
4	210523	CUSHION RUBBER	1	
5	4513	HANGER BOLT	4	
6	206336	NUT	4	
7	205764	CUSHION RUBBER	4	
8	205765	LINER	4	
9	205467	SPACER	12	
10	206337	WASHER	8	
11	205470-JA	WASTE CHUTE TOP	1	
12	4904	SCREW	3	
13	9050	WASTE CHUTE SET	1	
14	205468-JA	UPPER CHUTE	1	
15	205469-JA	LOWER CHUTE	1	
16	4905	SCREW	4	
17	206337	WASHER	8	



**PLEASE NOTE:**

☆ This is one of the gauge parts. Please confirm the correct part by the charts on pages 78~147 or by the lists on pages 148~160.

# ACCESSORIES

REF. NO.	PART NO.	NAME	QT.	MEMO
1	908	NYLON COVER	1	
2	453	OIL CONTAINER/1000CC	1	
3	485	OILER	1	
4	484	FUNNEL	1	
5	178	SILICONE OIL CONTAINER/50CC	1	
6	391	WRENCH 5MM	1	
7	283	WRENCH 6MM	1	
8	284	WRENCH 7MM	1	
9	285	WRENCH 8MM	1	
10	322	ALLEN KEY/2.38MM 3/32"	1	
11	272	ALLEN KEY/6.0MM 15/64"	1	
12	200	ALLEN KEY/4.76MM 3/16"	1	
13	127	SCREWDRIVER	1	
14	128	SCREWDRIVER	1	
15	179	ALLEN KEY DRIVER/1.56MM	1	
16	152	WRENCH/7MM		
17	153	THREADING WIRE	1	
18	131	TWEEZERS	1	
19	392	CHAIN	1	
20	478	TREADLE	1	
21	206233	OIL FILTER	1	
☆22	XXXXXX	LOWER KNIFE	2	
☆23	XXXXXX	NEEDLE	10	
24	5292	SCREW	2	
☆25	XXXXXX	NEEDLE	5	
26	482	ACCESSARY BAG	1	

515-E32-410 /212      515-E32-410A /212      515-E32-410 /211

NG x SW 2 x 3 210833 2 x 4 210834 2 x 5 210835 2 x 6 210836 3 x 3 210837 3 x 4 210838 3 x 5 210839 3 x 6 210840	
---	--

210892

210887	210919
--------	--------

210578

210486	204425
--------	--------

210889

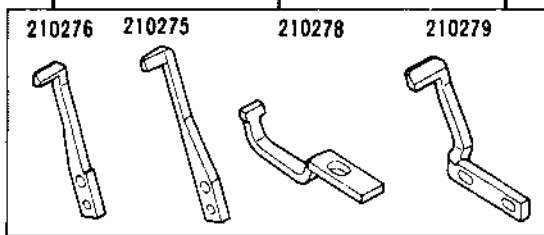
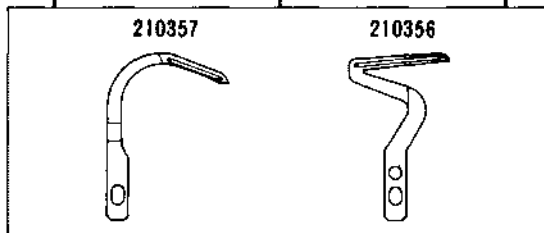
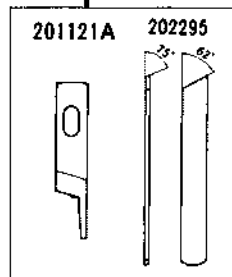
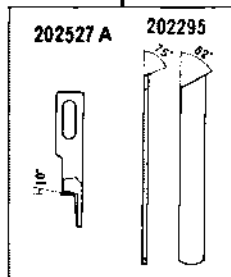
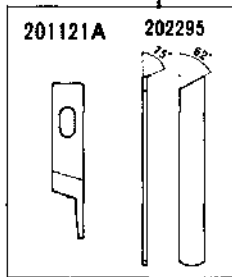
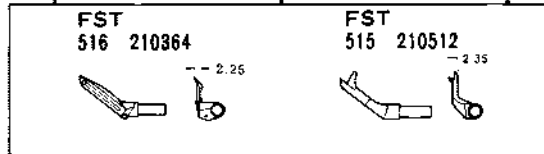
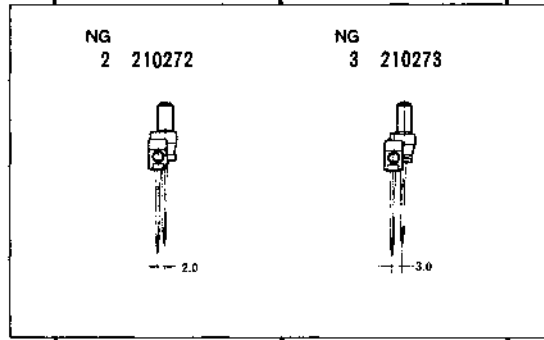
210491

NG 2 208503	NG 3 208504
----------------	----------------

NG x SW 2 x 2 211907 2 x 3 211907 2 x 4 211908 2 x 5 211908	NG x SW 3 x 3 211909 3 x 4 211909 3 x 5 211910 3 x 6 211910
---	---

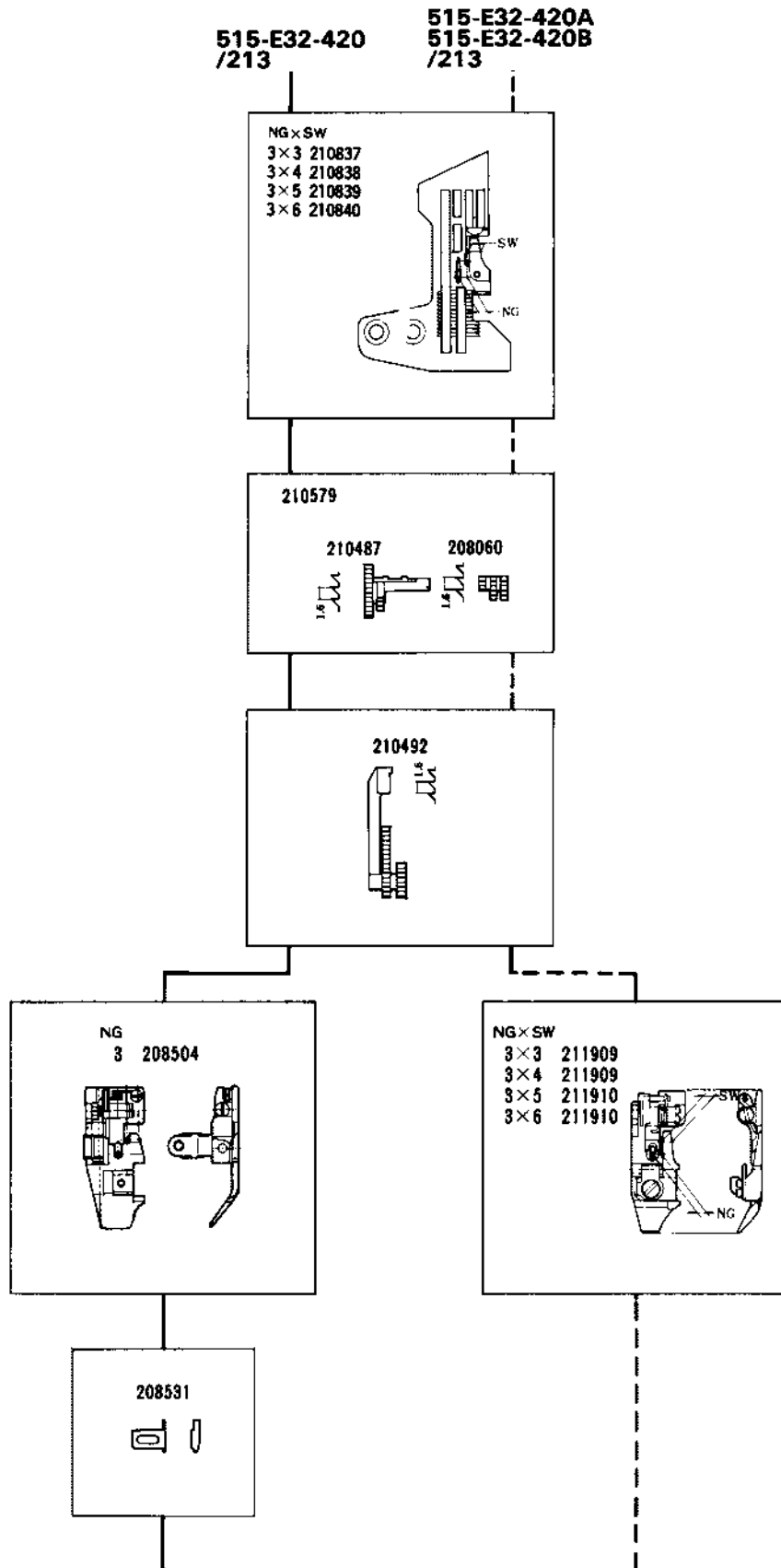
208531

515-E32-410 /212      515-E32-410A /212      515-E32-410B /212



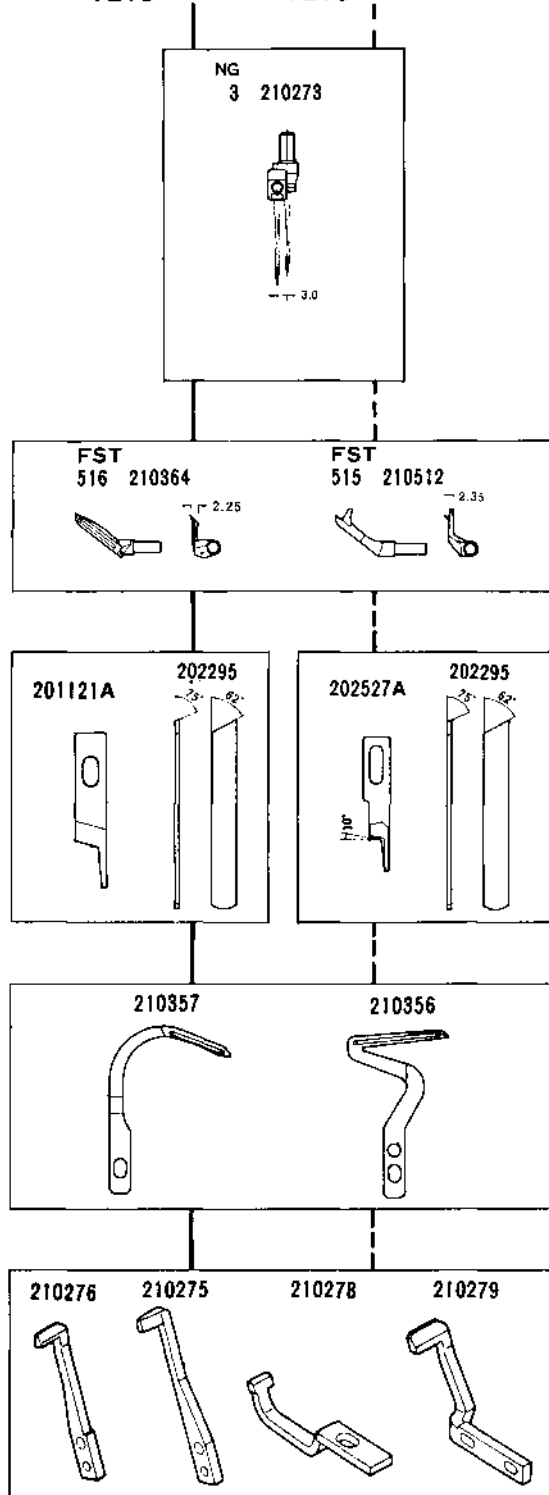
						MEMO	
515-E32-410/211-	3.6	2 3	3·4·5·6	0.7~2	7,500		Specially designed to prevent seam puckering. The extra fine tooth pitch (1.0mm) makes it ideal for permapress fabrics, nylon linings etc.
515-E32-410/212-						Fine tooth pitch makes these ideal for seaming on permapress fabrics, nylon linings etc.	
515-E32-410A/212-						Ideal for seaming on permapress fabrics, nylon linings, etc. Specially designed for curved seaming. Equipped with an ordinary presser arm.	
515-E32-410B/212-						Ideal for seaming on permapress fabrics, nylon linings, etc. Specially designed for curved seaming. Equipped with a floating presser arm.	












From the library of: Diamond Needle Corp

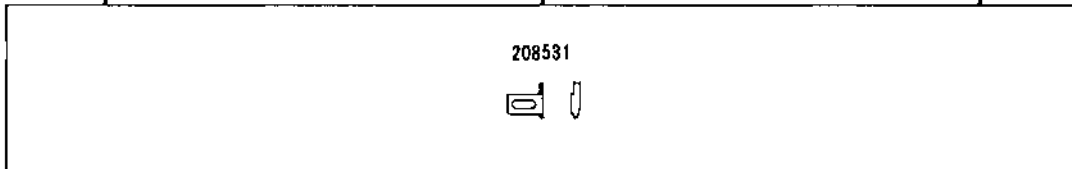
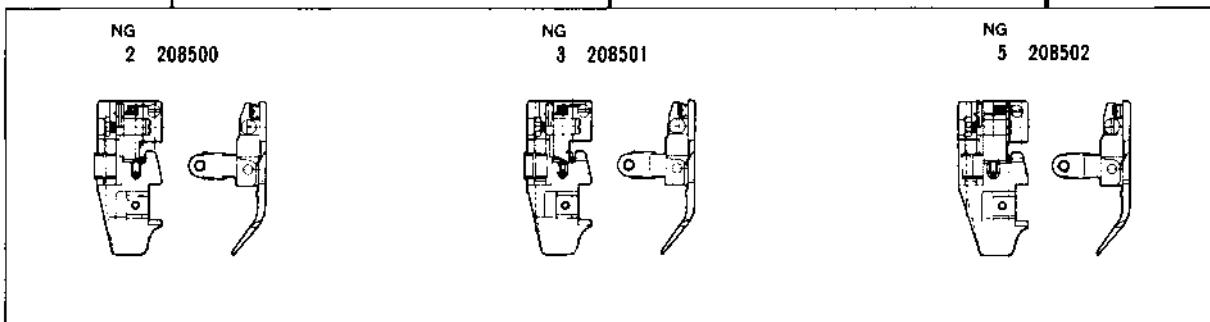
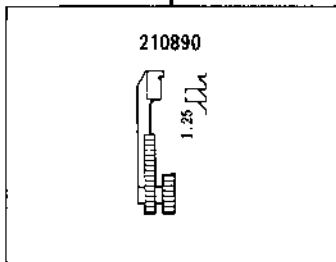
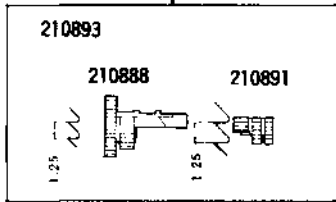
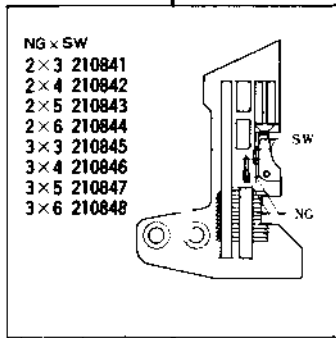
515-E32-420 /213      515-E32-420A /213  
 515-E32-420B /213



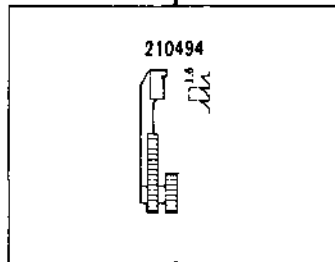
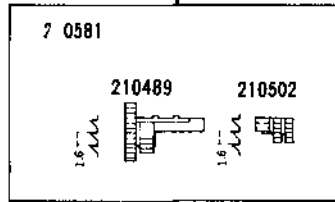
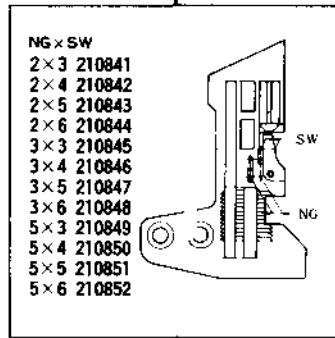
From the library of: Diamond Needle Corp

						MEMO	
515-E32-420/213-							For general seaming on woven or knit fabrics such as slacks, pajamas, shirts, sweatpants etc.
515-E32-420A/213-	3.6	3	3-4-5-6	0.7~2	7,500		Seaming on light to medium weight fabrics. Specially designed for curved seaming. Equipped with an ordinary presser arm.
515-E32-420B/213-							Seaming on light to medium weight fabrics. Specially designed for curved seaming. Equipped with a floating presser arm.

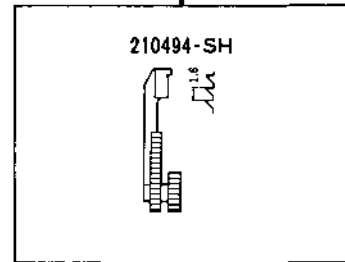
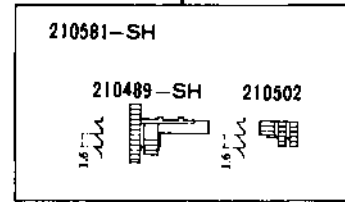
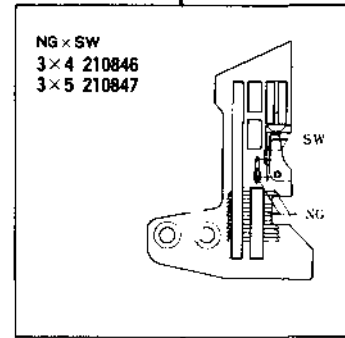
515-E32-411  
/232

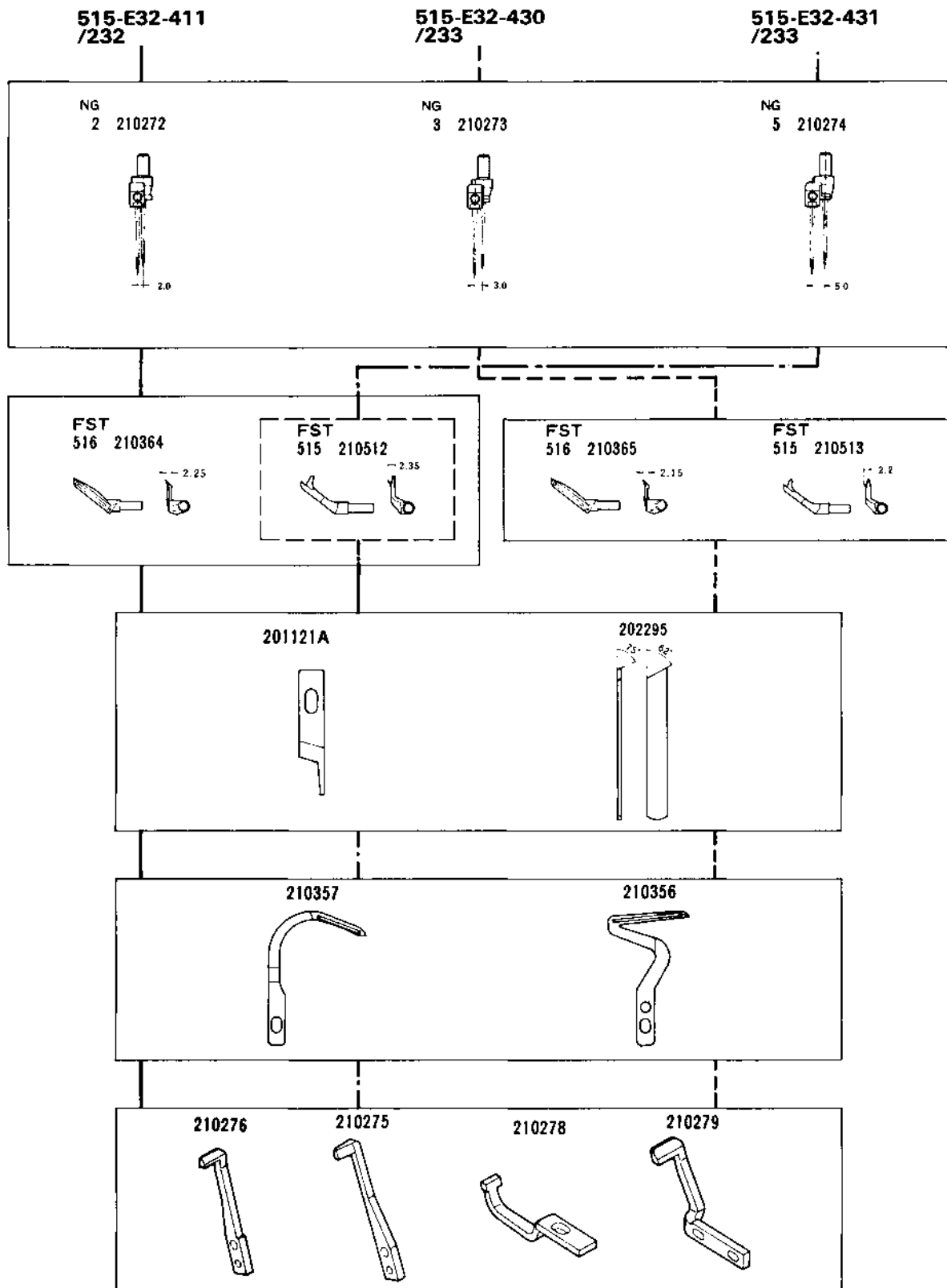


515-E32-430  
/233










515-E32-431  
/233

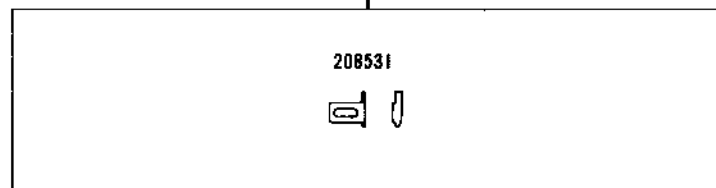
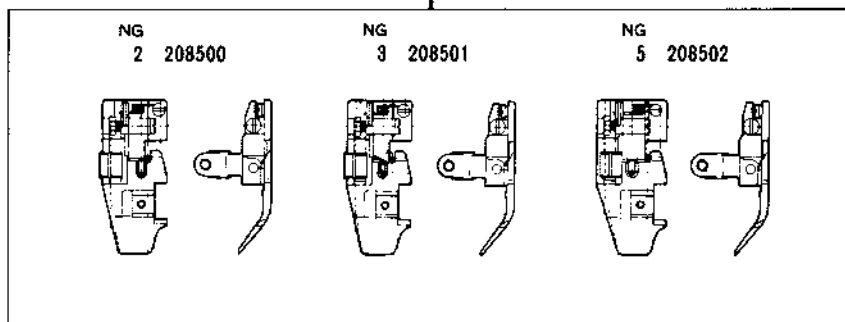
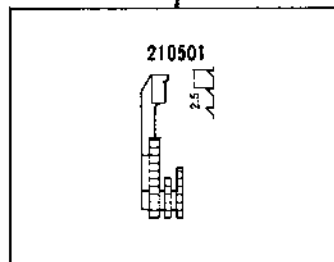
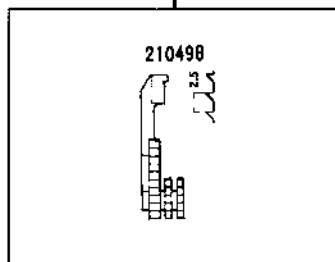
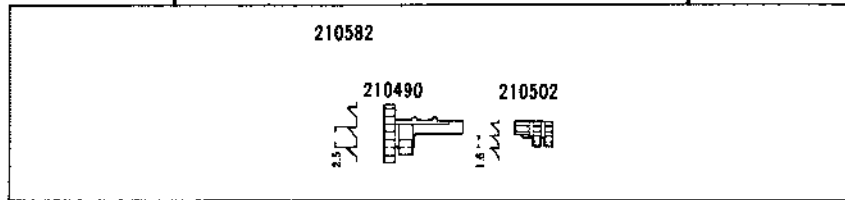
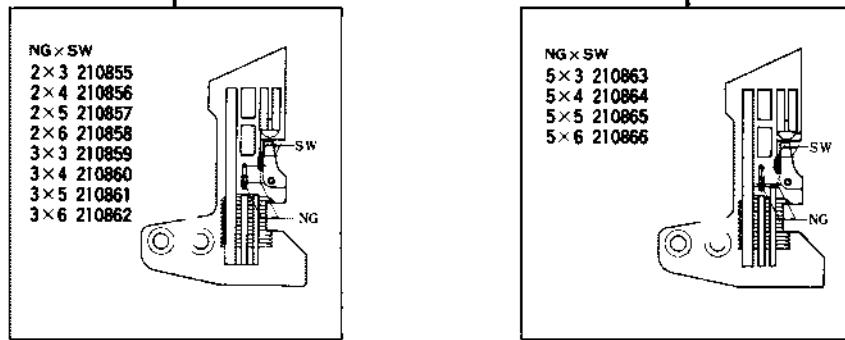




From the library of: Diamond Needle Corp

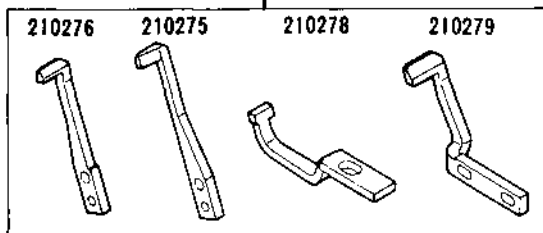
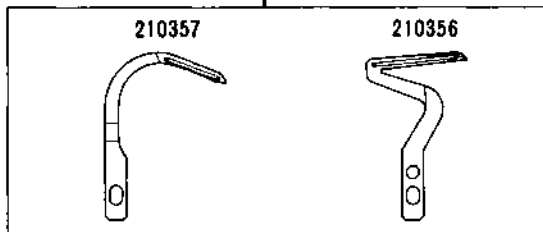
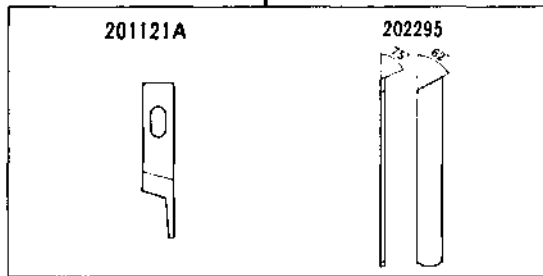
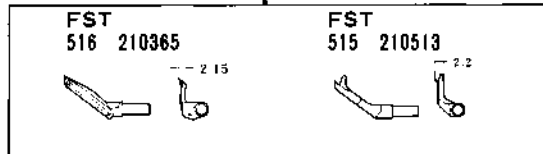
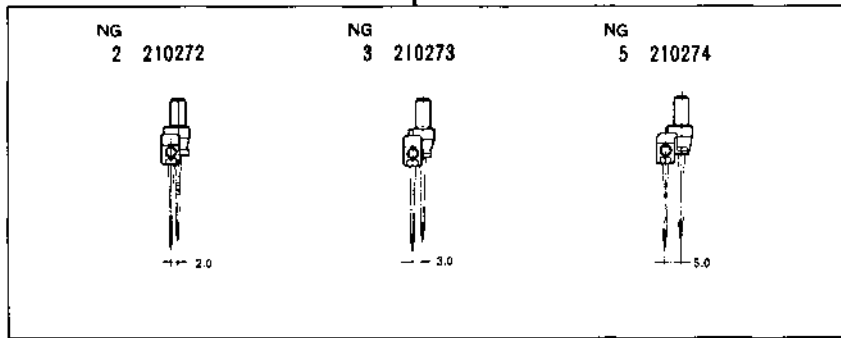
						MEMO	
515-E32-411/232-	3.6	2	3-4-5-6	0.7-2	7,500		Fine tooth pitch makes these ideal for seaming on permapress fabrics, nylon linings etc
515-E32-430/233-		2	3-4-5-6				
515-E32-431/233-		3	4-5				








515-E32-440  
/255

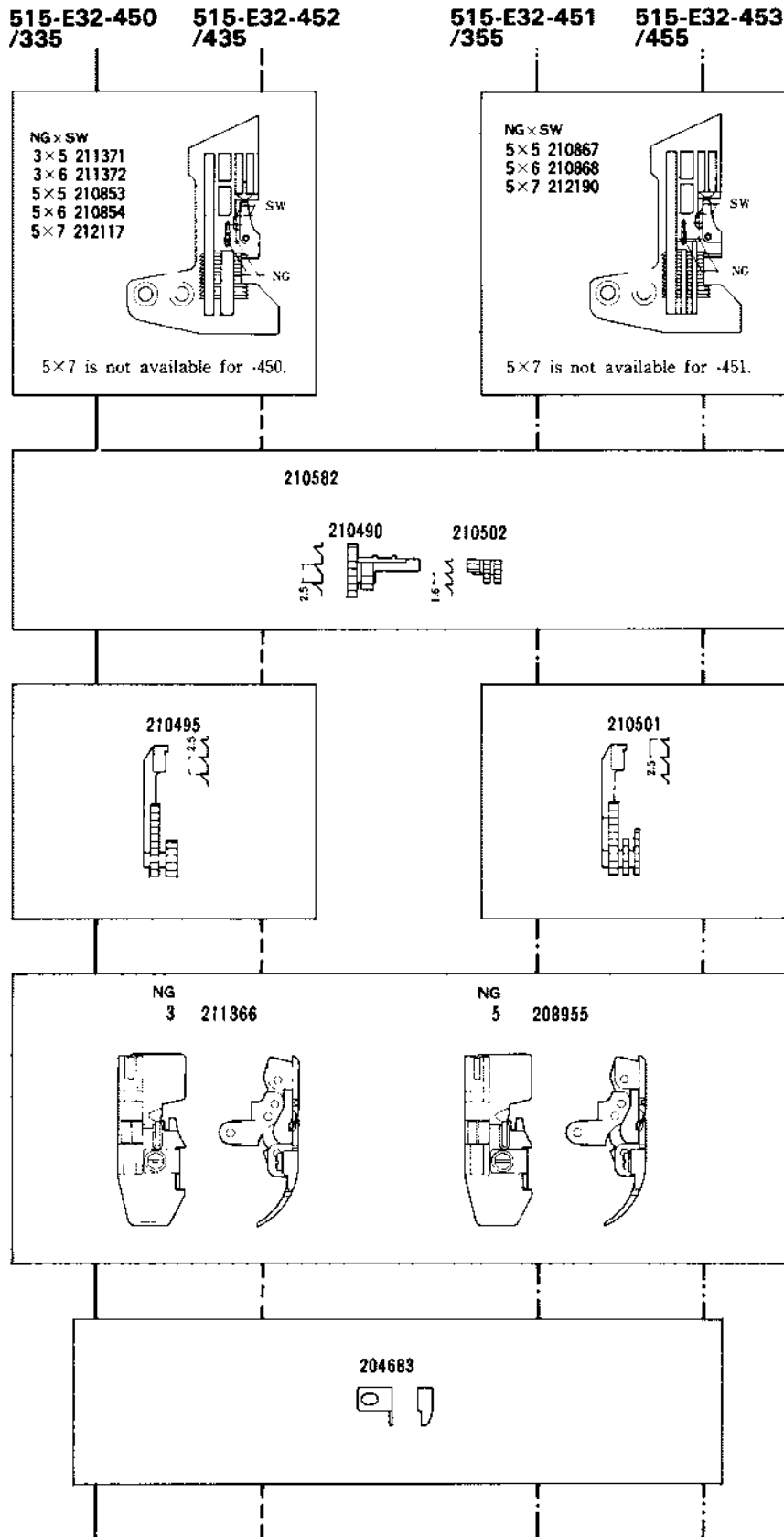


From the library of: Diamond Needle Corp

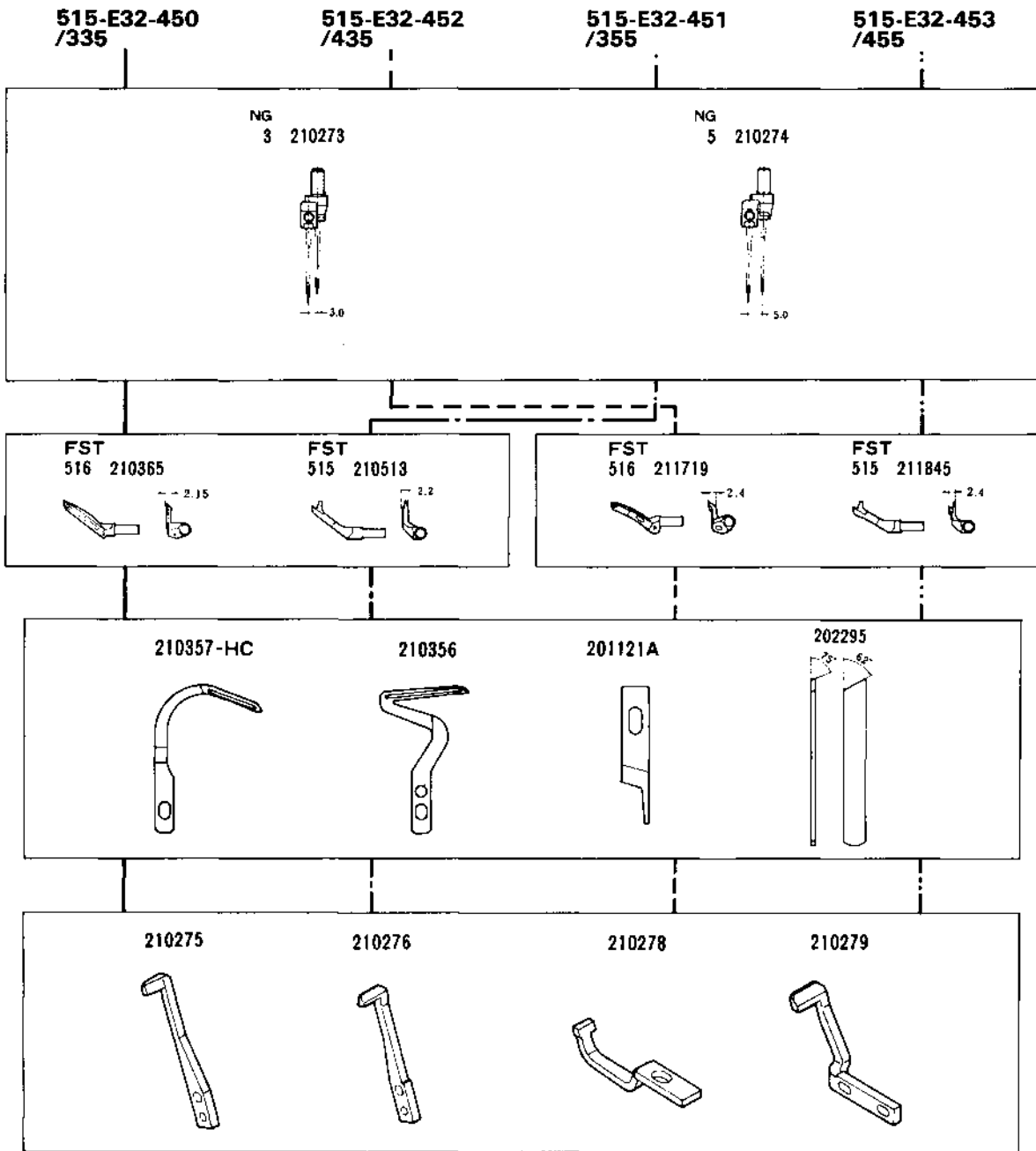
515-E32-440  
/255












						MEMO	
515-E32-440/255-	3.6	2 3 5	3·4·5·6	0.7~2	7,000		For Seaming on heavyweight materials such as jeans.



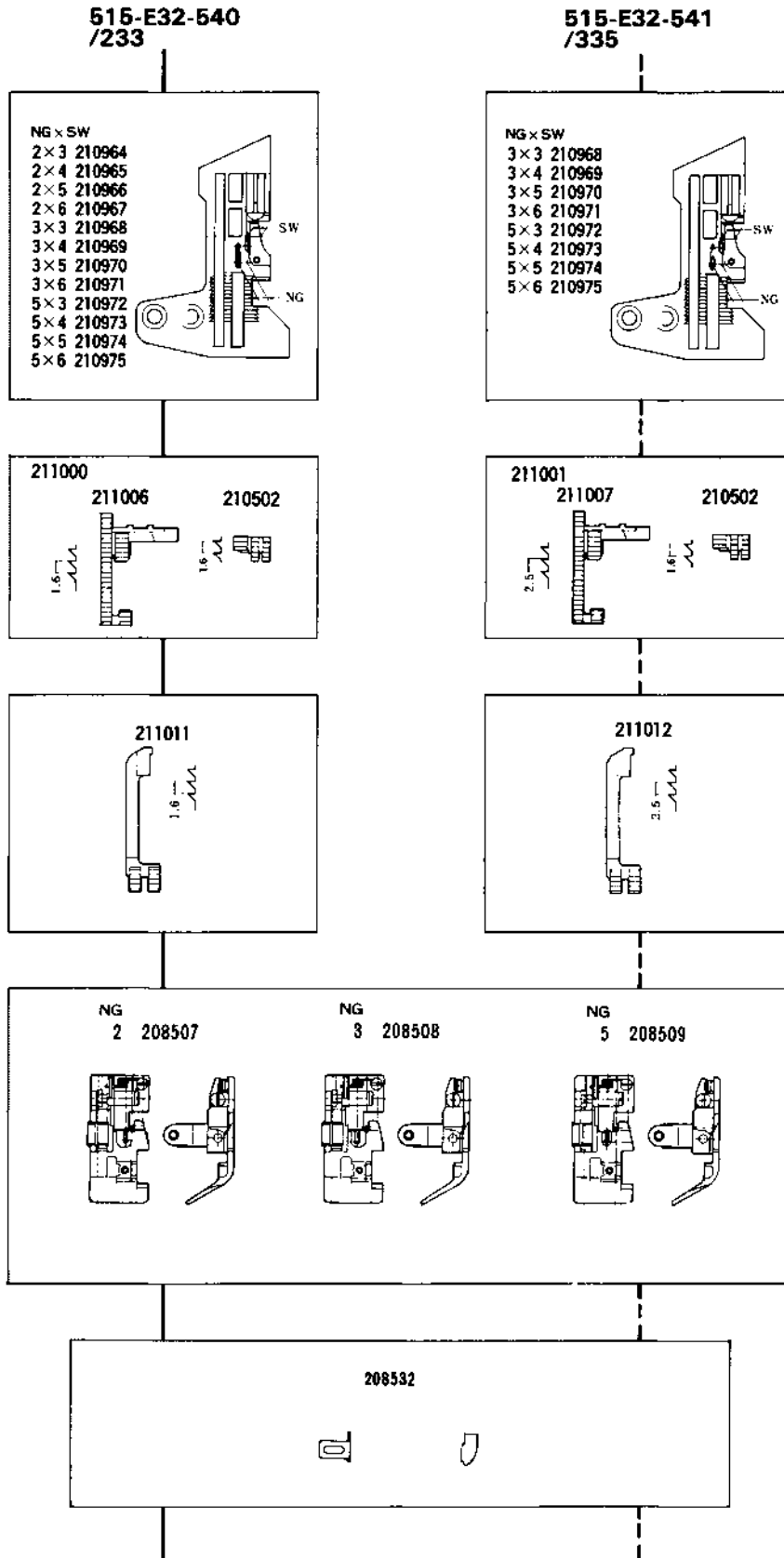
From the library of: Diamond Needle Corp



From the library of: Diamond Needle Corp

							MEMO	
515-E32-450/335-	5	3 5	5-6	0.7~1.4	6,500			 Fitted with caterpillar foot for trouble-free seaming on jeans, workwear etc.
515-E32-451/355-		5	5-6					
515-E32-452/435-		3 5	5-6-7					
515-E32-453/455-		3 5	5-6-7					

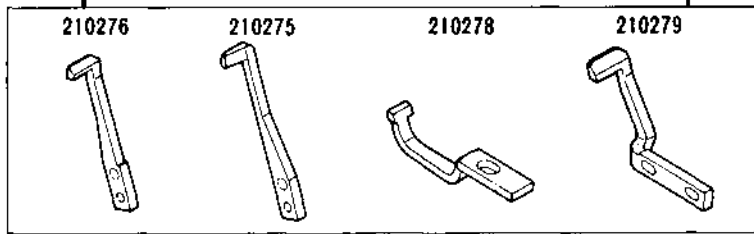
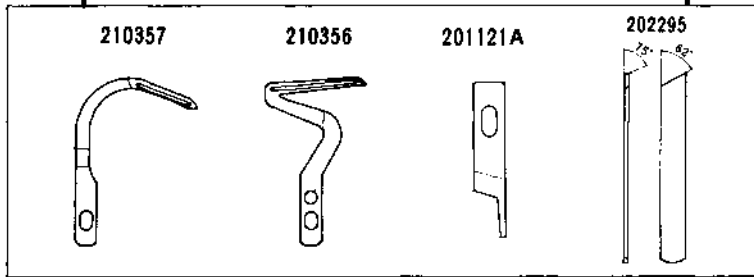
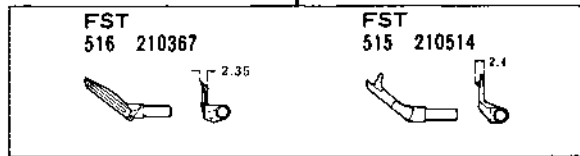
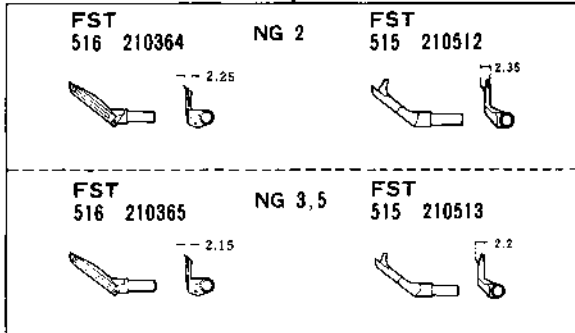
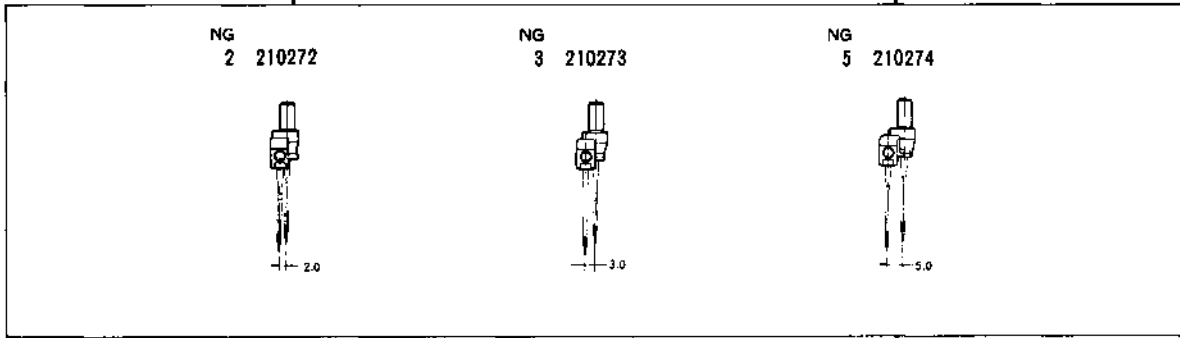




From the library of: Diamond Needle Corp

515-E32-540  
/233

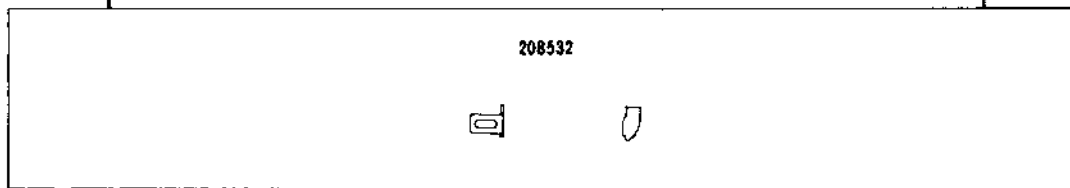
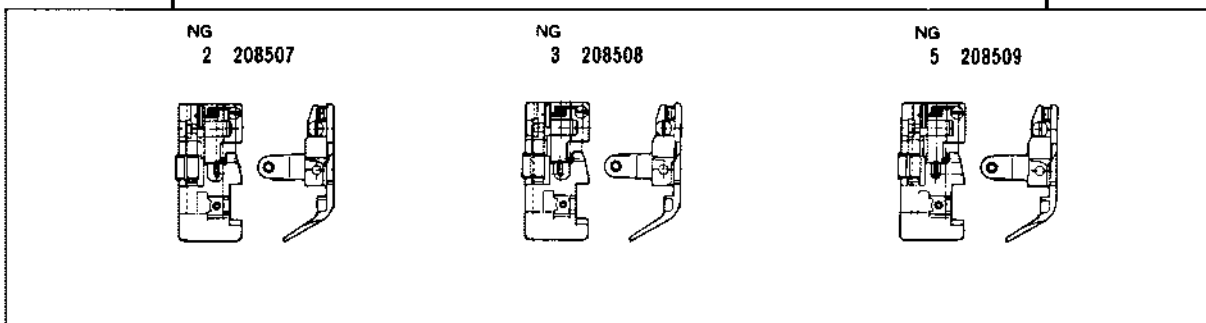
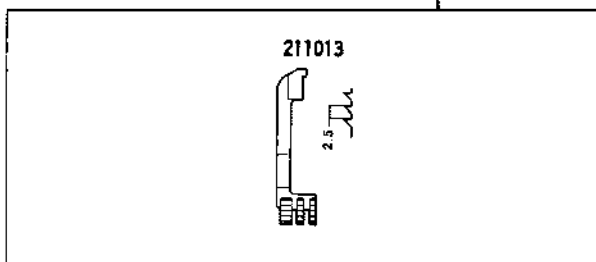
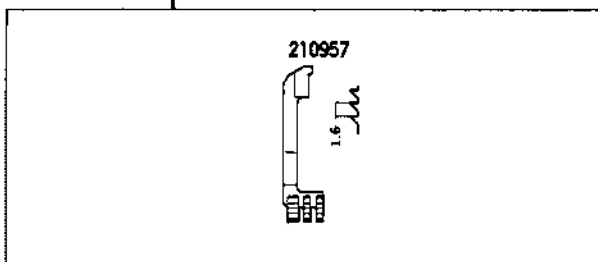
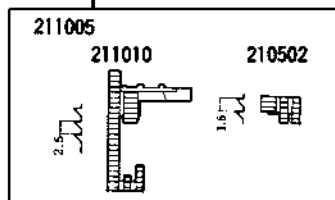
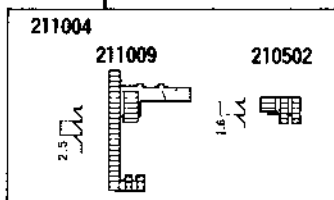
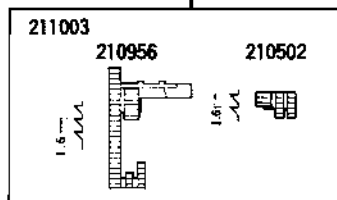
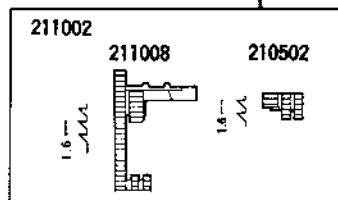
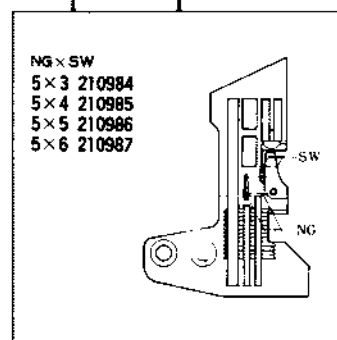
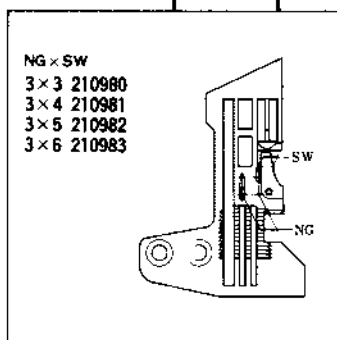
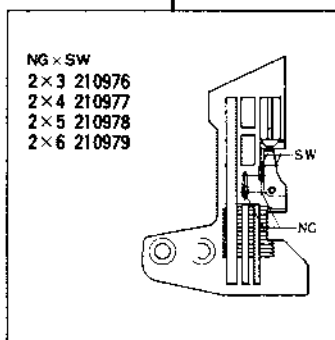
515-E32-541  
/335



						MEMO	
515-E32-540/233-	3.2	2 3 5	3-4-5-6	0.8~3	7,000		For intermittent stirring on light to medium weight materials such as negligee, curtains etc.
515-E32-541/335-		3 5					For stirring on heavier weight materials such as nightgowns, curtains etc.

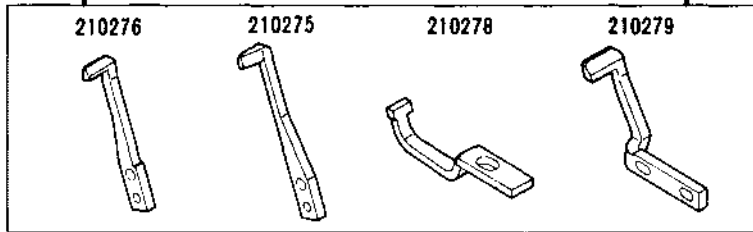
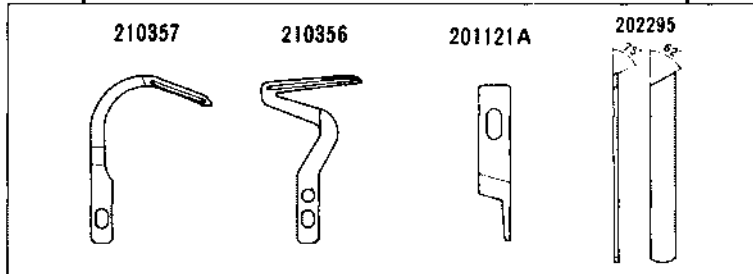
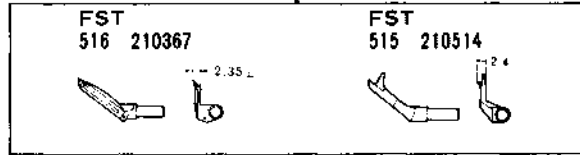
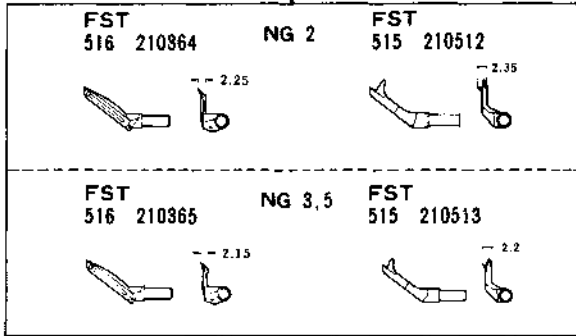
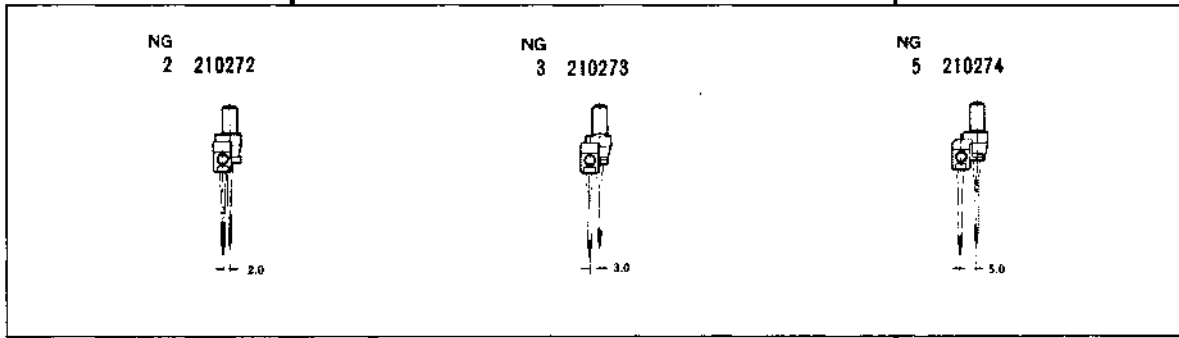
515-E32-542  
/253

515-E32-543  
/356

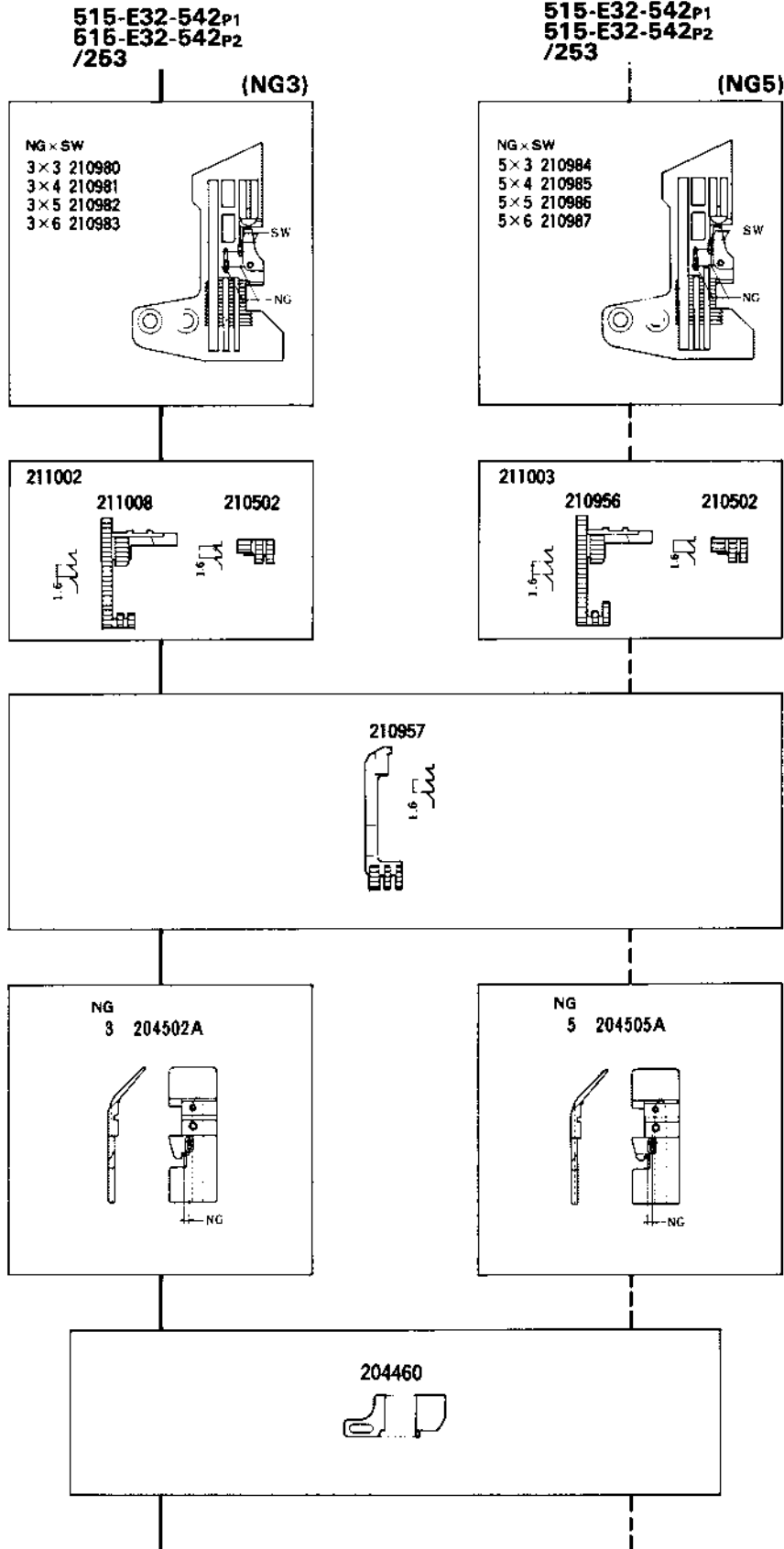


515-E32-542  
/253

515-E32-543  
/355

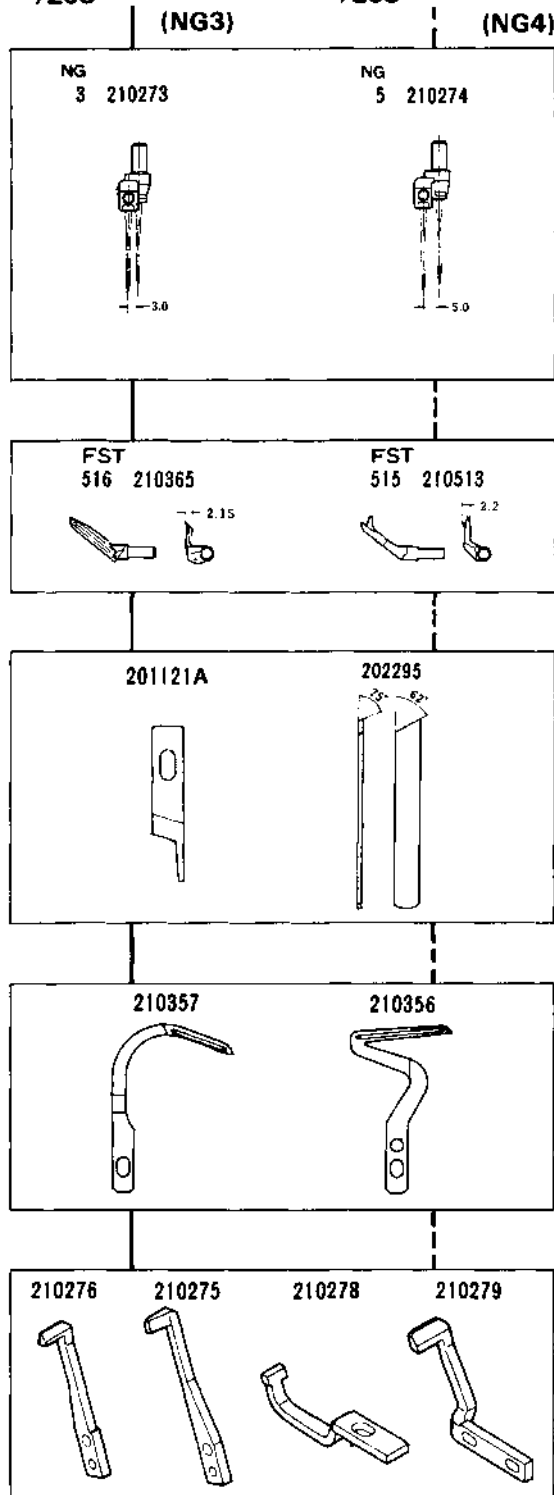


						MEMO	
515-E32-542/253-	3.2	2 3 5	3-4-5-6	0.8-3	7,000		For intermittent shirring on light to medium weight materials such as negligee, curtains etc.
515-E32-543/355-		3 5					For shirring on heavier weight materials such as nightgowns, curtains etc.

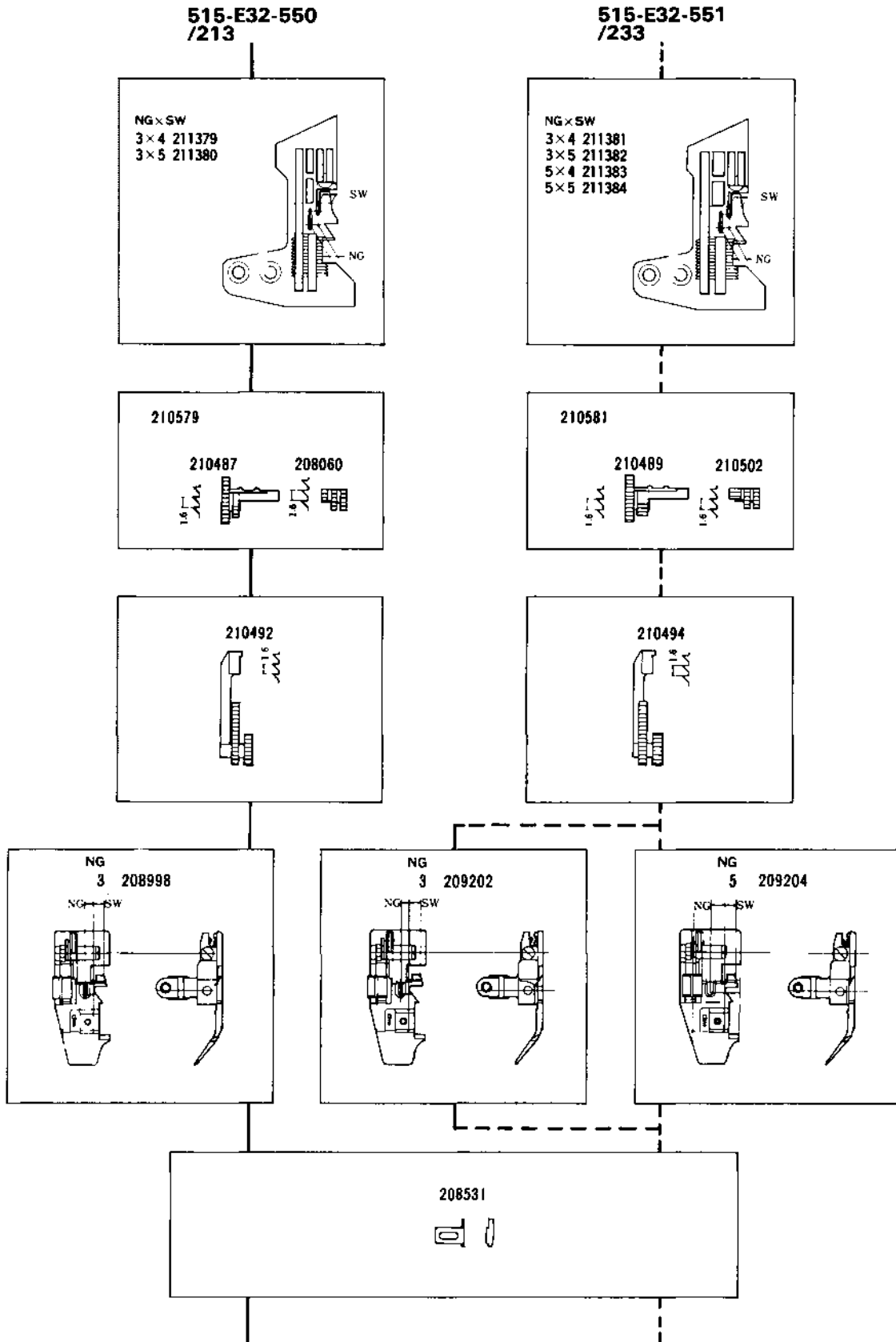


515-E32-542P1  
515-E32-542P2  
/253

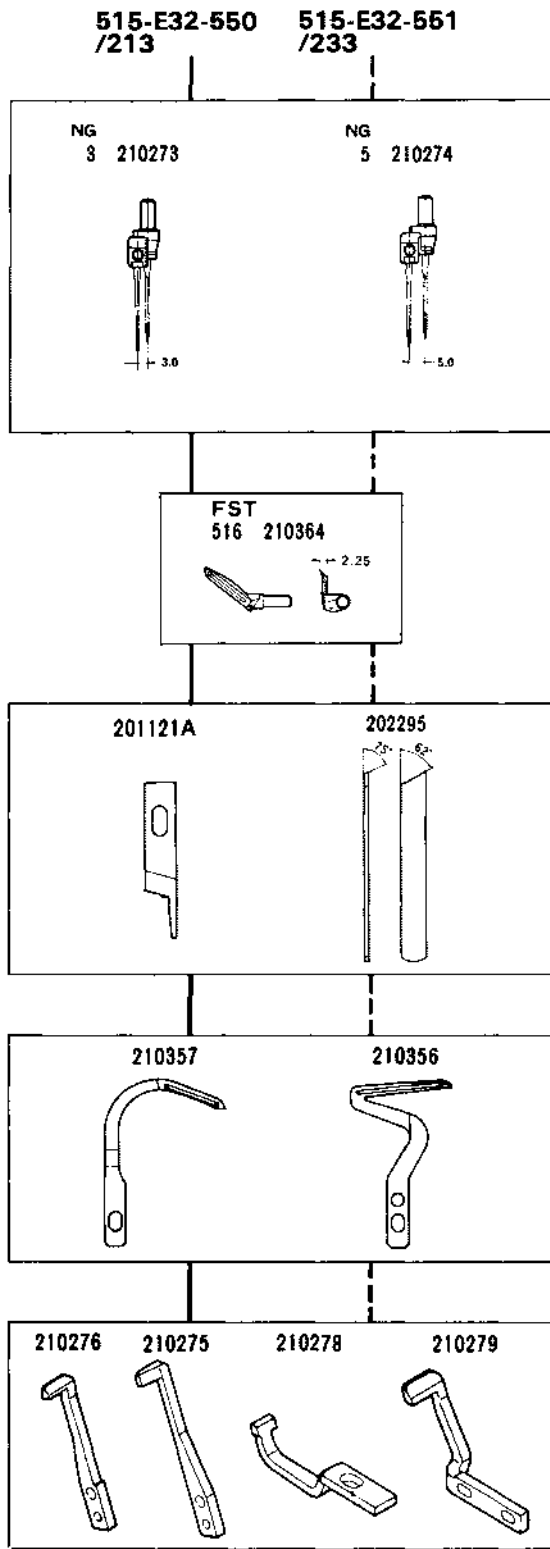
515-E32-542P1  
515-E32-542P2  
/253



						MEMO	
515-E32-542P1/253-	3.2	3	3·4·5·6	0.8-3	5,000		Shirring/piping on light to medium weight fabrics such as pajamas, training wear. P1: The tape binder is an option. P2: The tape binder for a tape of 20mm wide is equipped with the machine.
515-E32-542P2/253-		5					



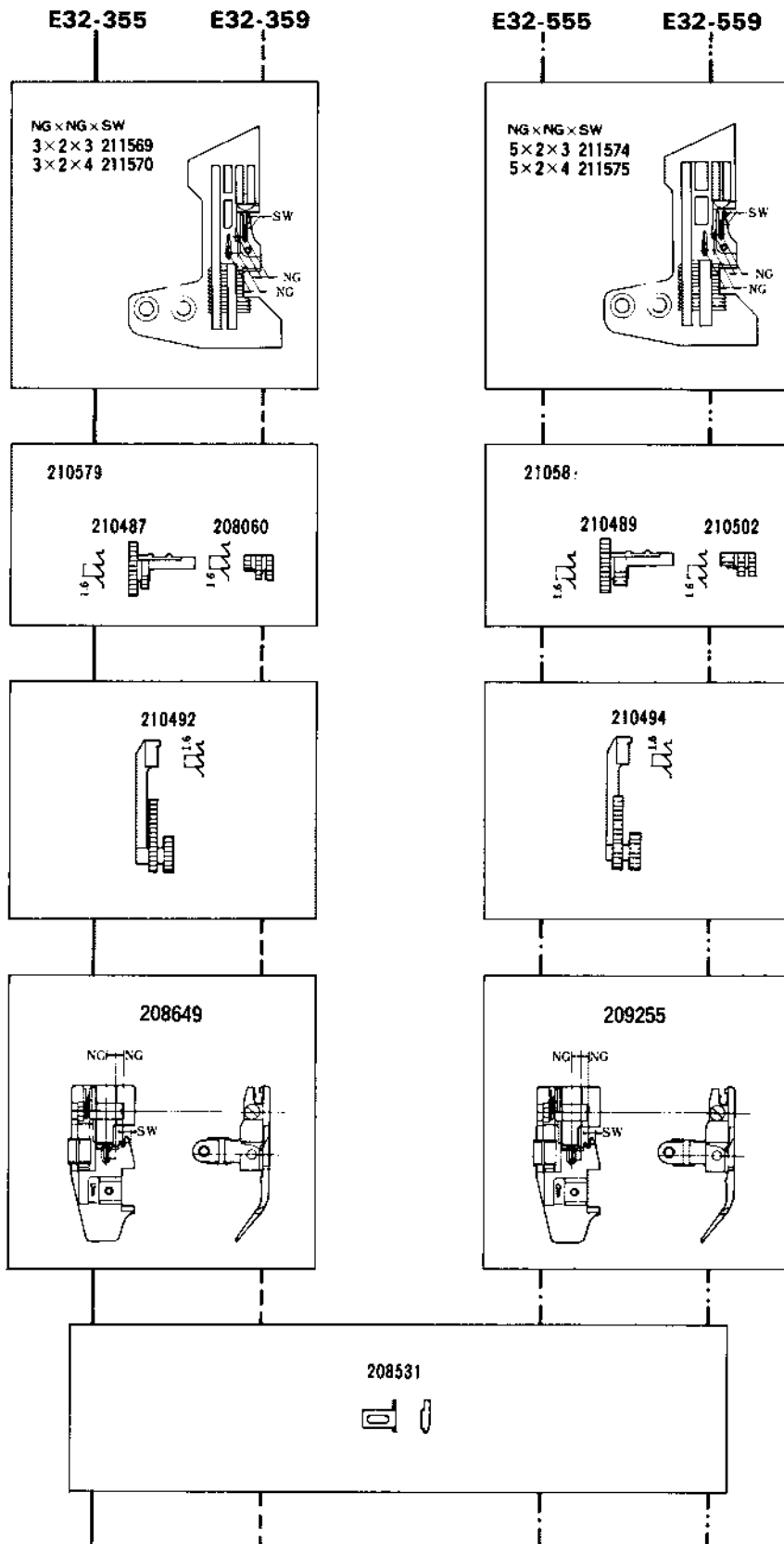
From the library of: Diamond Needle Corp

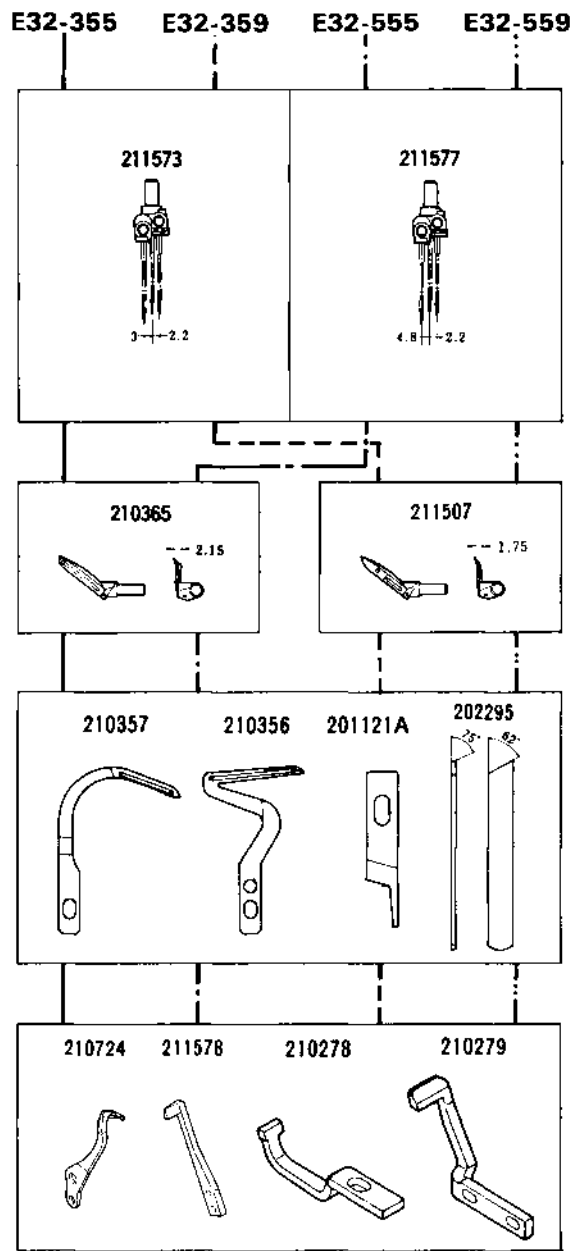







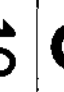

From the library of: Diamond Needle Corp

							MEMO	
515-E32-550/213-	3.6	3	3-4	0.7~2	7,500		Fitted with a binding attachment to insert a tape inside seam. Ensures high quality results.	
515-E32-551/233-		3 5	4-5					

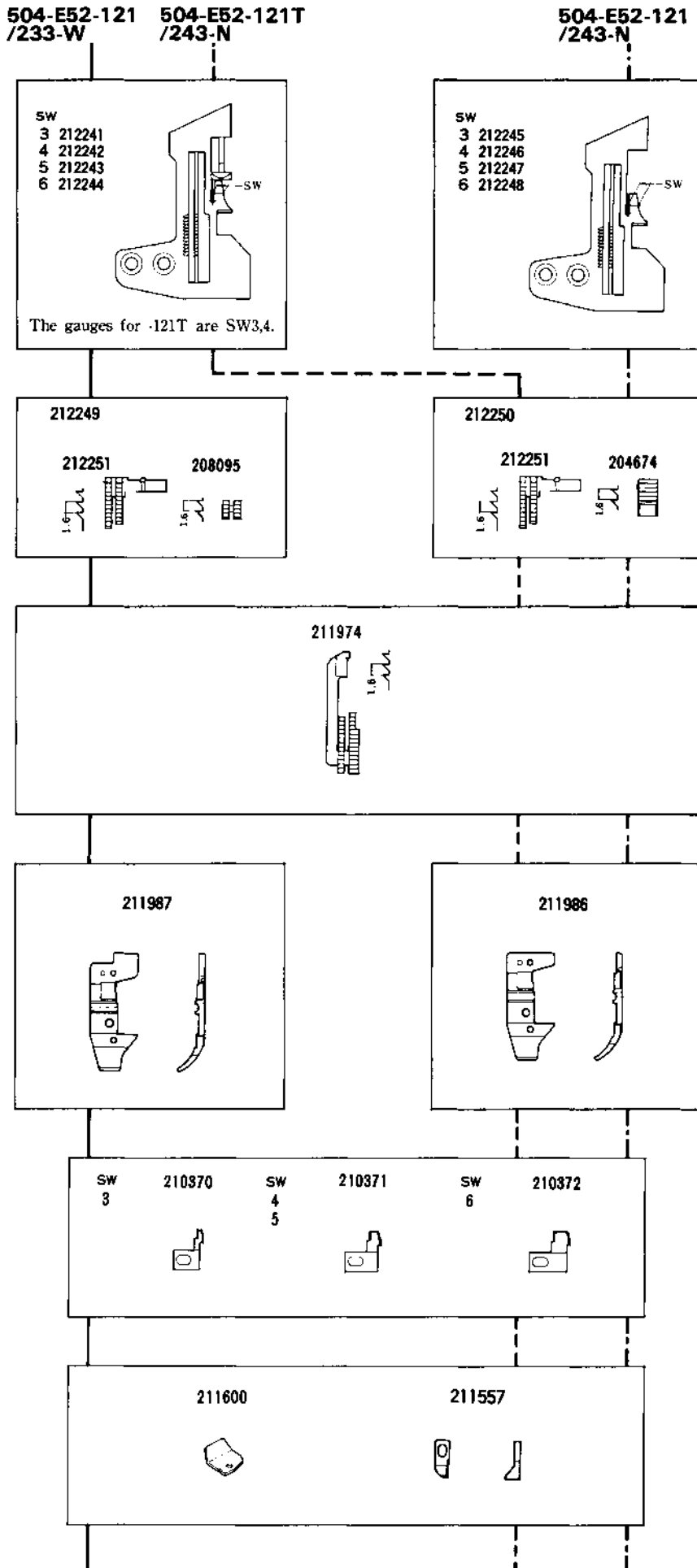




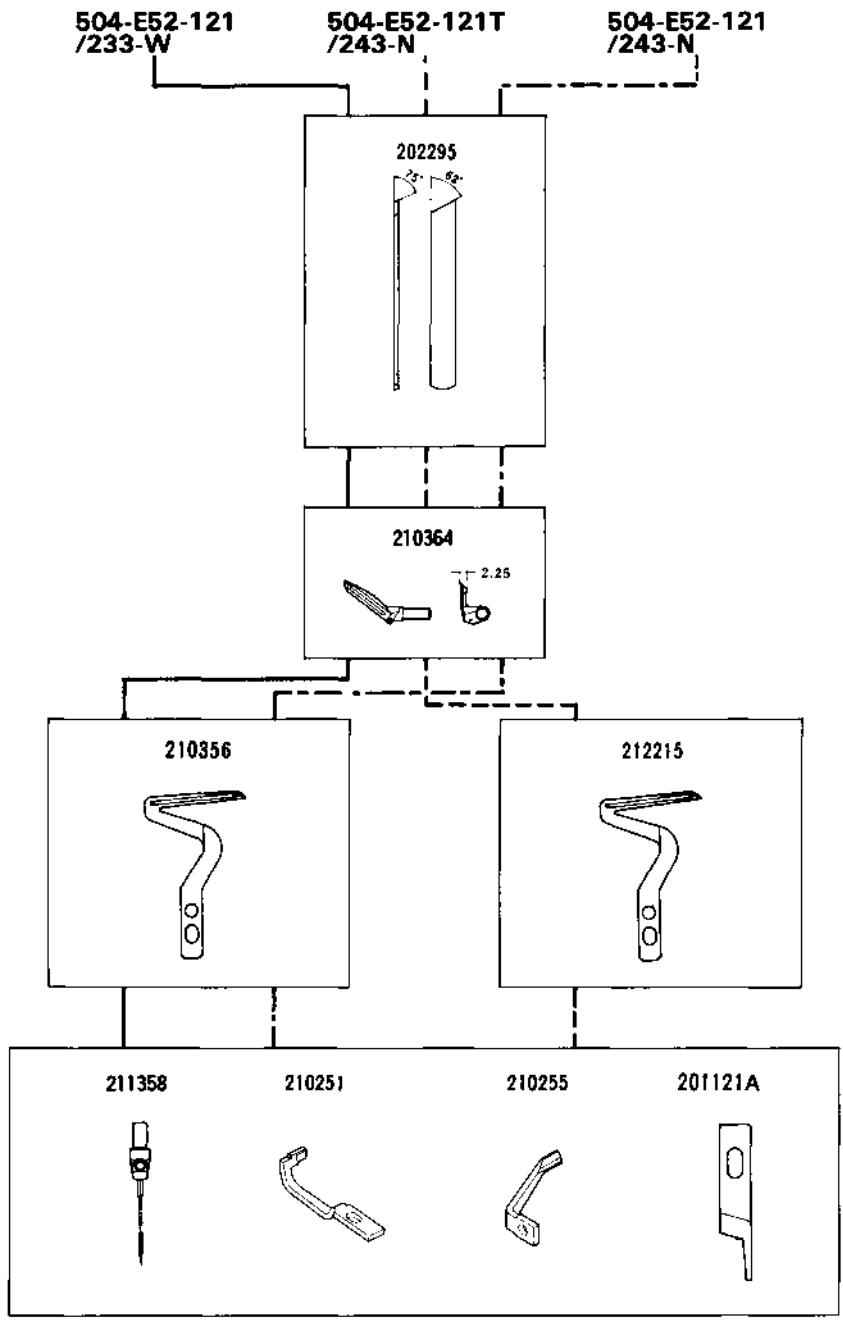


						MEMO	
E32-355/313-	3.6	3×2	3-4	0.7~2	7,000		Versatile high speed machines. Five different stitch types make them especially suitable for short run, high fashion locations. Two further stitch types (503, 515) can be obtained merely by changing the upper looper.
E32-359/313-							
E32-555/333-		5×2					
E32-559/333-							








504-E52-121  
504-E52-121T



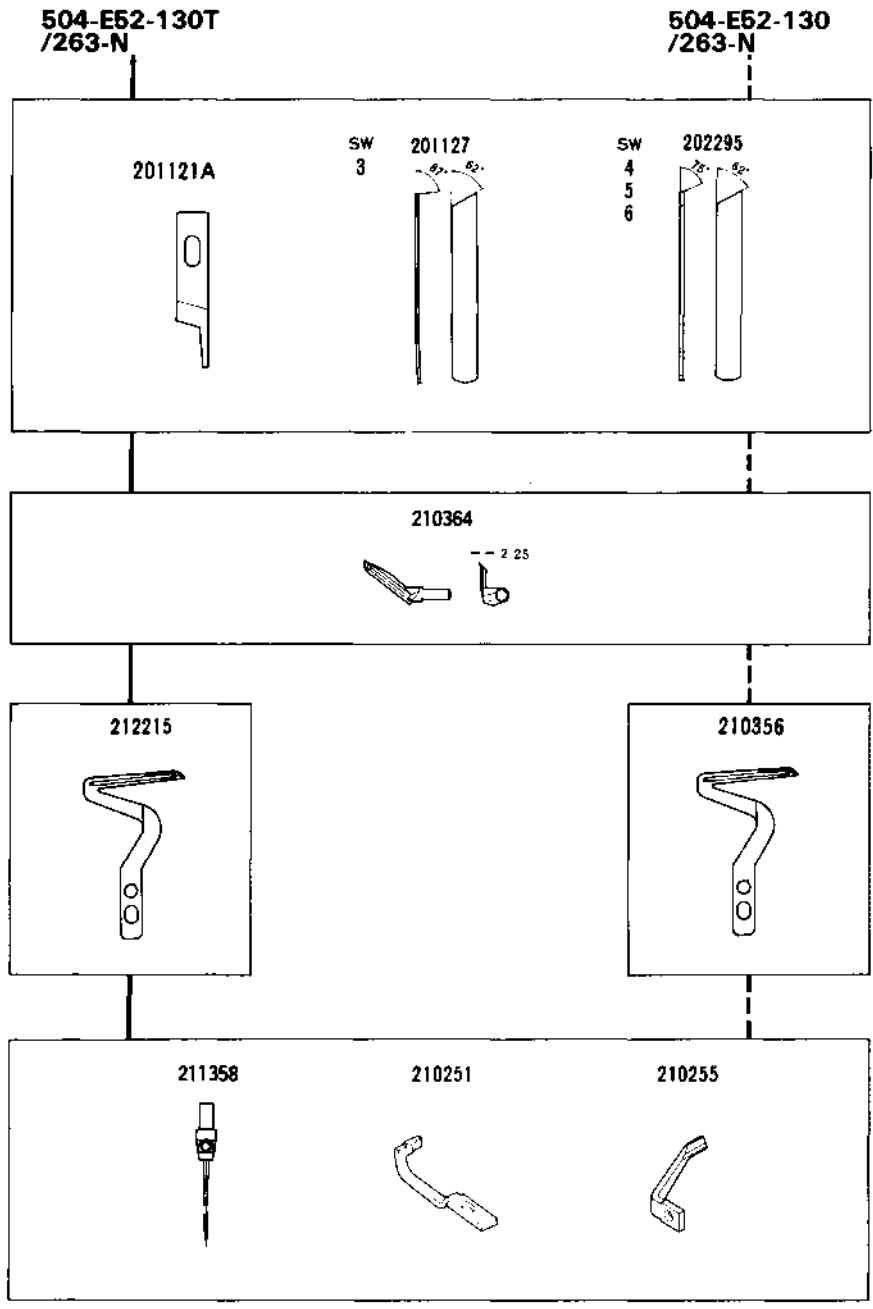
From the library of: Diamond Needle Corp



From the library of: Diamond Needle Corp

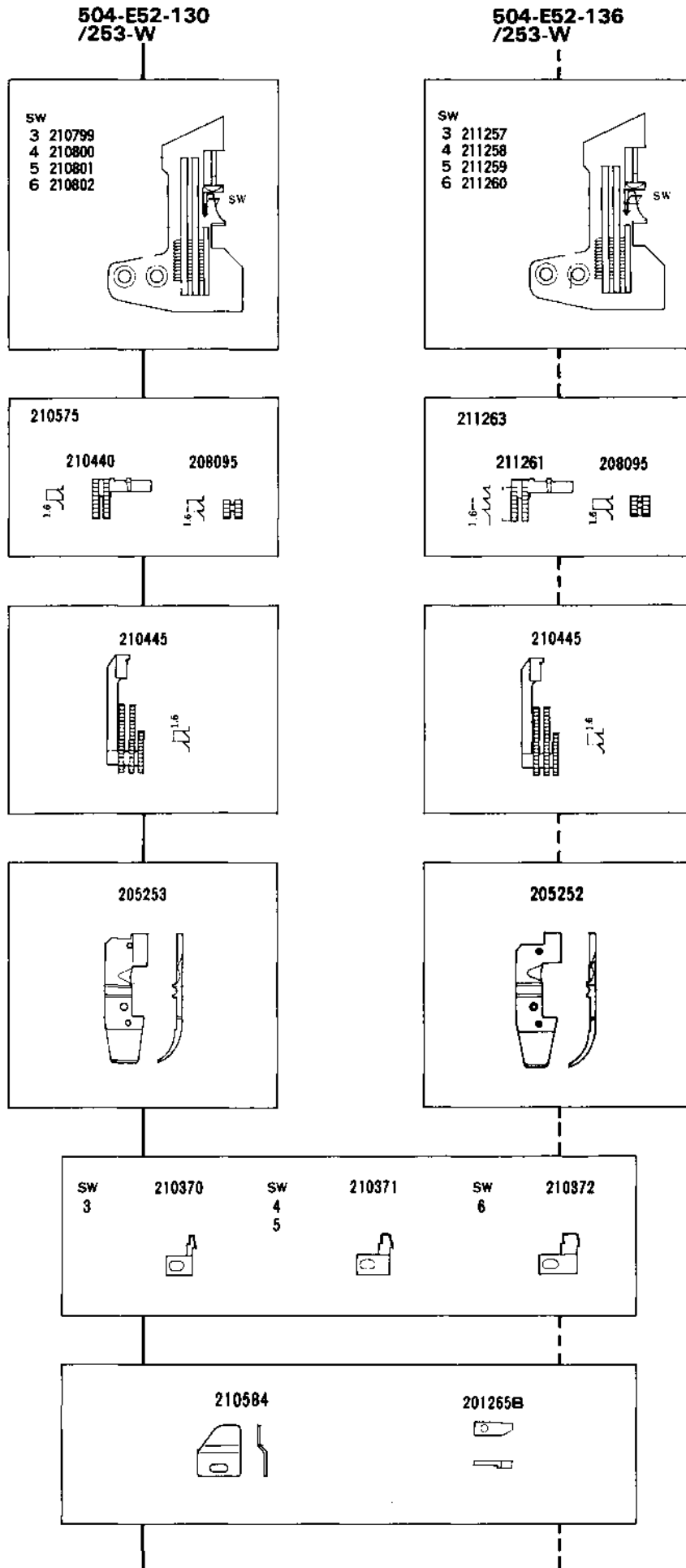
						MEMO	
504-E52-121/233-W	3.2	3-4-5-6	0.7-2	8,000			Seaming on foundations, light weight sweaters, dresses, etc.
504-E52-121/243-N							
504-E52-121T/243-N						Seaming with a soft seam (stretchable thread chain) on foundations, light weight sweaters, dresses, etc.	

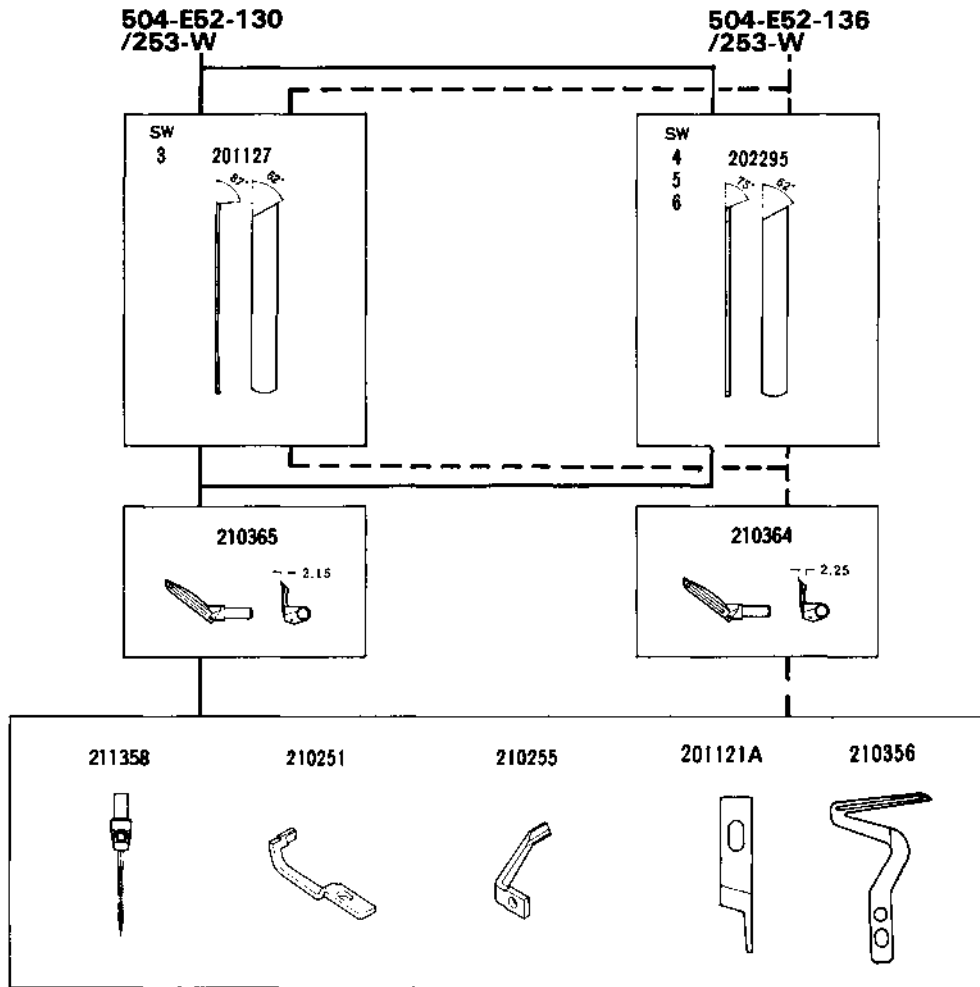




From the library of: Diamond Needle Corp

						MEMO	
504-E52-130T/263-N	3.6	/	3-4-5-6	0.7-2	8,000		General searning with a soft seam (stretchable thread chain) on light to medium weight fabrics.
504-E52-130/263-N							For sleeve, side and shoulder closing operations on light to medium weight materials such as underwear and ladies' and children's outerwear.



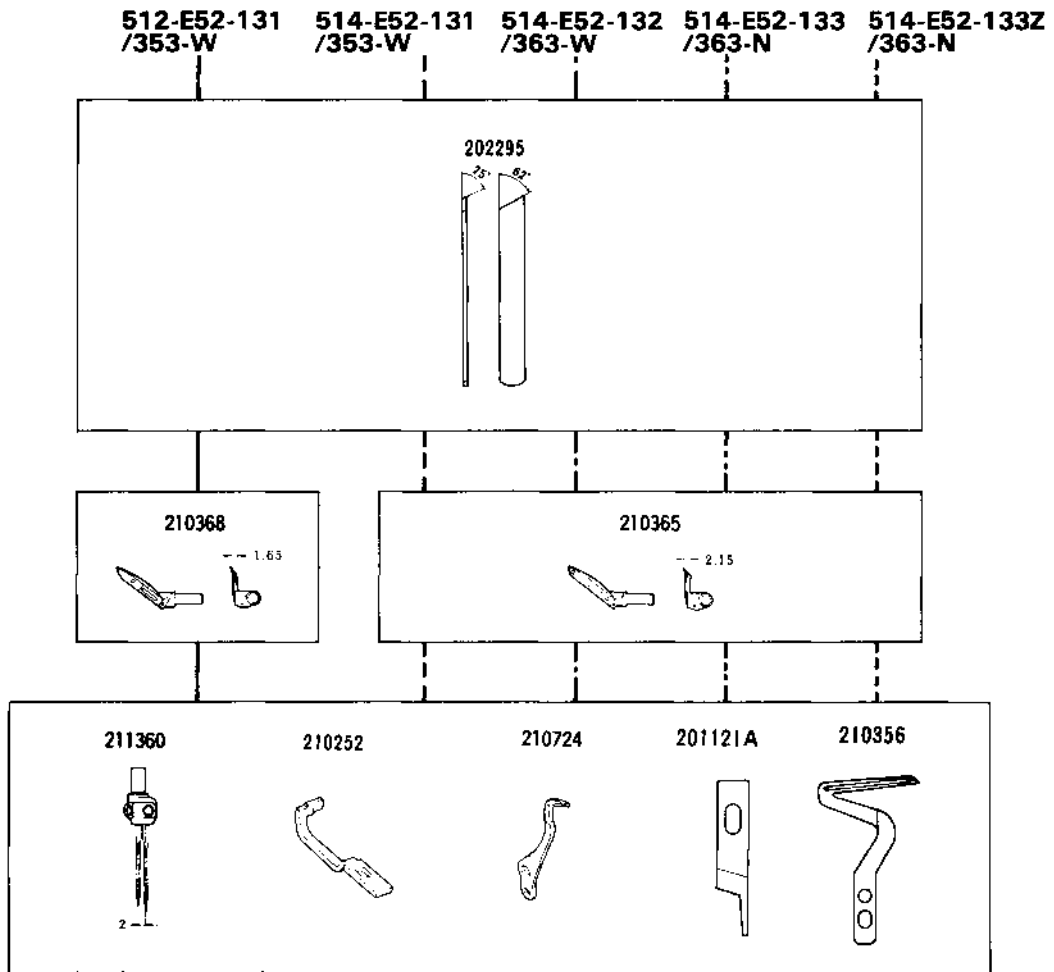


From the library of: Diamond Needle Corp









							MEMO	
504-E52-130/253-W	3.6	/	3-4-5-6	0.7-2	8,000			For sleeve, side and shoulder closing operations on light to medium weight materials such as underwear and ladies' and children's outerwear.
504-E52-136/253-W								





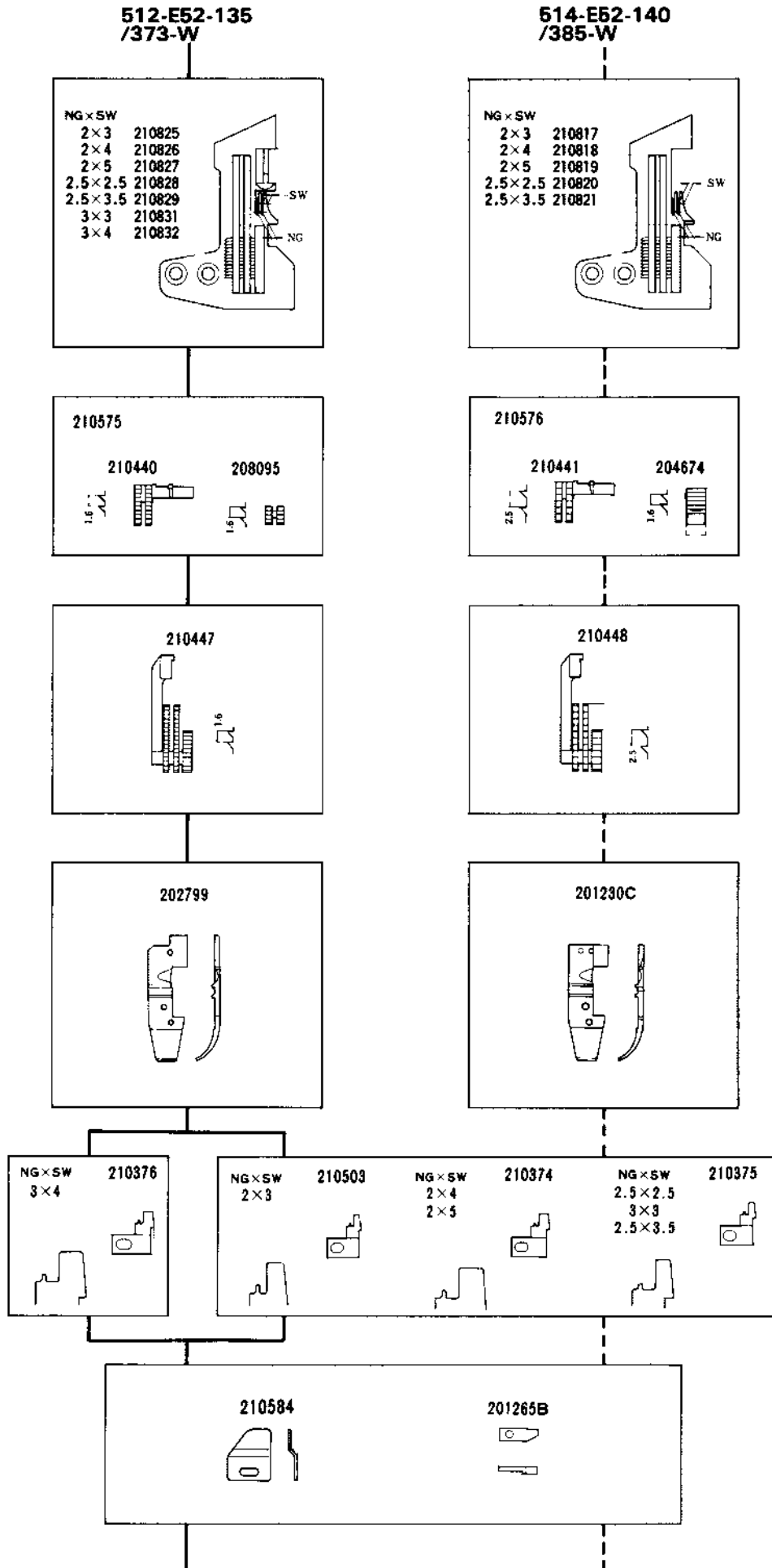


From the library of: Diamond Needle Corp

							MEMO			
512-E52-131/353-W	3.6	2	2·3·4·5	1~3	7,500	C		Closing and attaching sleeves and side closing on dress shirts blouses etc.		
514-E52-131/353-W										
514-E52-132/363-W	2.5								Two needle machines for closing and attaching sleeves and side closing on light to medium weight materials.	
514-E52-133/363-N	3.6									
514-E52-133Z/363-N									Same as E52-133 but the needle DC×1 is used.	

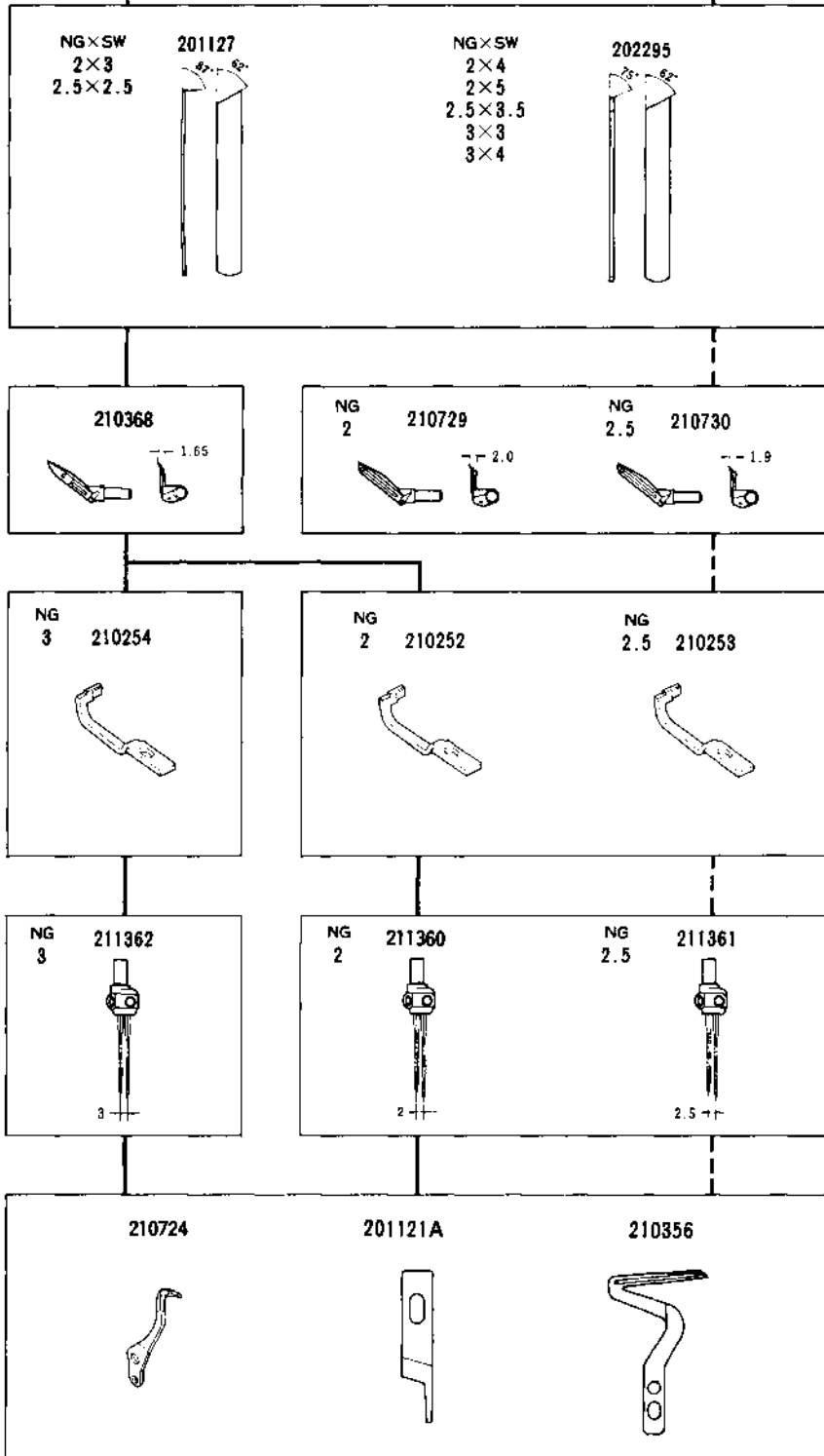
512-E52-135  
514-E52-140

GAUGE PARTS  
CONSTRUCTION CHART










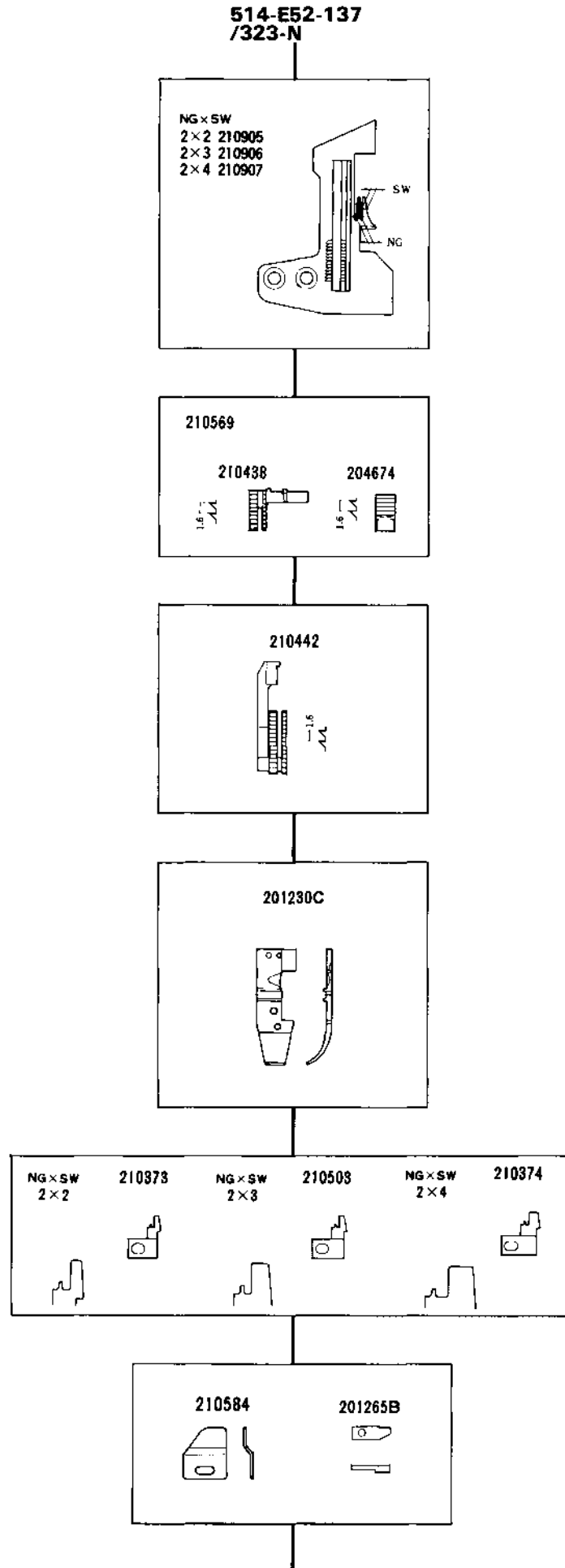
512-E52-135  
/373-W

514-E52-140  
/385-W

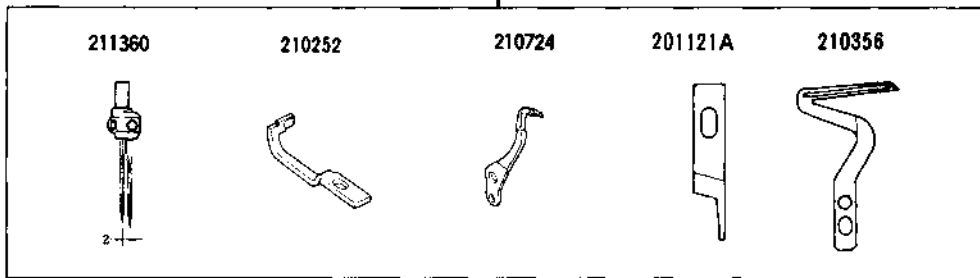
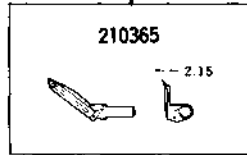
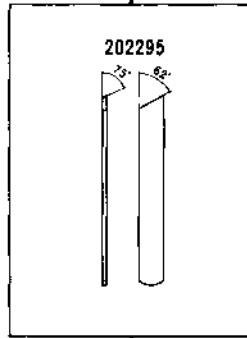


From the library of: Diamond Needle Corp

						MEMO	
512-E52-135/373-W	3.6	2	3-4-5	0.7-2	7,500		Closing and attaching sleeves and side closing on dress shirts blouses etc.
		2.5	2.5-3.5				
		3	3-4				
514-E52-140/385-W	2.5	2	3-4-5	1-3	7,000		Specially designed for seaming bulky knit materials such as sweaters, cardigans etc.
		2.5	2.5-3.5				



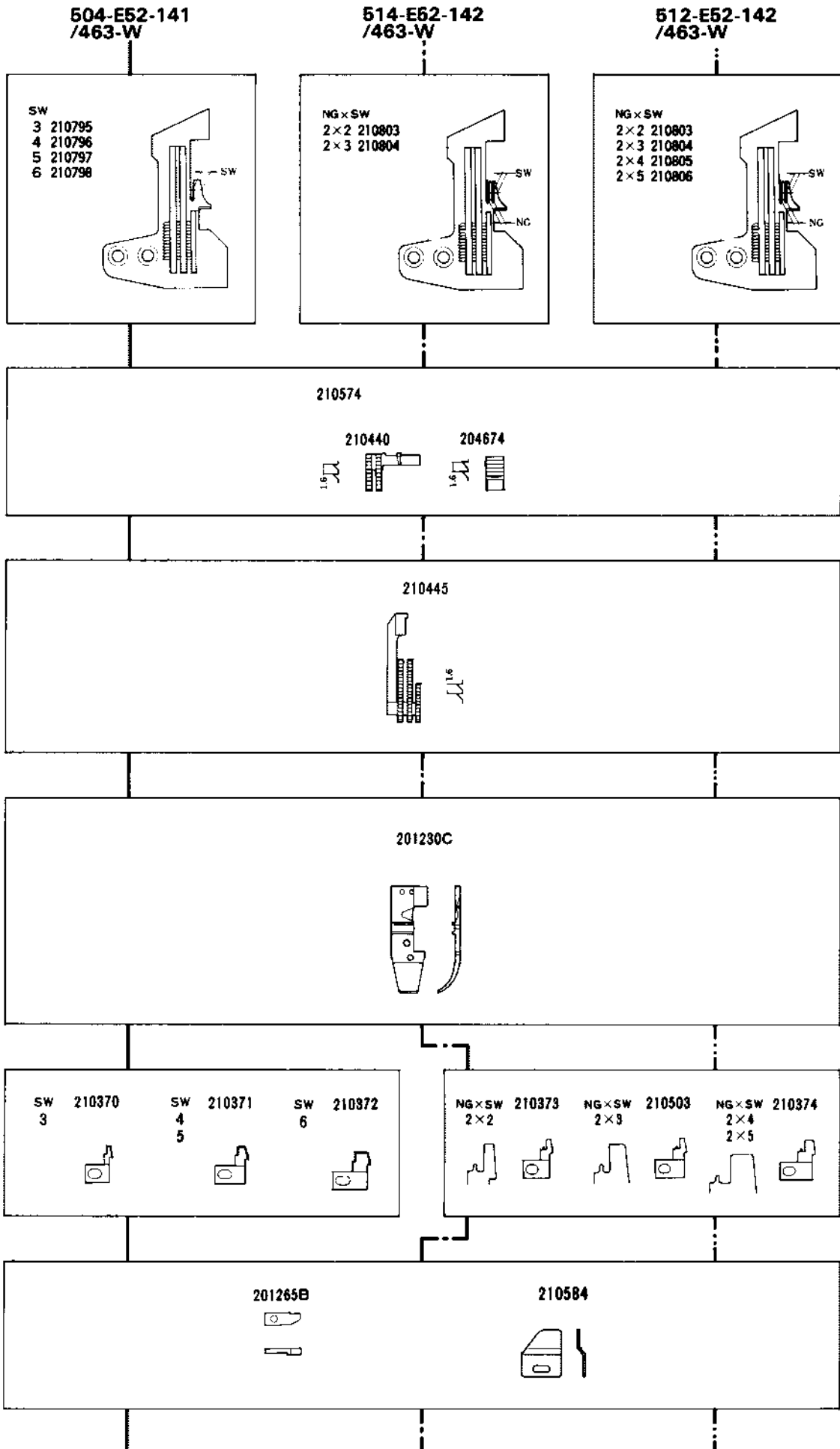
514-E52-137  
/323-N



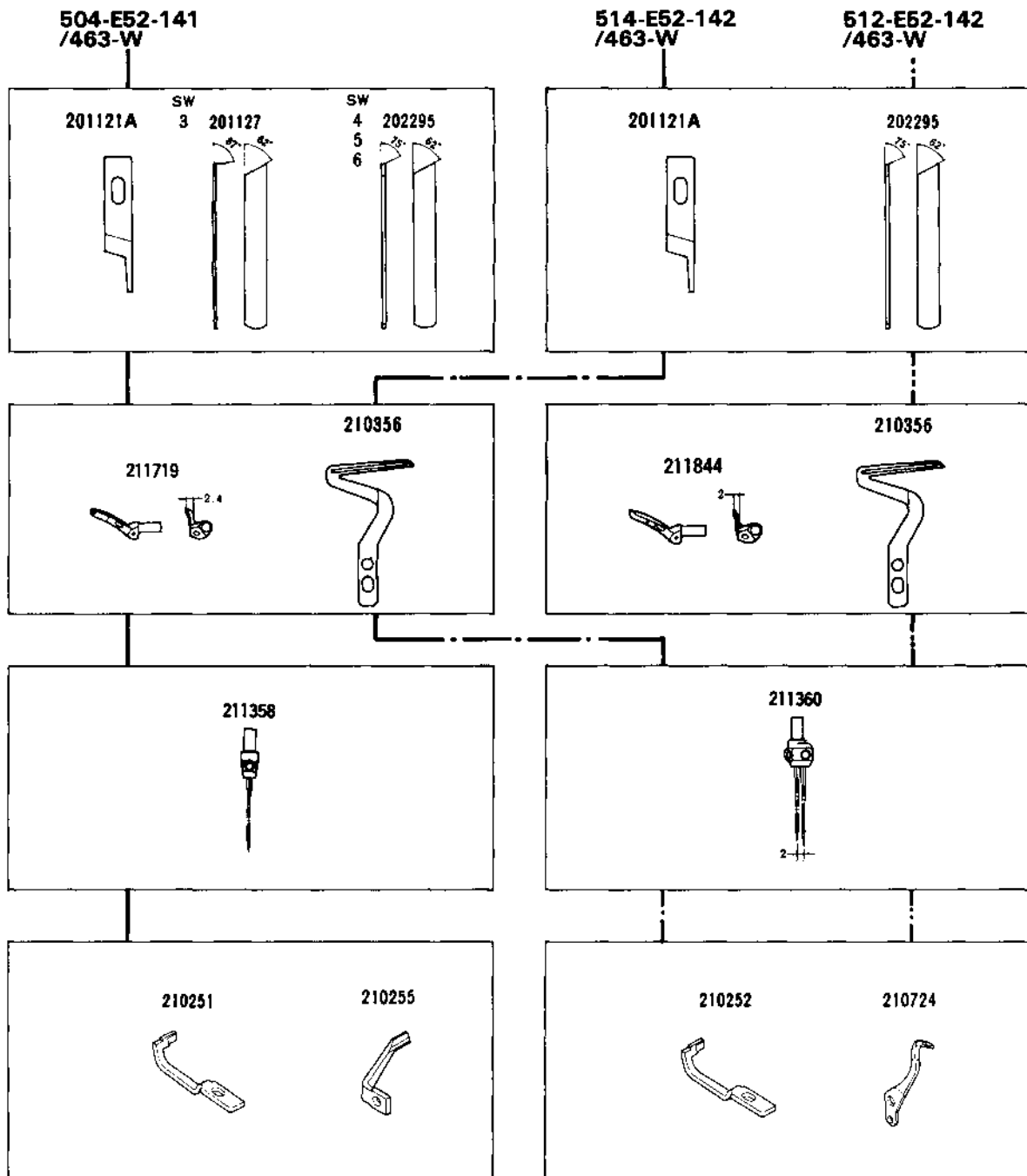
						MEMO	
514-E52-137/323-N	3.6	2	3-4	0.7-2	7,500		Two needle machines for closing and attaching sleeves and side closing on light to medium weight materials

504-E52-141, 514-E52-142  
512-E52-142



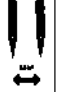




GAUGE PARTS  
CONSTRUCTION CHART



From the library of: Diamond Needle Corp



From the library of: Diamond Needle Corp

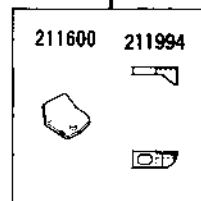
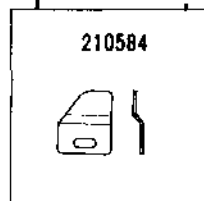
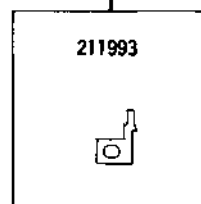
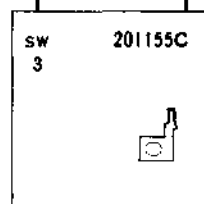
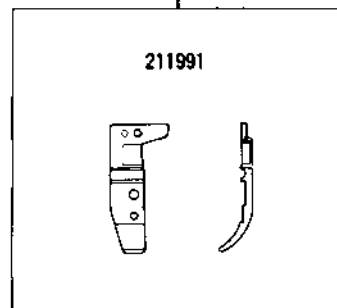
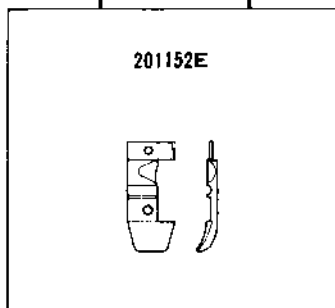
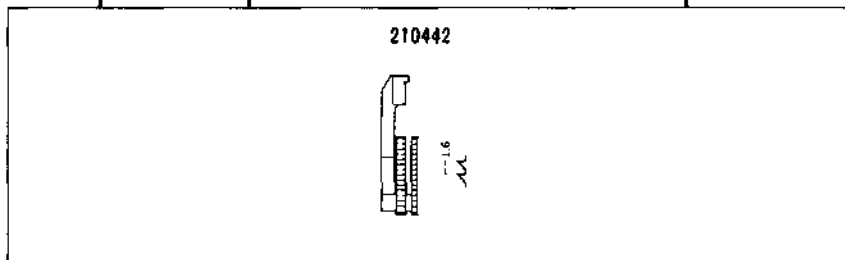
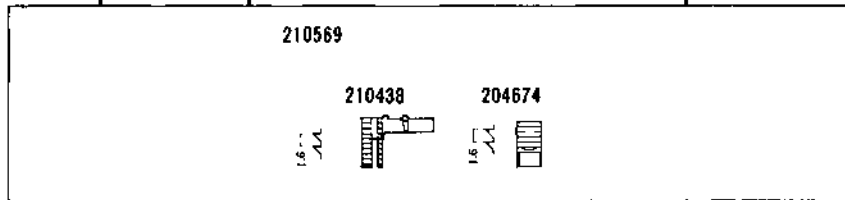
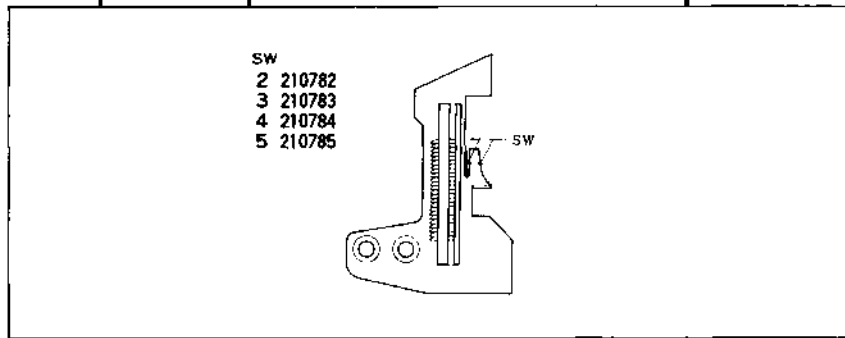
						MEMO	
504-E52-141/463-W	1.8~3.2	/	3·4·5·6	0.7~2	5,500		<b>Seaming. Heavy fabrics. 1-needle.</b> Used with the belt feeding device (BF-100, BF-200). ● Effective to prevent ply shift.
512-E52-142/463-W	1.8~3.2	2	2·3·4·5	0.7~2	5,500		<b>Seaming. Heavy fabrics. Mock-safety.</b> Used with the belt feeding device (BF-100, BF-200). ● Effective to prevent ply shift.
514-E52-142/463-W	1.8~3.2	2	2·3·4·5	0.7~2	5,500		<b>Seaming. Heavy fabrics. 2-needle.</b> Used with the belt feeding device (BF-100, BF-200). ● Effective to prevent ply shift.

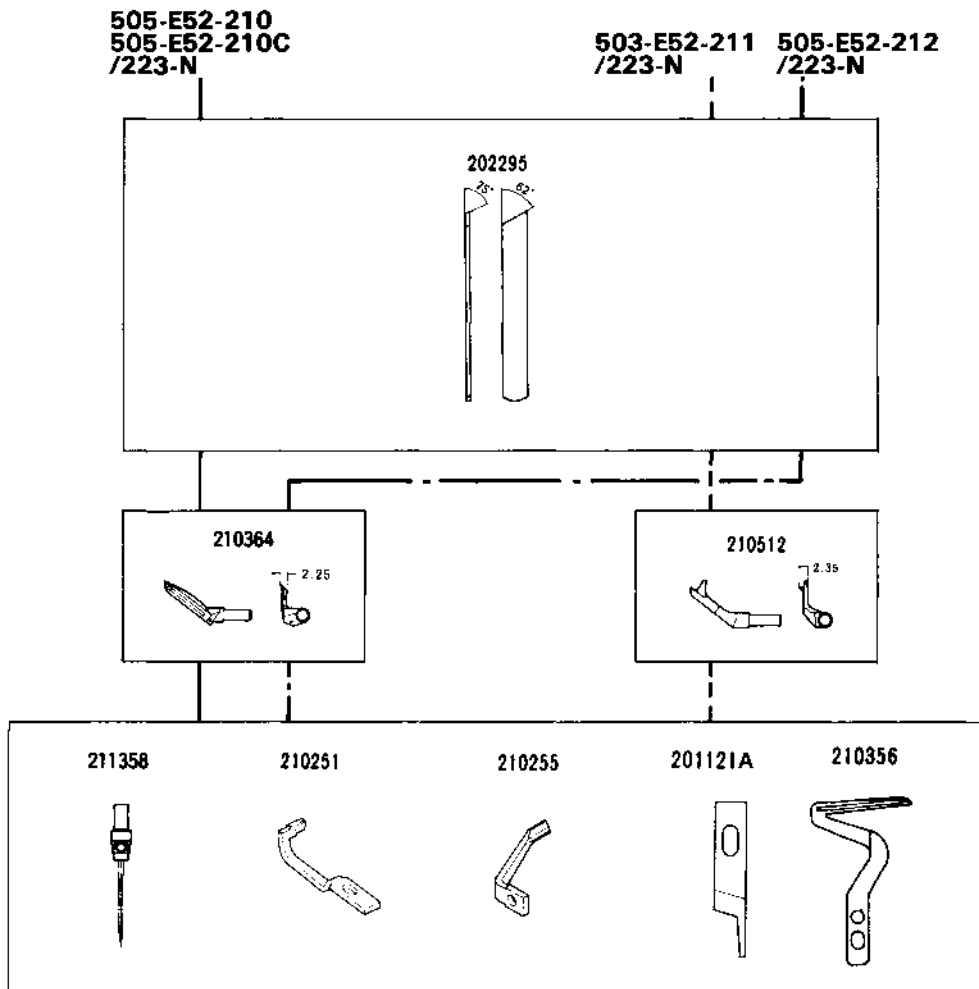









505-E52-210, 503-E52-211  
 505-E52-210C, 505-E52-212

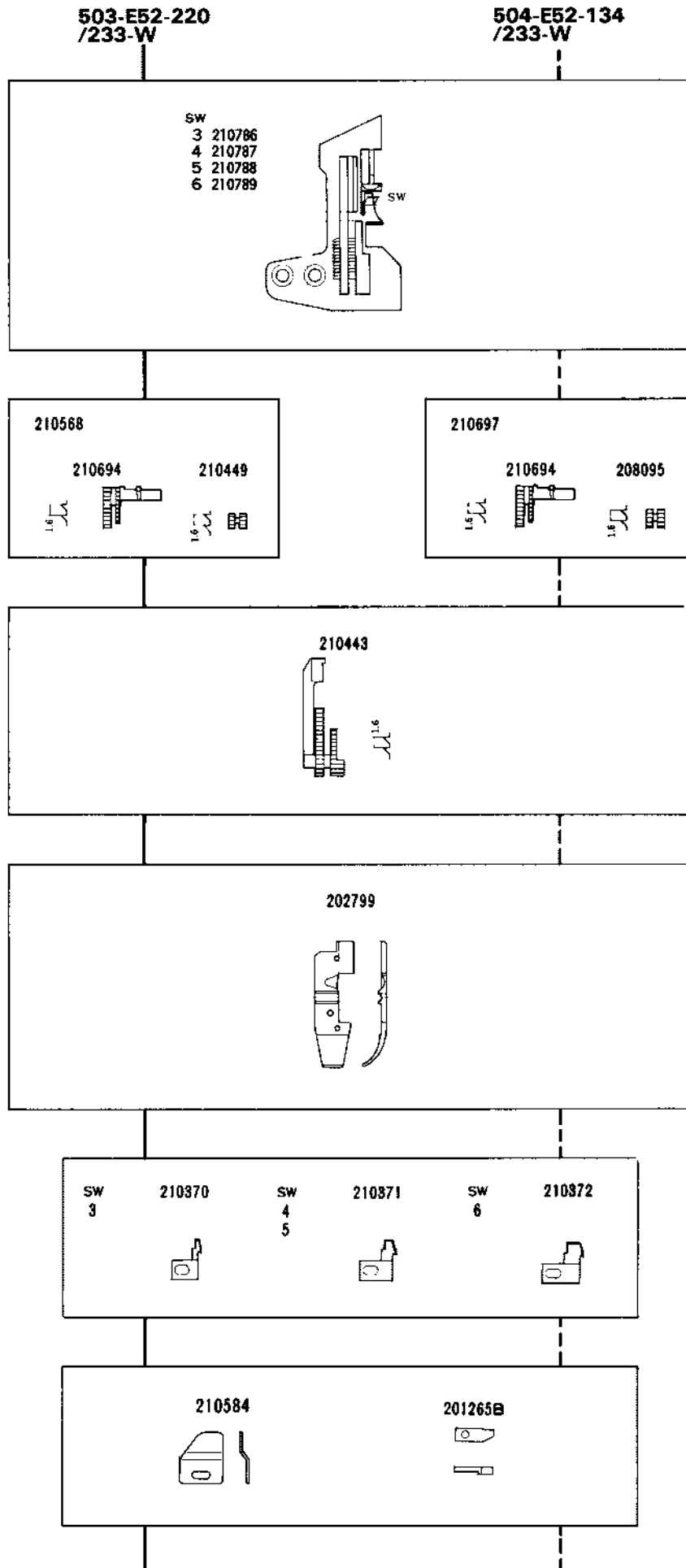
GAUGE PARTS  
 CONSTRUCTION CHART

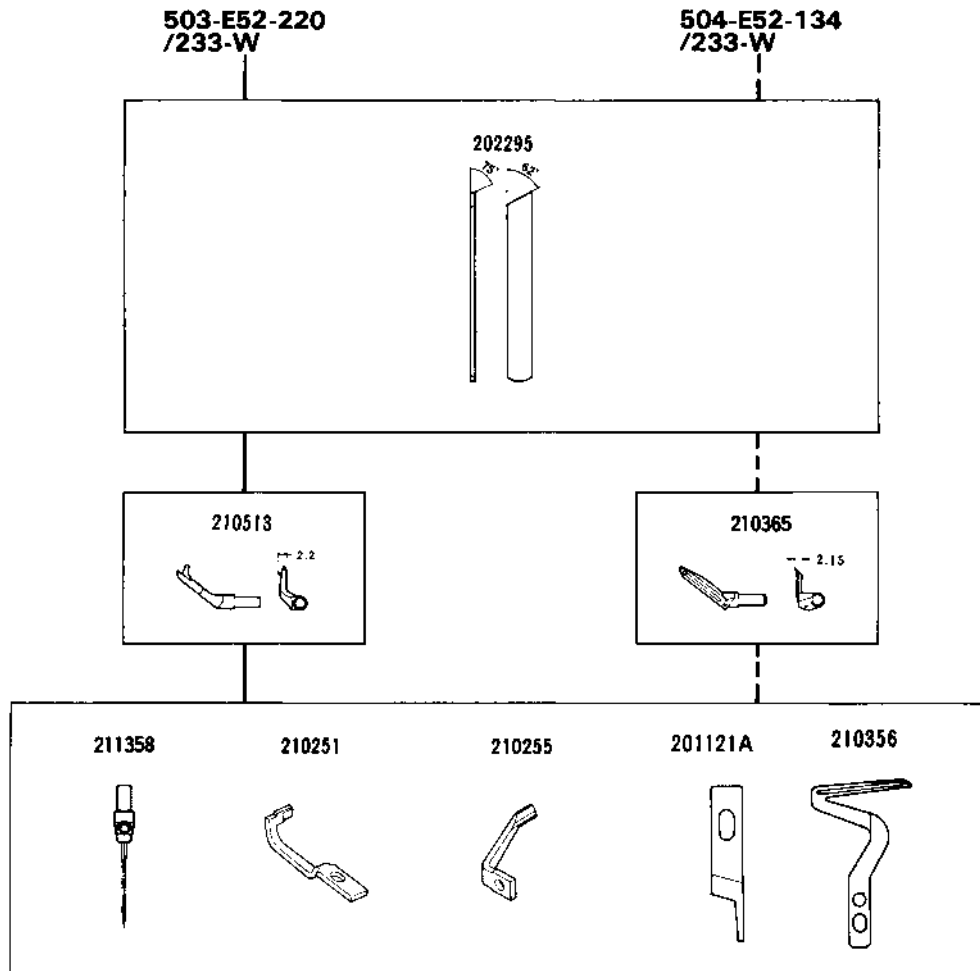
505-E52-210  
 505-E52-210C /223-N      503-E52-211  
 /223-N      505-E52-212  
 /223-N












						MEMO	
505-E52-210/223-N	3.6	/	2·3·4·5	0.7~2	8,000		Three thread blindstitch hemming on U-necked undershirts athletic shirts, men's and women's briefs etc.
505-E52-210C/223-N	2.5			1~3		Blindstitch hemming/seaming on stretchy knits. The diff. feed ratio is 1:3.	
503-E52-211/223-N	3.6			0.7~2		Two thread blindstitch hemming on U-necked undershirts, athletic shirts, mens and womens briefs etc.	
505-E52-212/223-N				Three thread blindstitch hemming on light to medium weight materials such as U-neck undershirts, athletic shirts, briefs etc.			



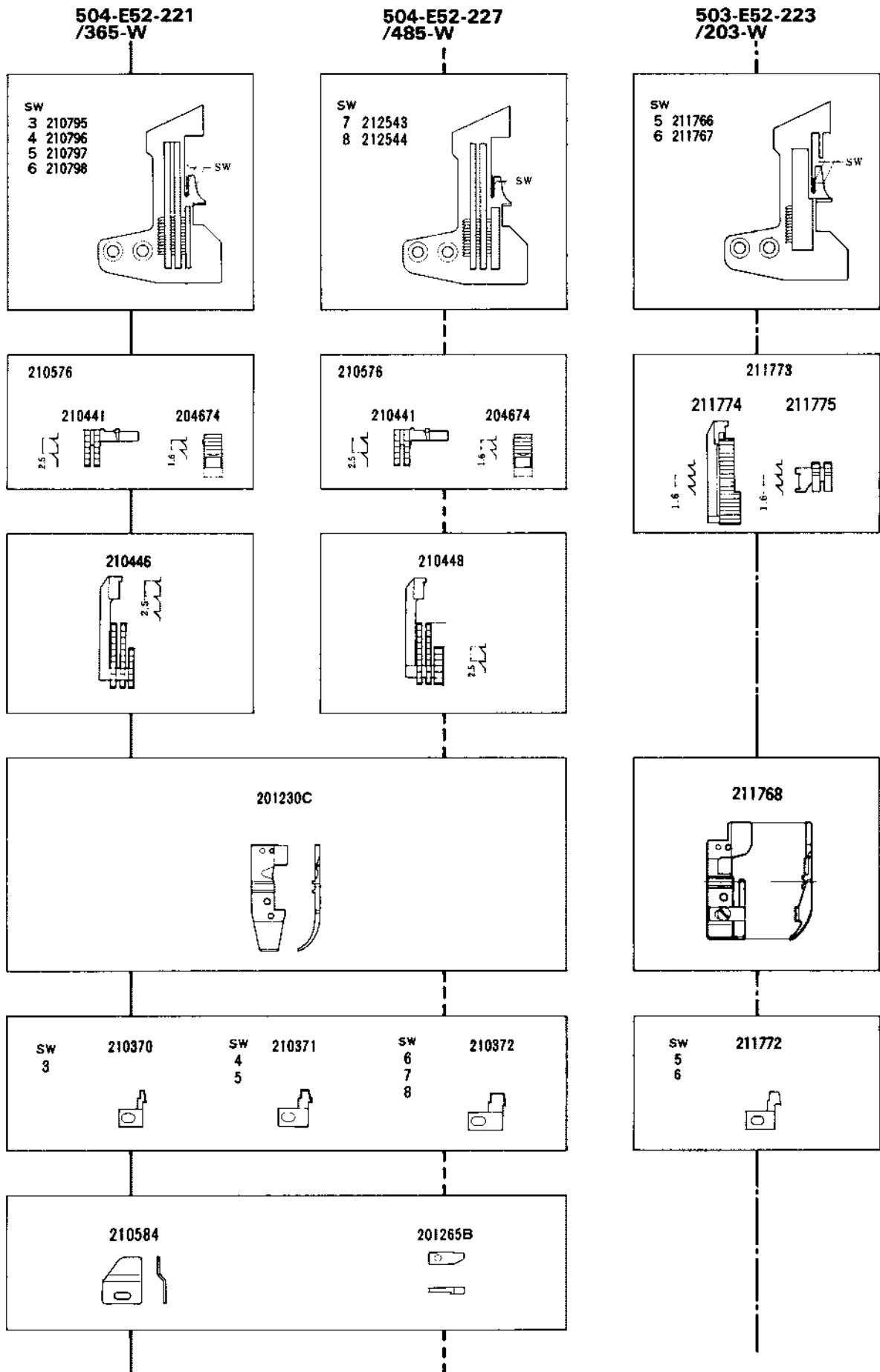


From the library of: Diamond Needle Corp

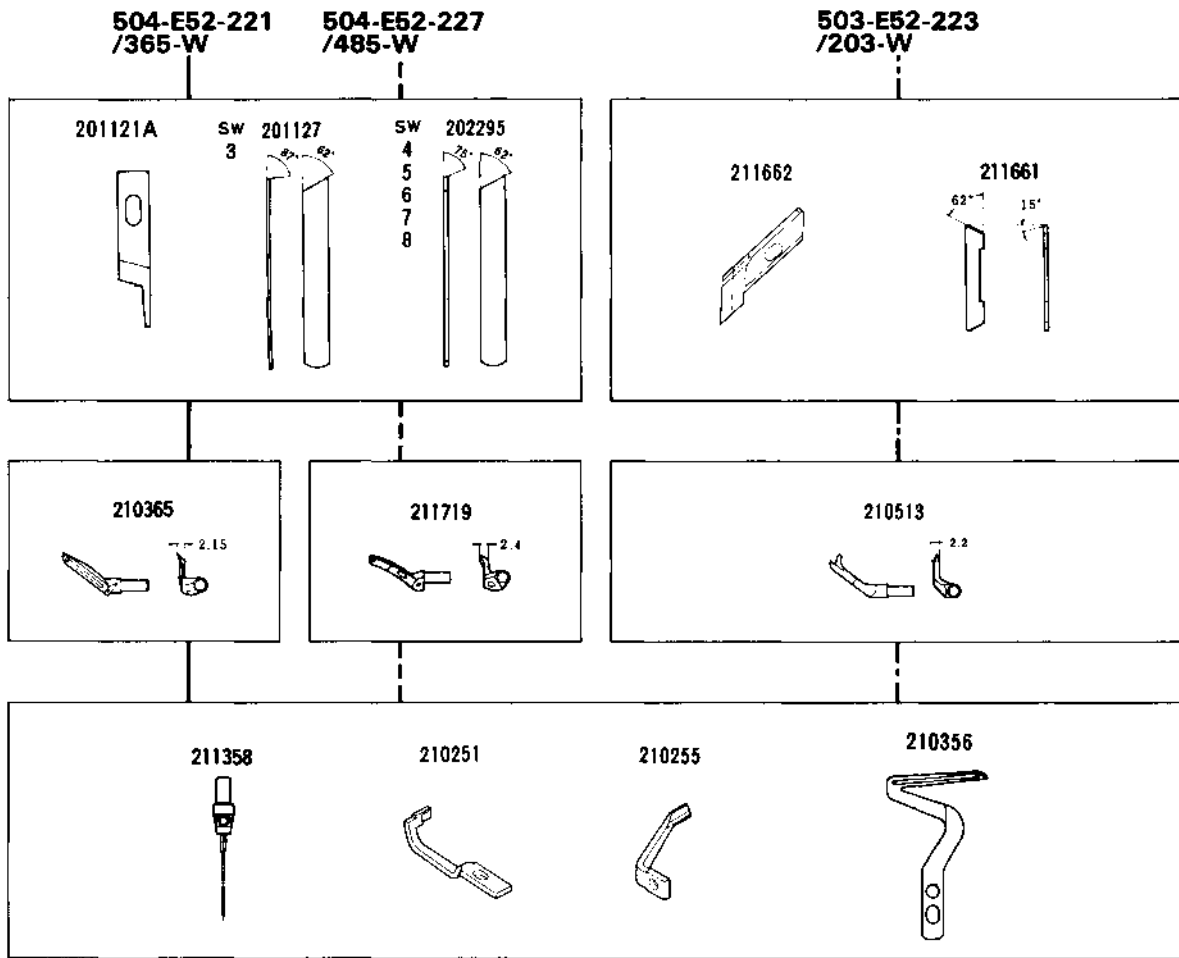
						MEMO	
503-E52-220/233-W	5.0	3·4·5·6		0.7~1.3	7,500		General serging operations on slacks, jackets, working wear etc.
504-E52-134/233-W	3.6			0.7~2	8,000		For sleeve, side and shoulder closing operations on light to medium weight materials such as underwear and ladies' and children's outerwear.








504-E52-221  
 504-E52-227  
 503-E52-223

GAUGE PARTS  
 CONSTRUCTION CHART

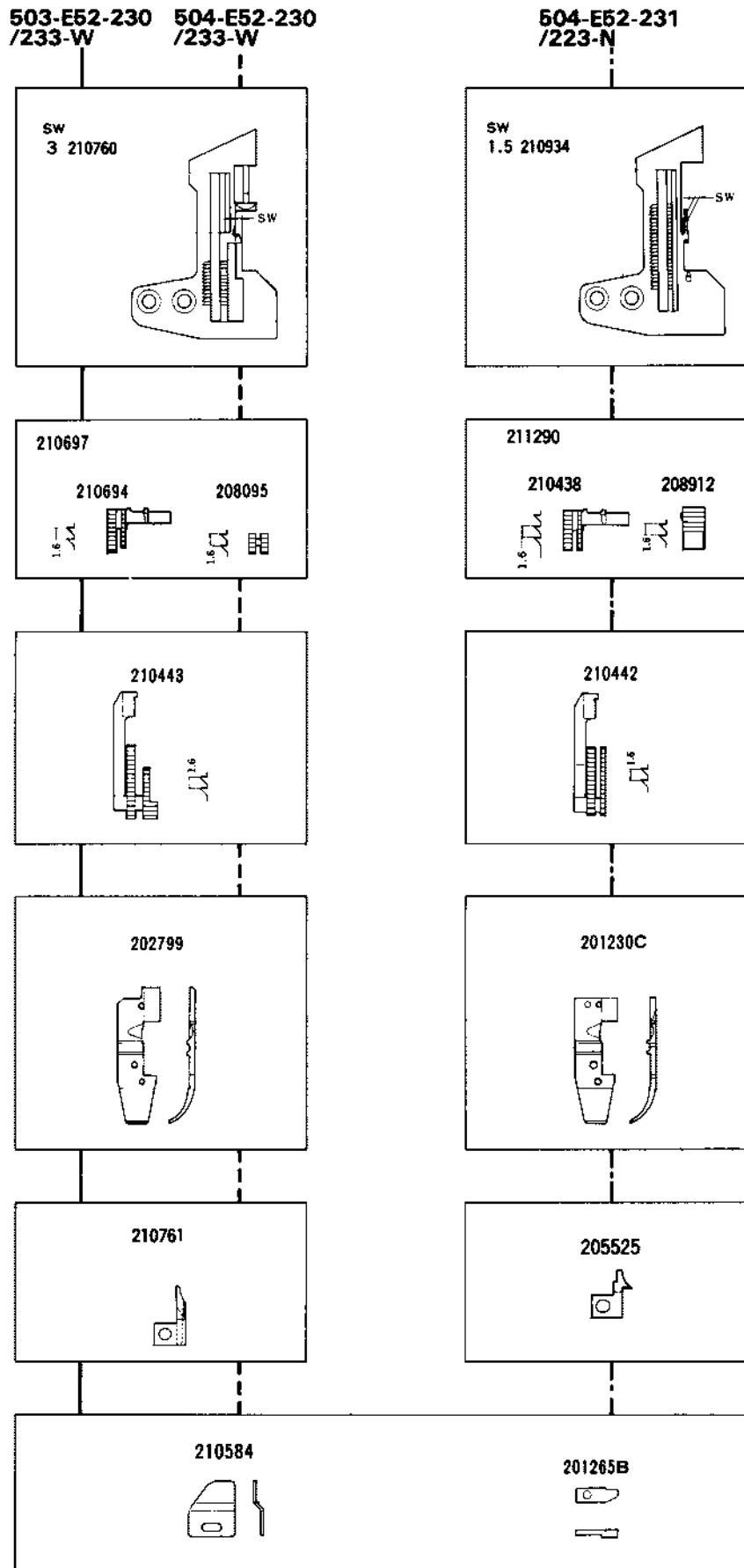


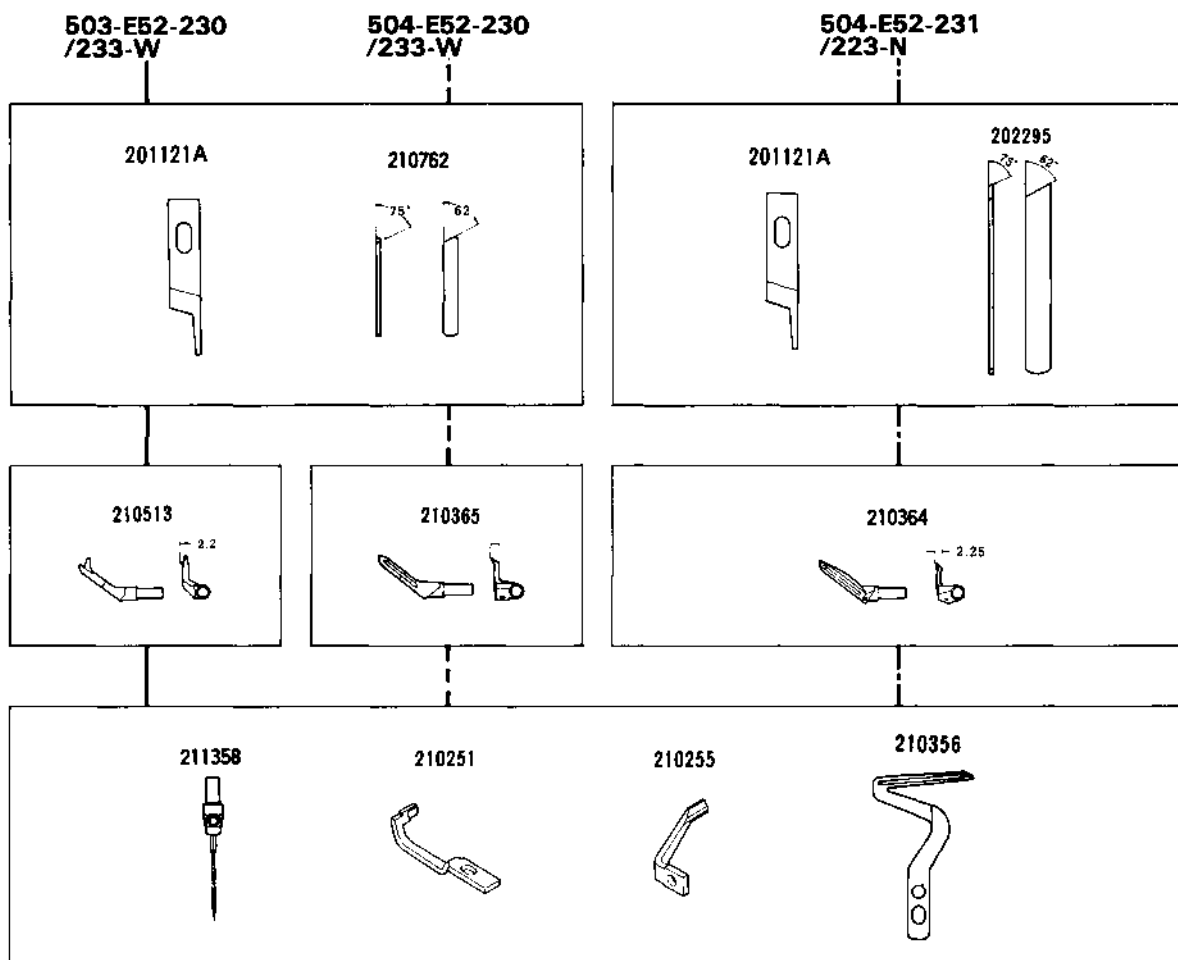
From the library of: Diamond Needle Corp



						MEMO	
504-E52-221/365-W	1.8~3.2	/	3·4·5·6	0.7~2	7,000		Serging. Heavy to extra heavy fabrics. Jeans, etc.
504-E52-227/485-W	1.8~3.6	/	7·8	0.7~2	6,300		Serging/seaming. Heavy to extra heavy fabrics. Upholsteries, curtains, jeans, etc. Extra wide seam width.
503-E52-223/203-W	5.1~6.4	/	5·6	—	7,500		Serging. Light to medium fabrics. Slacks, suits, jackets, etc. ● 1-row, plain feeding.

503-E52-230  
 504-E52-230  
 504-E52-231





						MEMO	
503-E52-230/233-W	1.8~3.6	/	3	0.7~2	7,500		Turn-down hemming. Light fabrics. Handkerchiefs, curtains, pillow cases, etc. ● 2-thread.
504-E52-230/233-W	1.8~3.6	/	3	0.7~2	7,500		Turn-down hemming. Light fabrics. Handkerchiefs, curtains, cuffs of blouses, etc. ● 3-thread.
504-E52-231/223-N	1.0~1.8	/	1.5	0.7~2	8,000		Turn-down hemming. Light fabrics. Handkerchiefs, curtains, cuffs of blouses, etc. ● 3-thread.



504-E52-130P1(P2), 514-E52-131P1(P2)  
 504-E52-350P1(P2), 514-E52-351P1(P2)

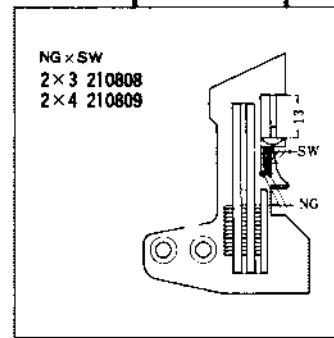
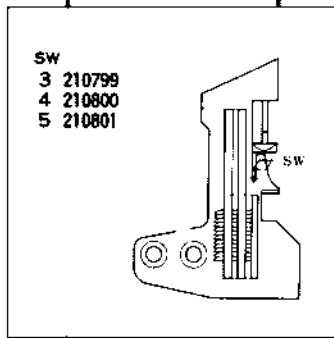
GUAGE PARTS  
 CONSTRUCTION CHART

504-E52-350P1 504-E52-130P1  
 504-E52-350P2 504-E52-130P2  
 /253-W /253-W

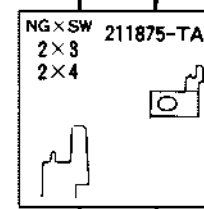
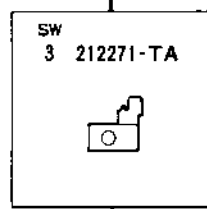
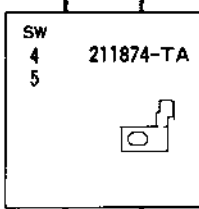
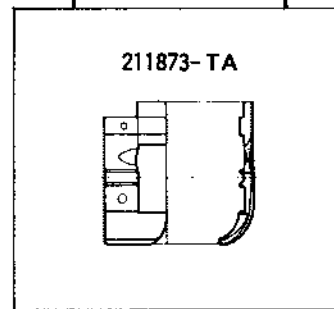
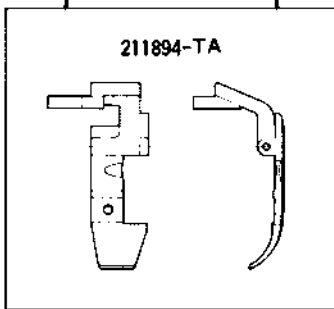
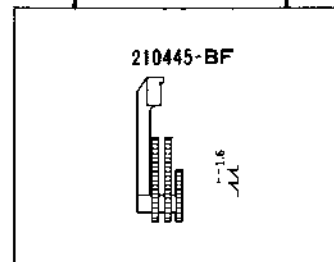
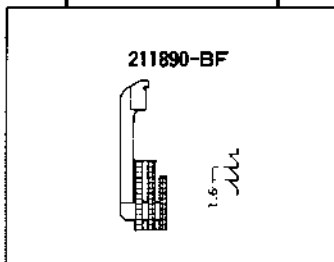
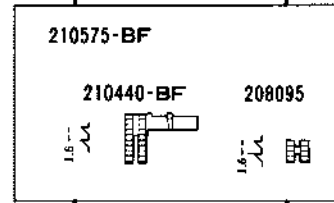
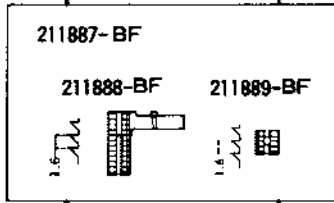
514-E52-351P1 514-E52-131P1  
 514-E52-351P2 514-E52-131P2  
 /353-W /353-W

The gauge for -350 is 5.

The gauge for -351 is 2×4.



The part numbers of feed dogs of -130P1(P2) and -131P1(P2) are the numbers without -BF.

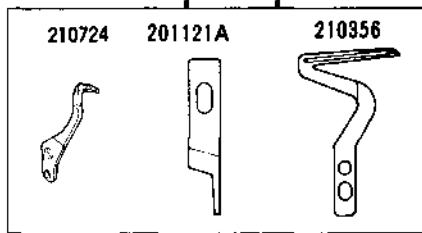
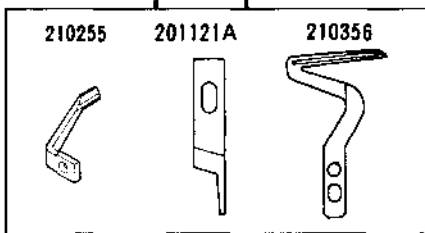
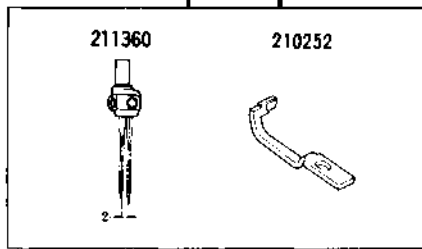
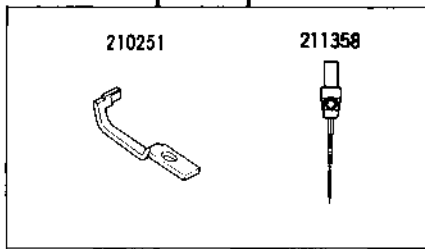
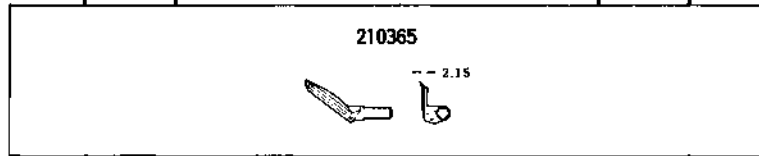
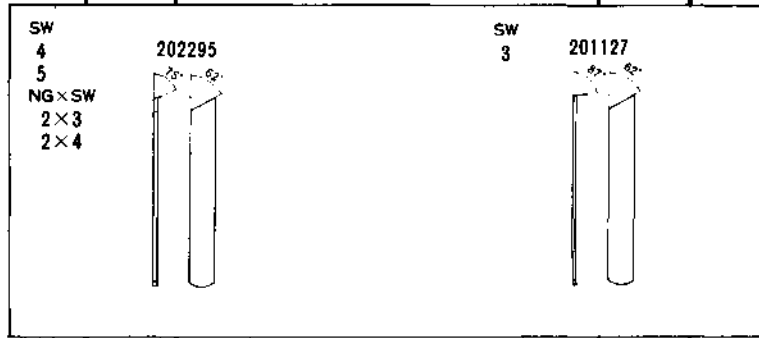


504-E52-350<sup>P1</sup>  
504-E52-350<sup>P2</sup>  
/253-W

504-E52-130<sup>P1</sup>  
504-E52-130<sup>P2</sup>  
/253-W

514-E52-351<sup>P1</sup>  
514-E52-351<sup>P2</sup>  
/353-W

514-E52-131<sup>P1</sup>  
514-E52-131<sup>P2</sup>  
/353-W



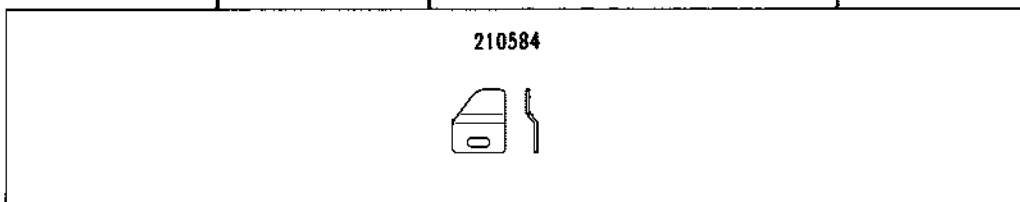
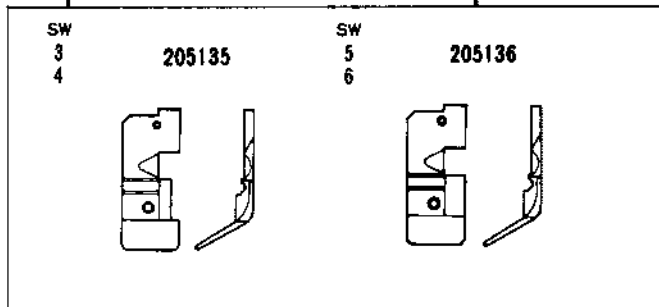
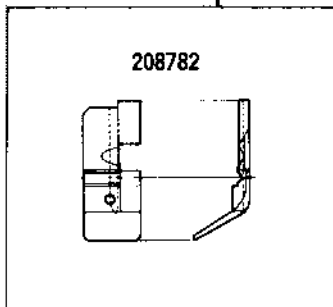
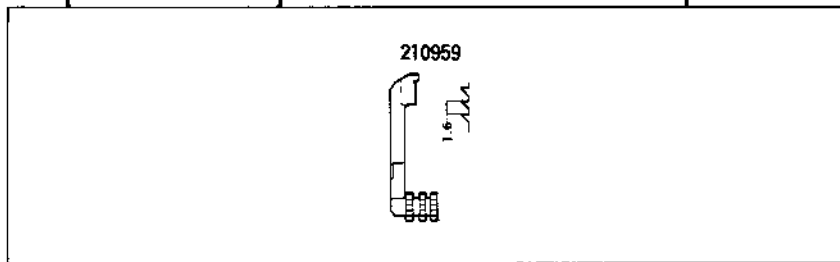
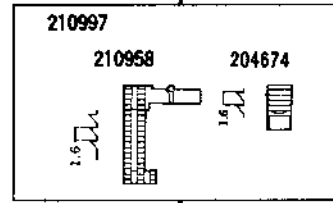
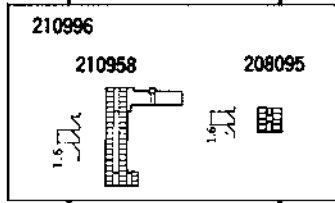
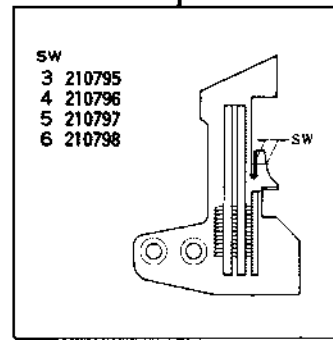
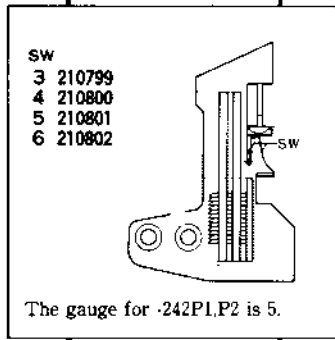
							MEMO	
504-E52-350 <sup>P1</sup> /253-W	2.5	!		5				Piping on light to medium weight fabrics. Since the pivot point of the presser foot is at the back, curved seaming is easy, too. P1: The tape binder is an option. P2: The tape binder for a tape of 20mm wide is equipped with the machine.
504-E52-350 <sup>P2</sup> /253-W								
504-E52-130 <sup>P1</sup> /253-W	3.2	!		3·4·5				Piping on light to medium weight fabrics such as pajama, training wear, etc. P1: The tape binder is an option. P2: The tape binder for a tape of 20mm wide is equipped with the machine.
504-E52-130 <sup>P2</sup> /253-W								
514-E52-351 <sup>P1</sup> /353-W	2.5	!		4				Piping on light to medium weight fabrics. Since the pivot point of the presser foot is at the back, curved seaming is easy, too. P1: The tape binder is an option. P2: The tape binder for a tape of 20mm wide is equipped with the machine.
514-E52-351 <sup>P2</sup> /353-W								
514-E52-131 <sup>P1</sup> /353-W	3.2	!		3·4				Piping on light to medium weight fabrics such as pajama, training wear, etc. P1: The tape binder is an option. P2: The tape binder for a tape of 20mm wide is equipped with the machine.
514-E52-131 <sup>P2</sup> /353-W								

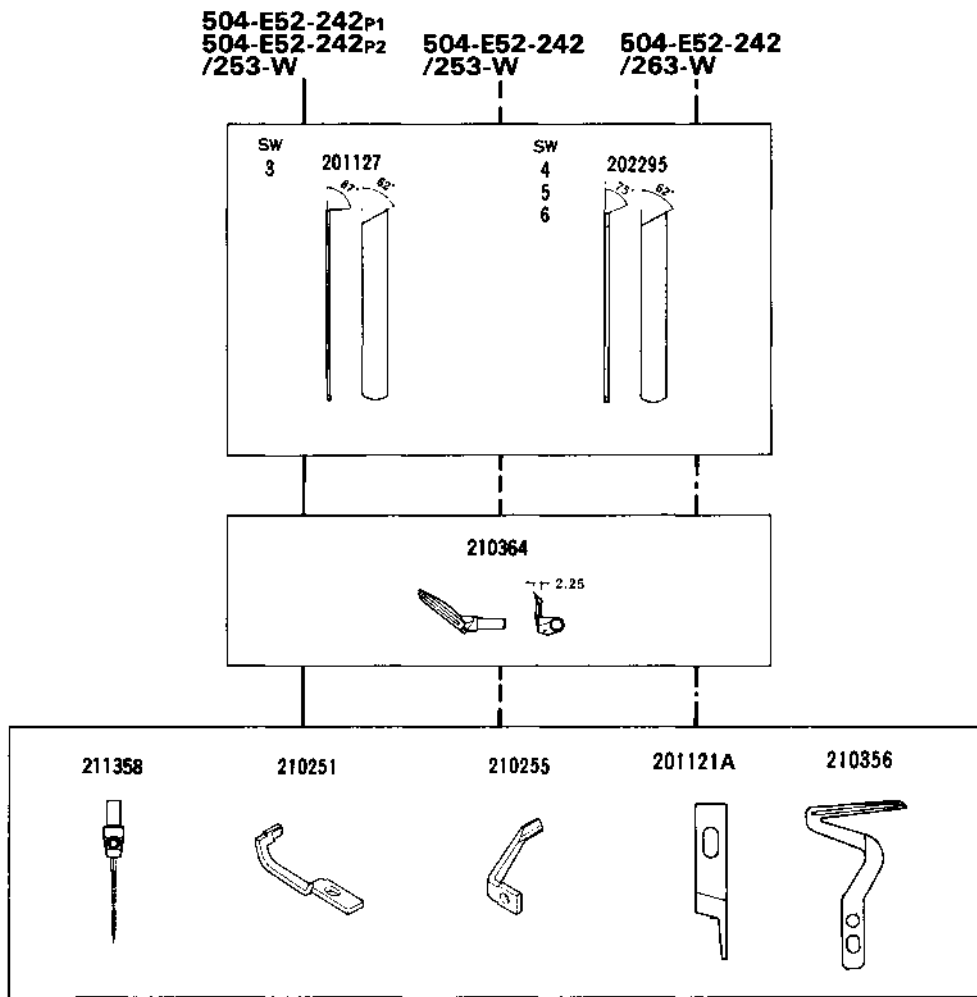
504-E52-242  
504-E52-242P1(P2)








504-E52-242P1  
504-E52-242P2  
/253-W

504-E52-242  
/253-W

504-E52-242  
/263-W





						MEMO	
504-E52-242P1/253-W	3.2	/	3-4-5-6	0.8~3	5,000		Shirring/piping on light to medium weight fabrics such as pajamas, training wear. P1: The tape binder is an option. P2: The tape binder for a tape of 20mm wide is equipped with the machine.
504-E52-242P2/253-W							
504-E52-242/253-W					7,000		Single needle overedgers for intermittent shirring on light to medium weight materials such as negligee, curtains etc.
504-E52-242/263-W							

512-E52-243, 514-E52-243P1(P2)  
514-E52-243

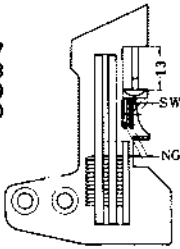
GAUGE PARTS  
CONSTRUCTION CHART

514-E52-243P1 514-E52-243  
514-E52-243P2 /353-W

512-E52-243 514-E52-243  
/363-W /363-W

512-E52-243 /353-W

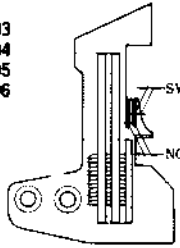
NG x SW  
2x2 210807  
2x3 210808  
2x4 210809  
2x5 210810



2x2 and 2x5 are not available for 243P1, P2.

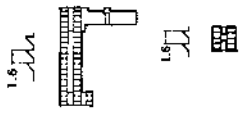
512-E52-243 /363-W 514-E52-243 /363-W

NG x SW  
2x2 210803  
2x3 210804  
2x4 210805  
2x5 210806



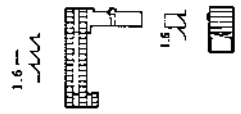
210996

210958 208095




210997

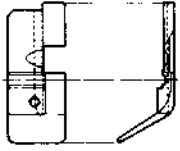
210958 204674




210959




NG x SW  
2x3 208782  
2x4



NG x SW 2x2 205135 NG x SW 2x3 2x4 2x5 205136



210584



From the library of: Diamond Needle Corp

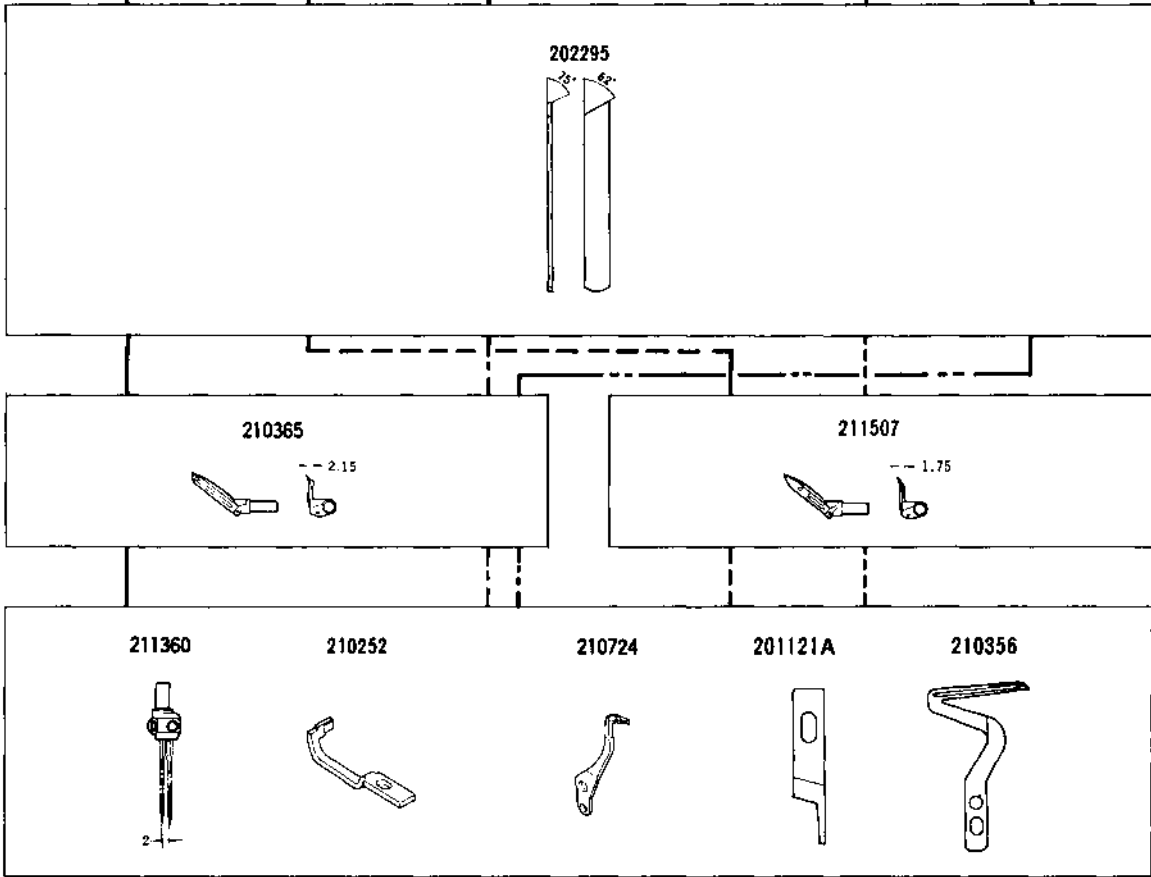
514-E52-243P1  
514-E52-243P2  
/363-W

512-E52-243  
/363-W

514-E52-243  
/363-W

512-E52-243  
/363-W

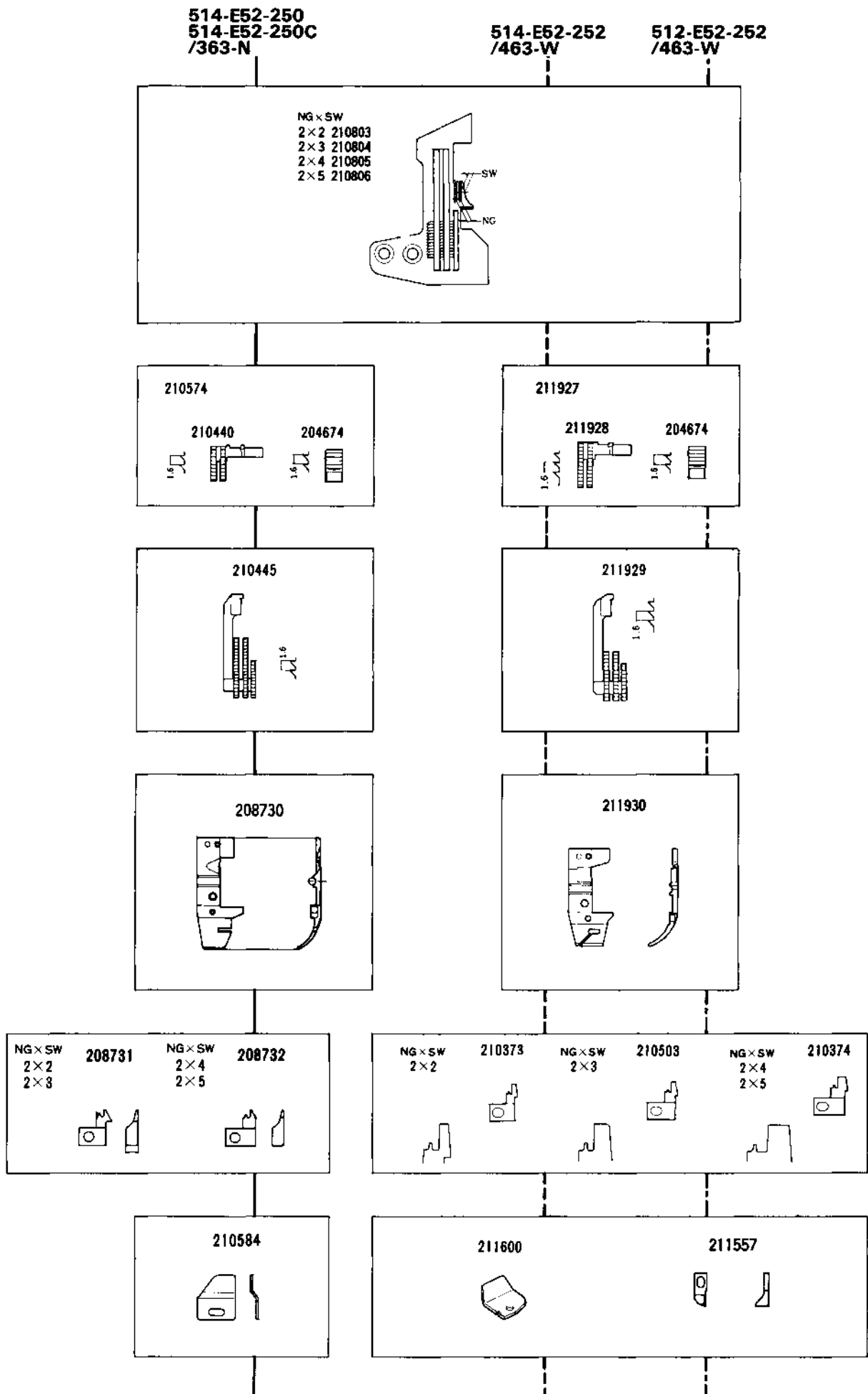
514-E52-243  
/363-W



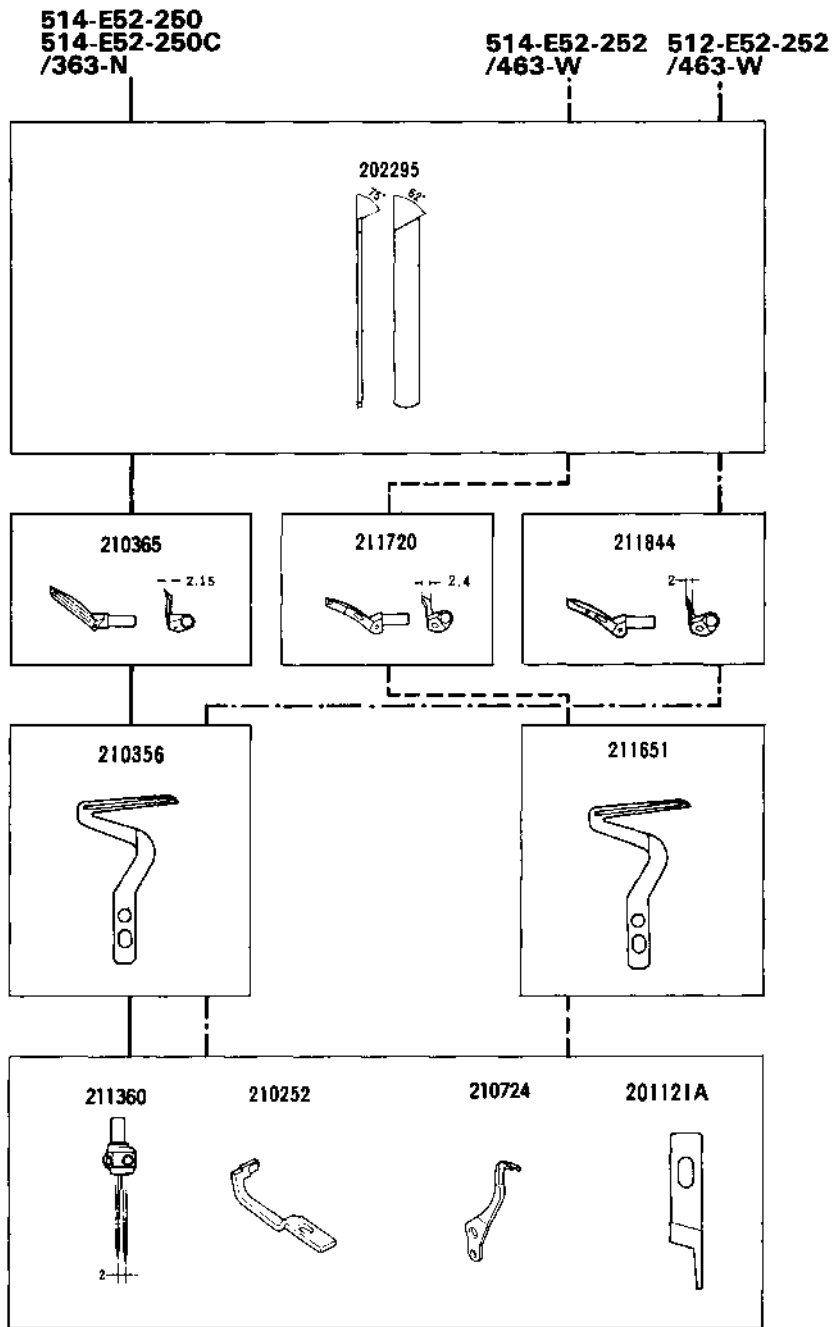
						MEMO	
514-E52-243P1/363-W	3.2	2	2·3·4·5	0.8-3	5,000		Shirring/piping on light to medium weight fabrics such as pajamas, training wear. P1: The tape binder is an option. P2: The tape binder for a tape of 20mm wide is equipped with the machine.
514-E52-243P2/363-W							
512-E52-243/363-W					7,000		Mock safety stitch overedgers for intermittent shirring on light to medium weight materials such as negligee, curtains etc.
512-E52-243/363-W							
514-E52-243/363-W							
514-E52-243/363-W							








514-E52-250, 512-E52-252  
 514-E52-250C, 514-E52-252

GAUGE PARTS  
 CONSTRUCTION CHART



From the library of: Diamond Needle Corp



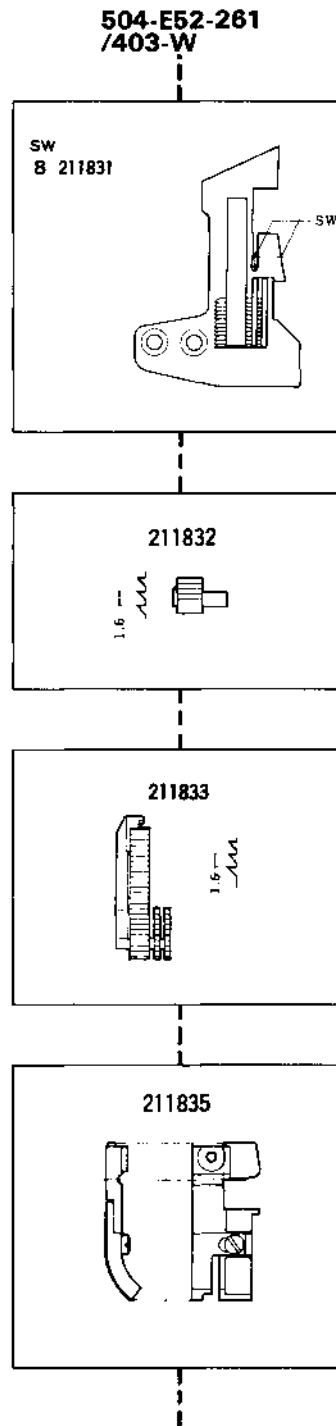
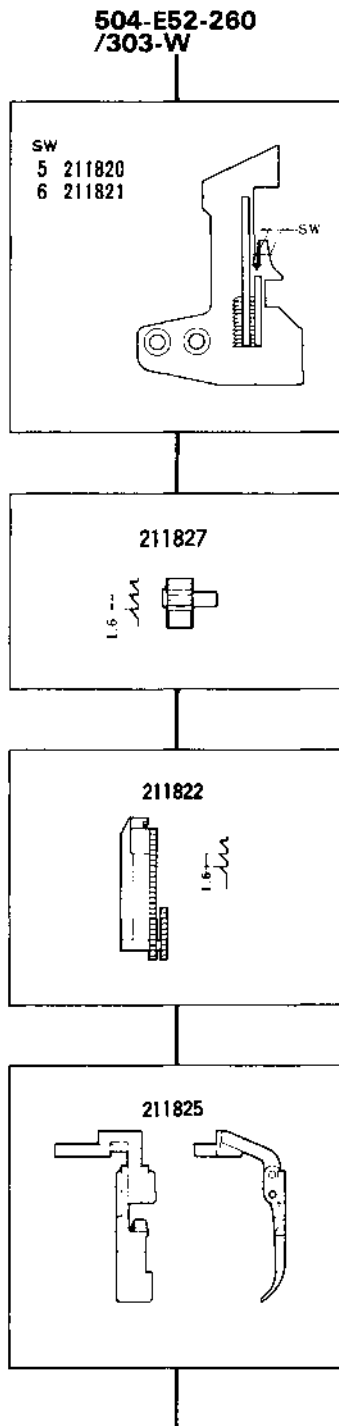
						MEMO	
514-E52-250/363-N	3.6			0.7~2			Specially designed presser foot for shoulder taping operations on light to medium weight materials such as sweatshirts, T-shirts etc.
514-E52-250C/363-N	3.2	2	2·3·4·5		7,500		Same as E52-250 but for more stretchy fabrics.
514-E52-252/463-W				1~3	6,000	Since the locus of the upper looper is high (extra-high lift) and the presser foot lift is big (7mm), it is ideal for taping/seaming on extra-heavy fabrics such as sweaters, etc.	

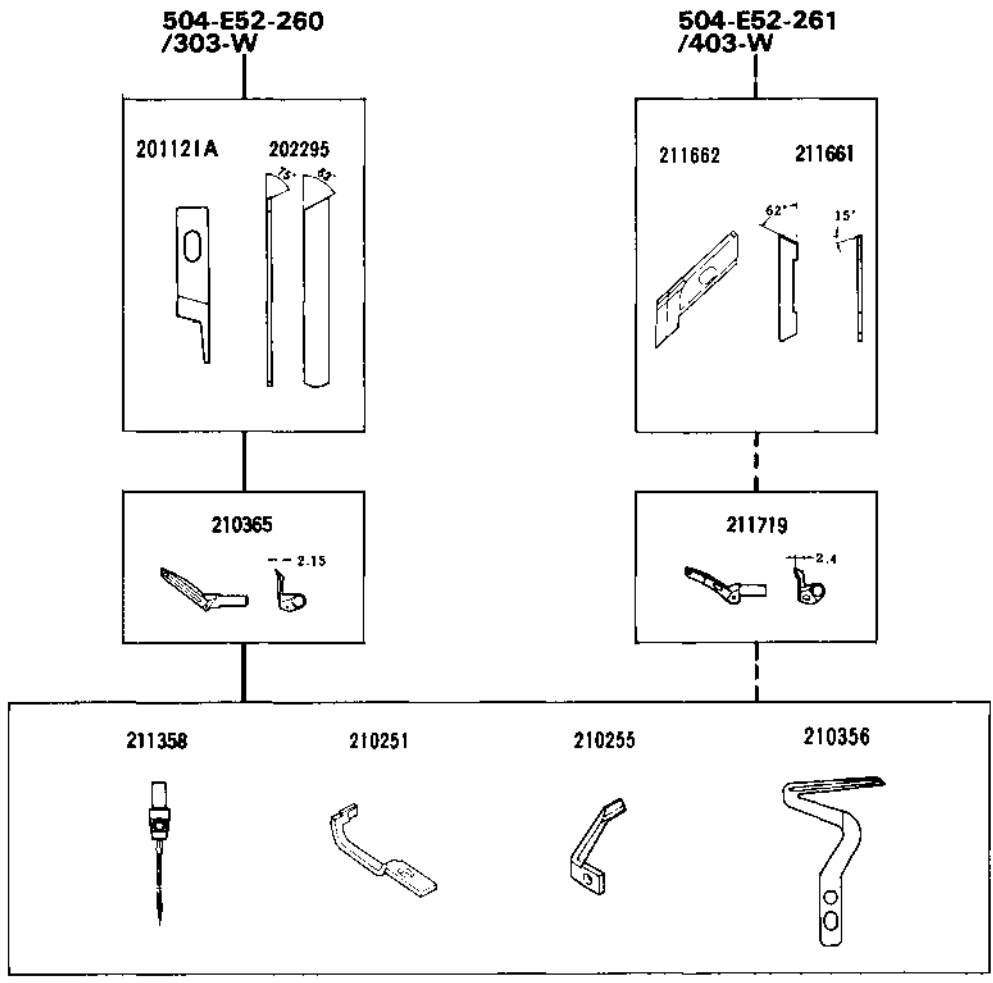
From the library of: Diamond Needle Corp







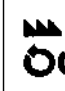


504-E52-260  
504-E52-261

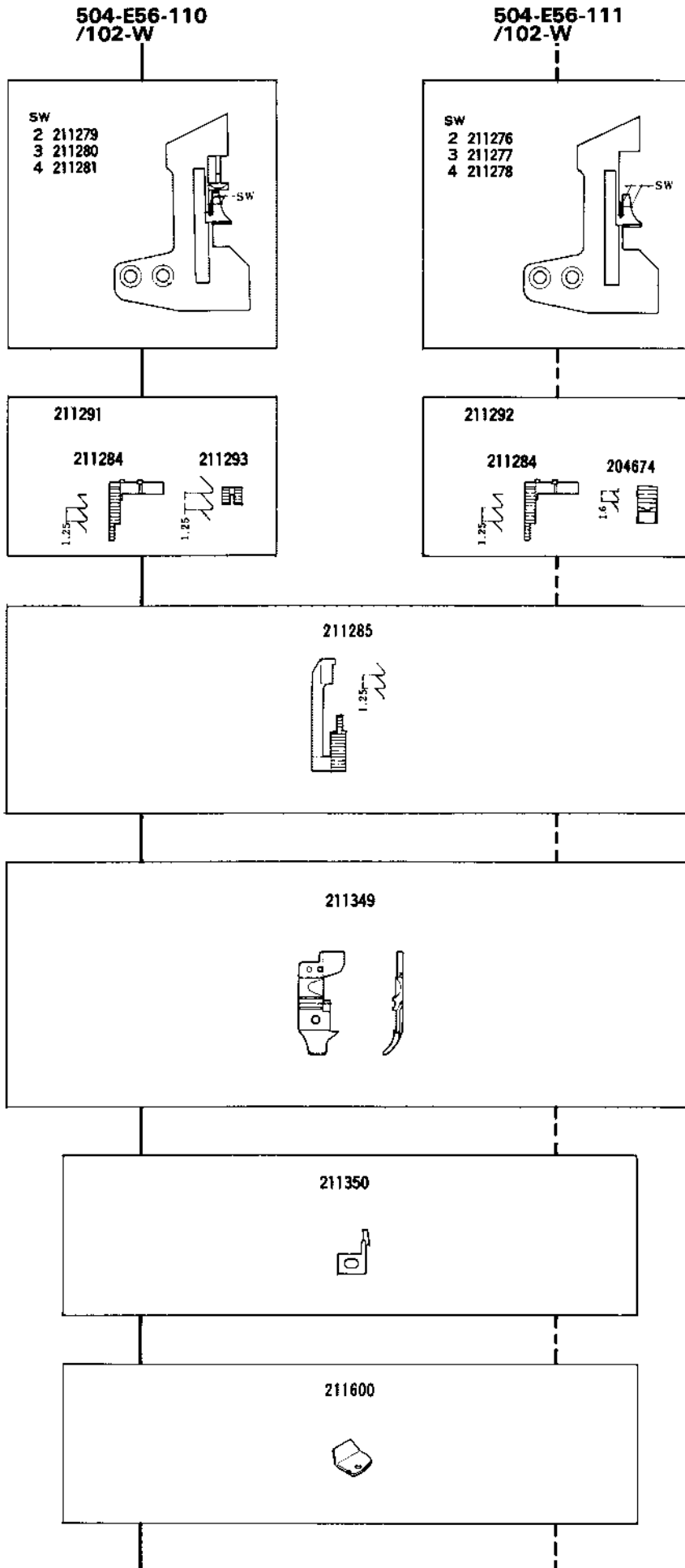
GAUGE PARTS  
CONSTRUCTION CHART



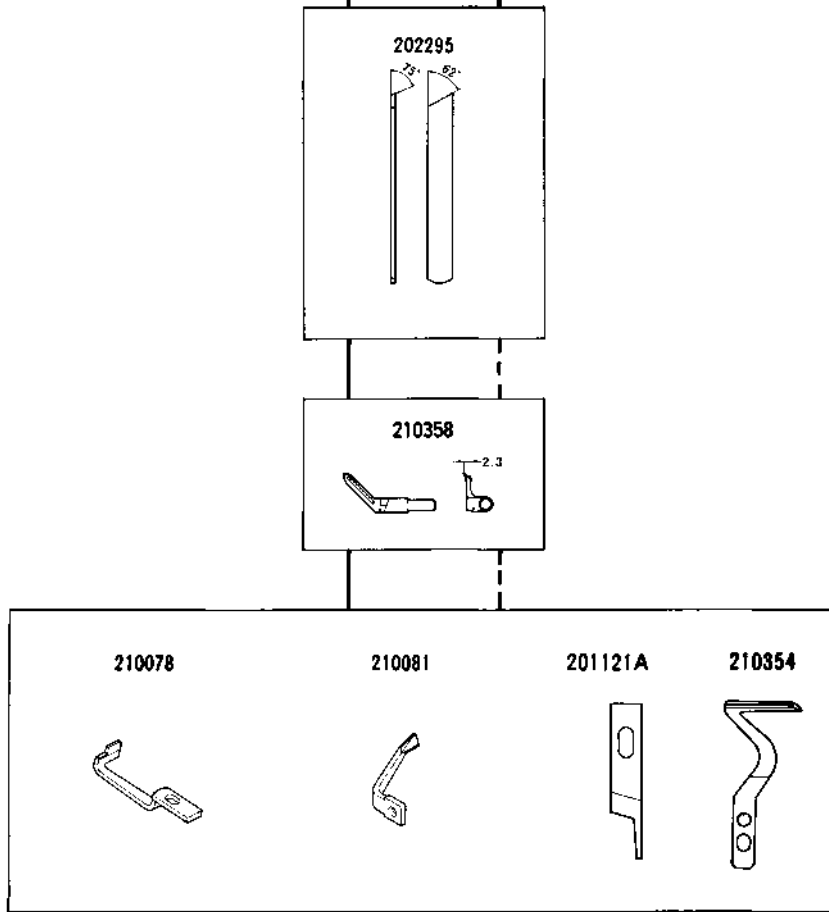


From the library of: Diamond Needle Corp

						MEMO	
504-E52-260/303-W	4.2	/	5-6	/	7,500		Attaching zipper which has a slider.
504-E52-261/403-W			8		6,500		Attaching zipper which does not have a slider.



504-E56-110 /102-W    504-E56-111 /102-W

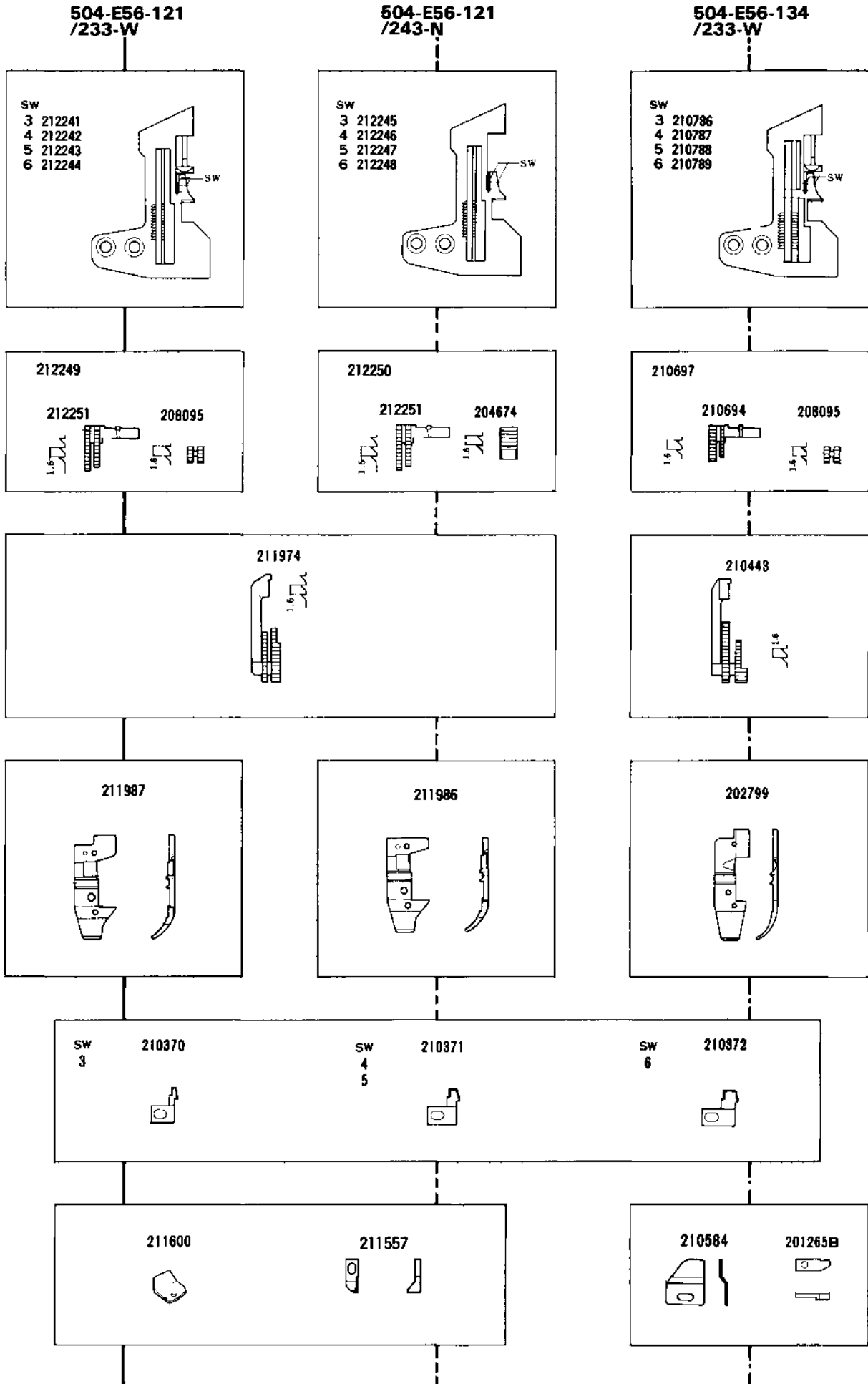


From the library of: Diamond Needle Corp

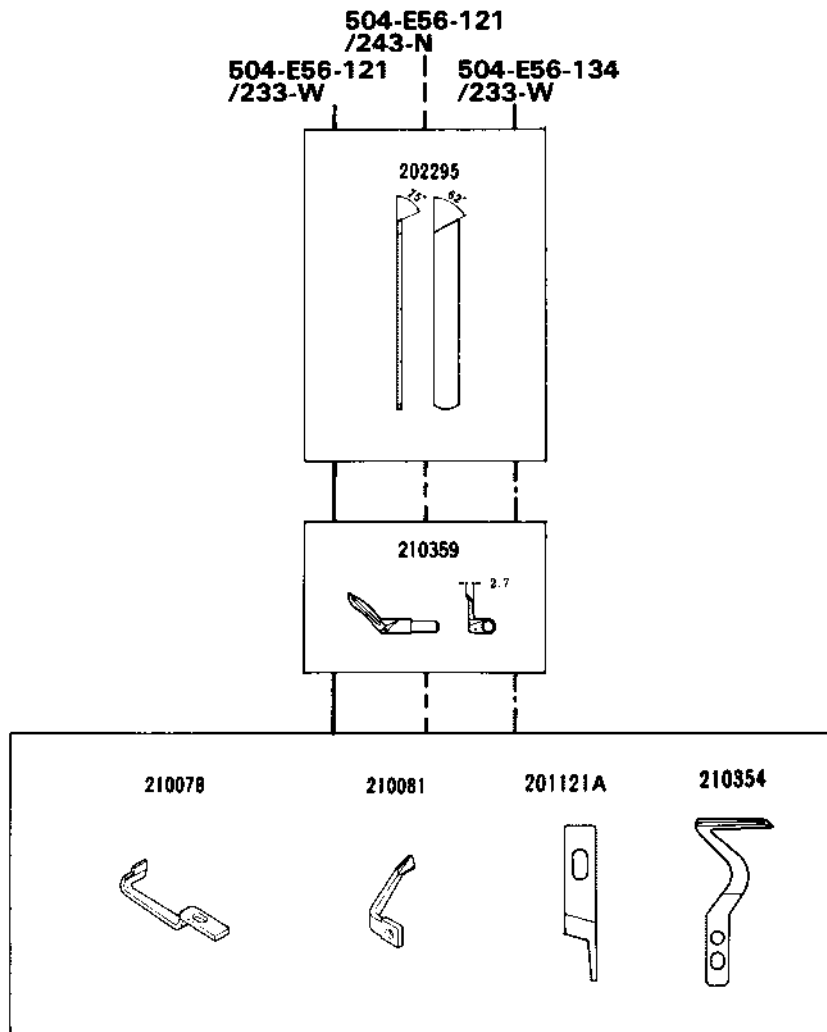
							MEMO	
504-E56-110/102-W	3.2	/	2·3·4	0.8~2	8,500			Specially designed for seaming on lingerie.
504-E56-111/102-W								

504-E56-121  
504-E56-134

GUAGE PARTS  
CONSTRUCTION CHART



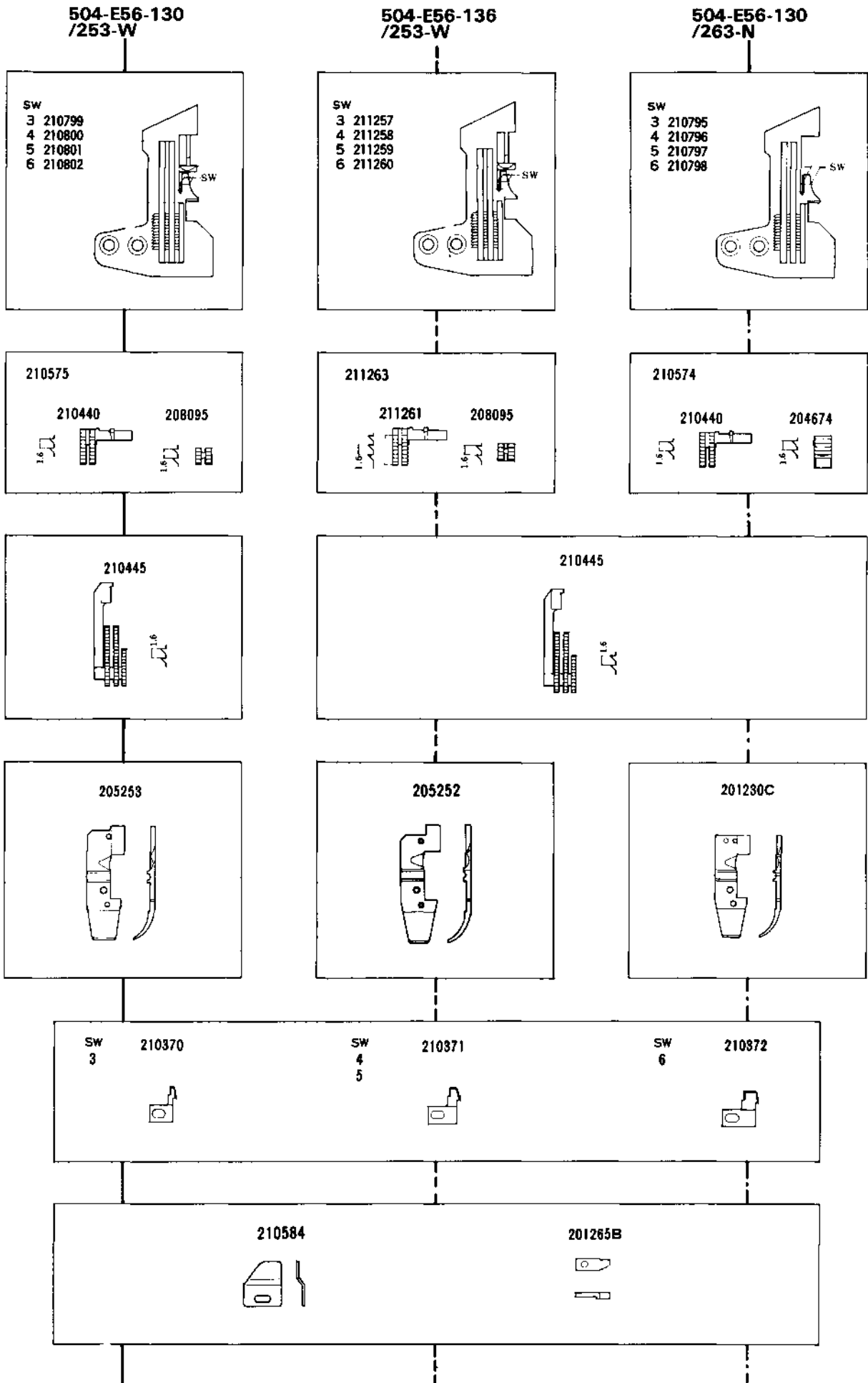
From the library of: Diamond Needle Corp



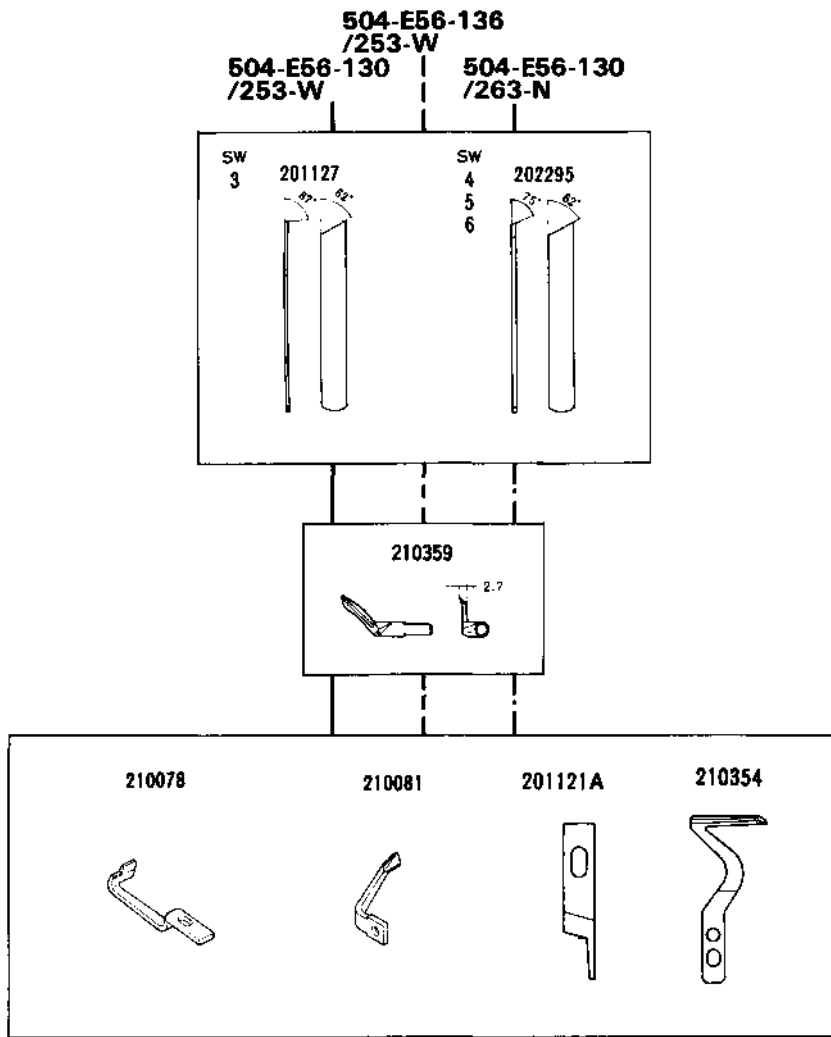
						MEMO	
504-E56-121/233-W	3.2	/	3·4·5·6	0.7-2	8,500		Seaming on foundations, light weight sweaters, dresses, etc.
504-E56-121/243-N							
504-E56-134/233-W	3.6						For sleeve, side and shoulder closing operations on light to medium weight materials such as underwear and ladies' and children's outerwear.








504-E56-130  
504-E56-136

GAUGE PARTS  
CONSTRUCTION CHART



From the library of: Diamond Needle Corp

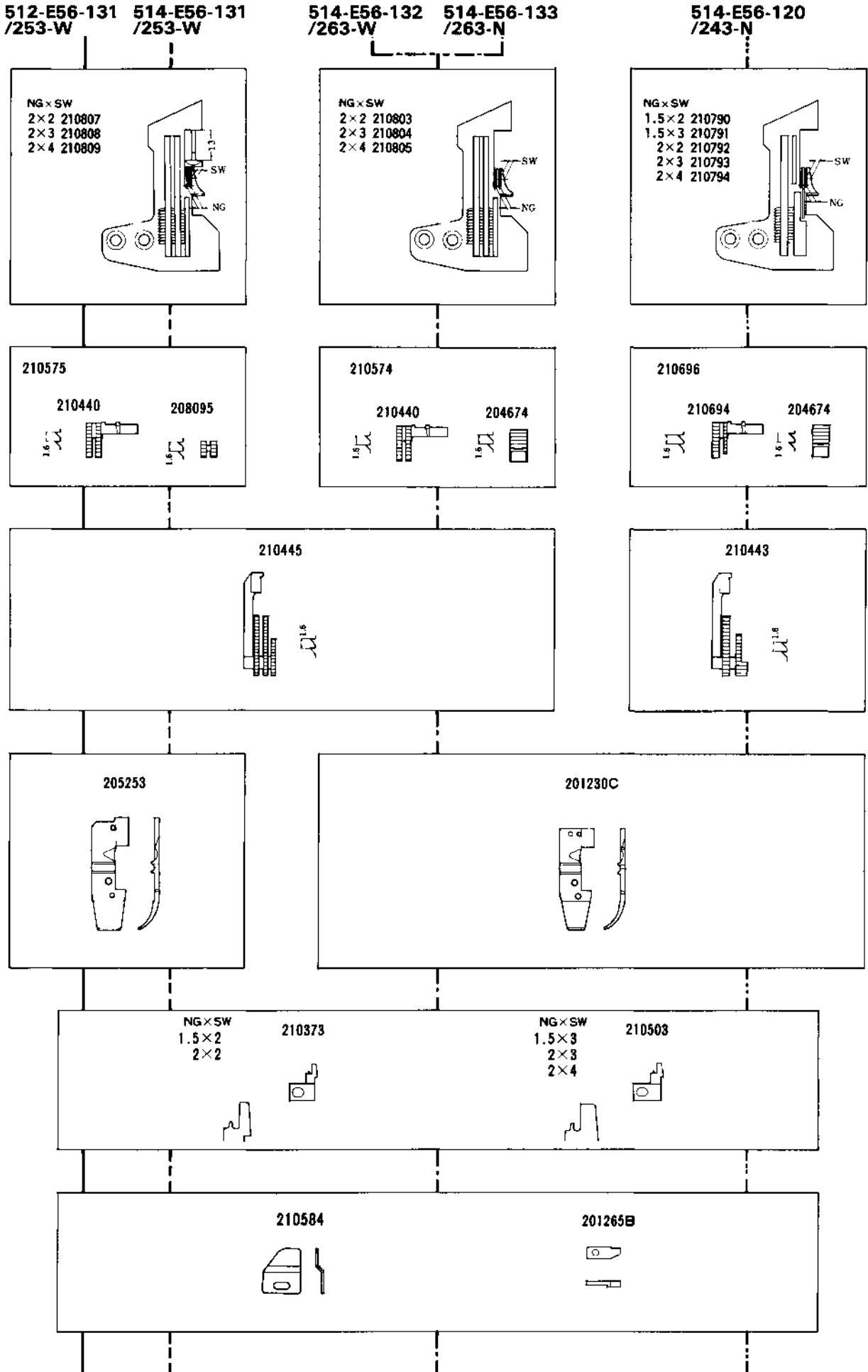


						MEMO	
504-E56-130/253-W	3.6	/	3-4-5-6	0.7~2	8,500		For sleeve, side and shoulder closing operations on light to medium weight materials such as underwear and ladies' and children's outerwear.
504-E56-130/263-N							
504-E56-136/253-W							

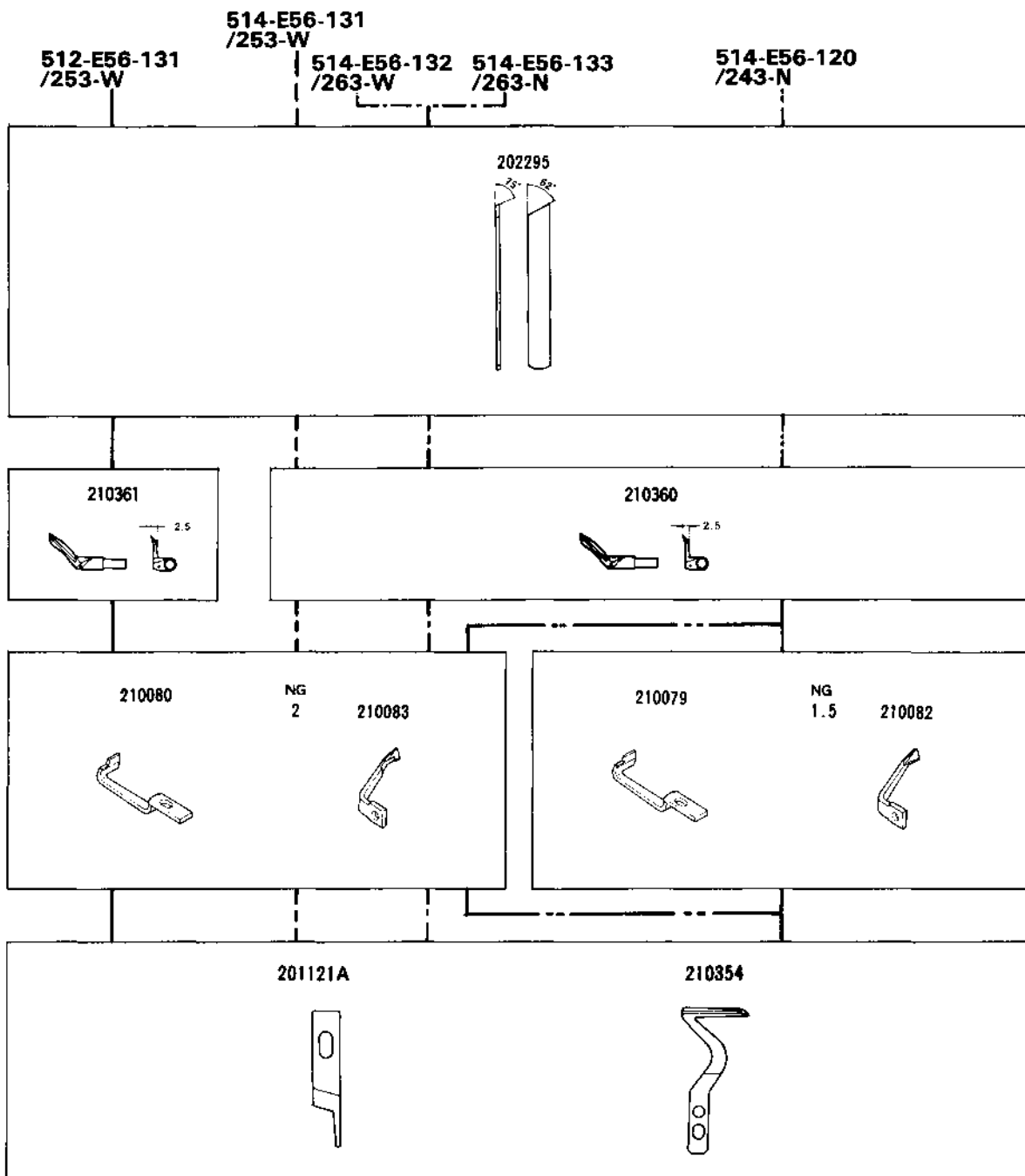


512-E56-131, 514-E56-132, 514-E56-120  
 514-E56-131, 514-E56-133








GAUGE PARTS  
 CONSTRUCTION CHART



From the library of: Diamond Needle Corp



From the library of: Diamond Needle Corp

						MEMO	
512-E56-131/253-W	3.6	2	2-3-4	0.7~2	8,000		Closing and attaching sleeves and side closing on dress shirts, blouses etc.
514-E56-131/253-W							
514-E56-132/263-W	3.2	1.5	2-3	1~3			
514-E56-133/263-N	3.6						
514-E56-120/243-N	1.5	2-3	0.7~2				
	2	2-3-4					

505-E56-210, 503-E56-220  
503-E56-211, 503-E56-223

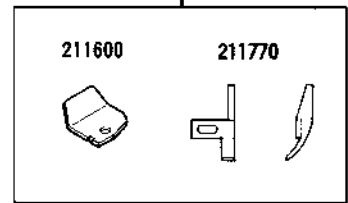
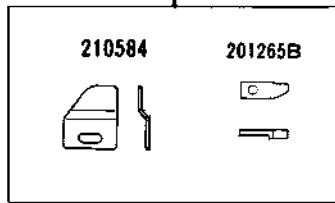
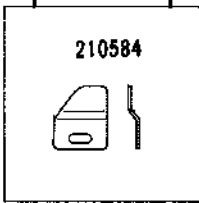
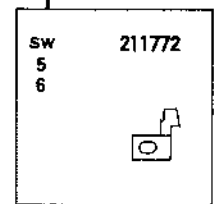
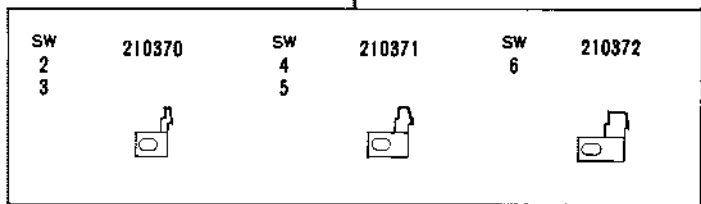
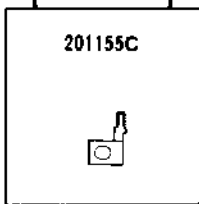
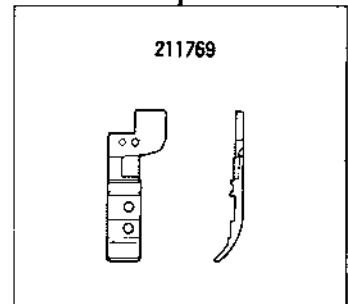
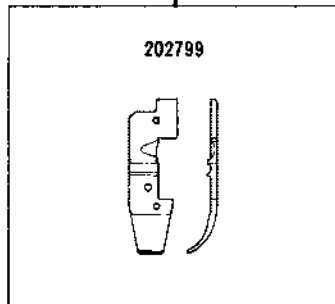
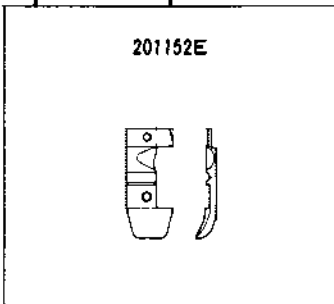
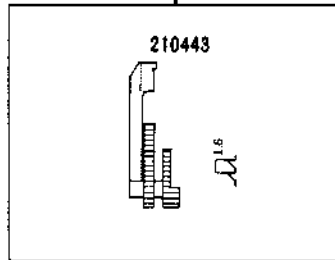
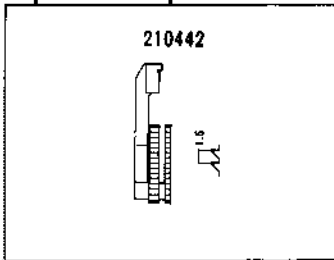
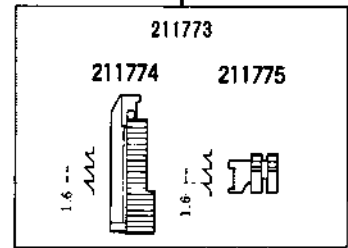
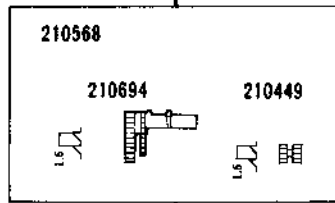
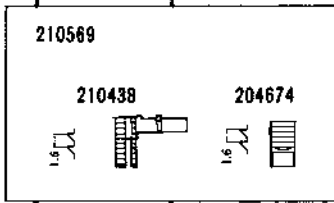
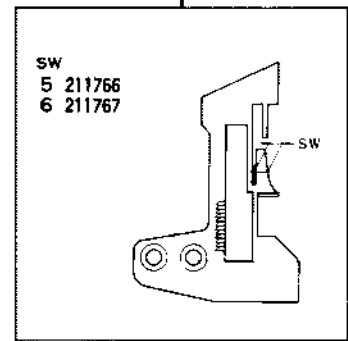
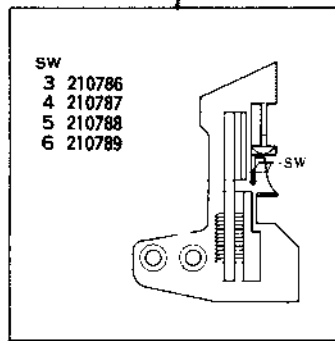
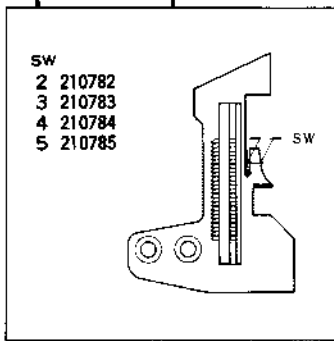
GUAGE PARTS  
CONSTRUCTION CHART

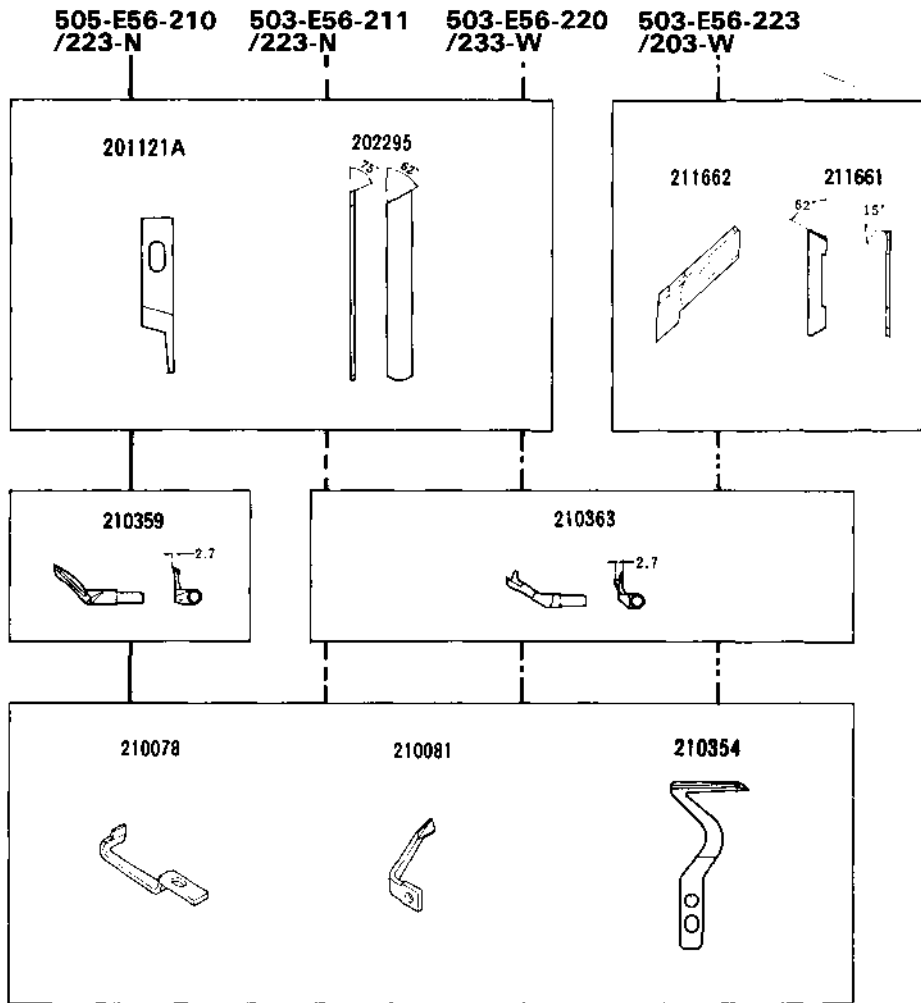
505-E56-210  
/223-N




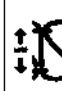



503-E56-211  
/223-N

503-E56-220  
/233-W

503-E56-223  
/203-W





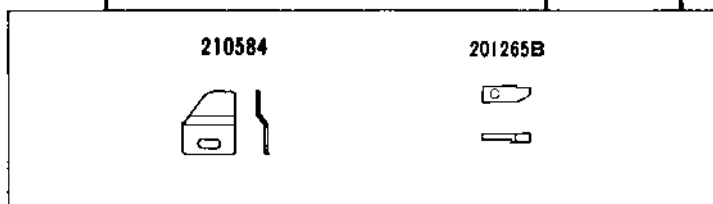
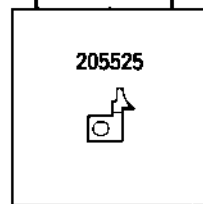
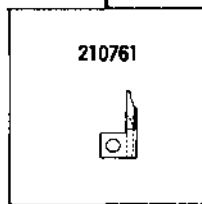
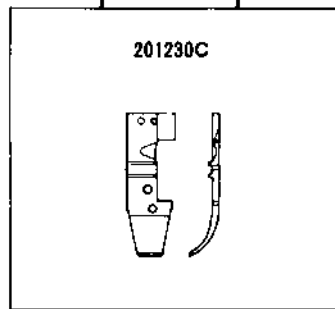
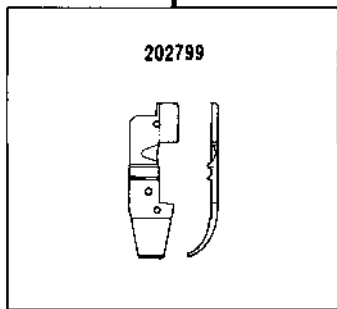
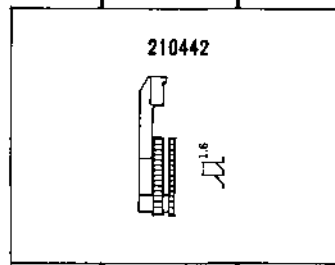
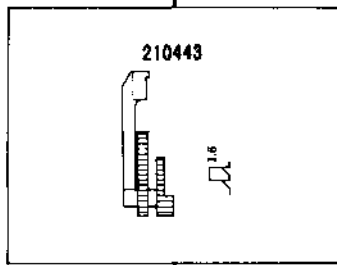
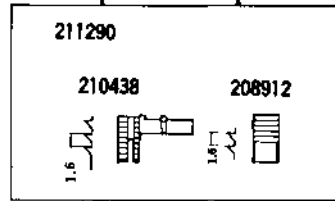
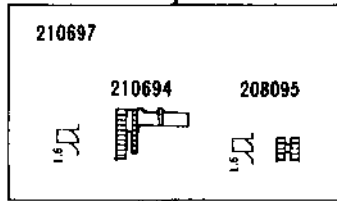
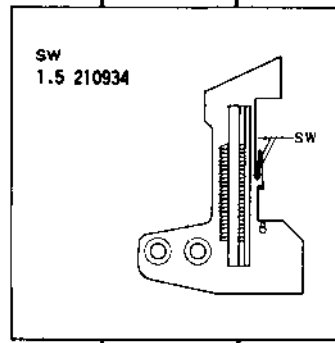
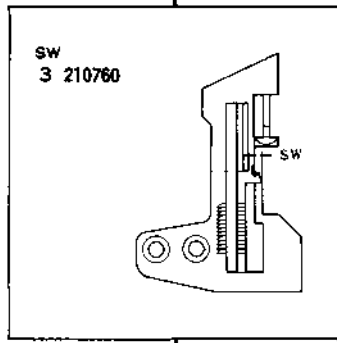
						MEMO		
505-E56-210/223-N	3.6	!	2-3-4-5	0.7~2	8,500		Three thread blindstitch hemming on light to medium weight materials such as U-neck undershirts, athletic shirts, briefs etc.	
503-E56-211/223-N							Two thread blindstitch hemming on light to medium weight materials such as U-neck undershirts, athletic shirts, briefs etc.	
503-E56-220/233-W			5.0	3-4-5-6	0.7~1.3	8,000		General serging operations on slacks, jackets, workingwear etc.
503-E56-223/203-W			6.2	5-6				

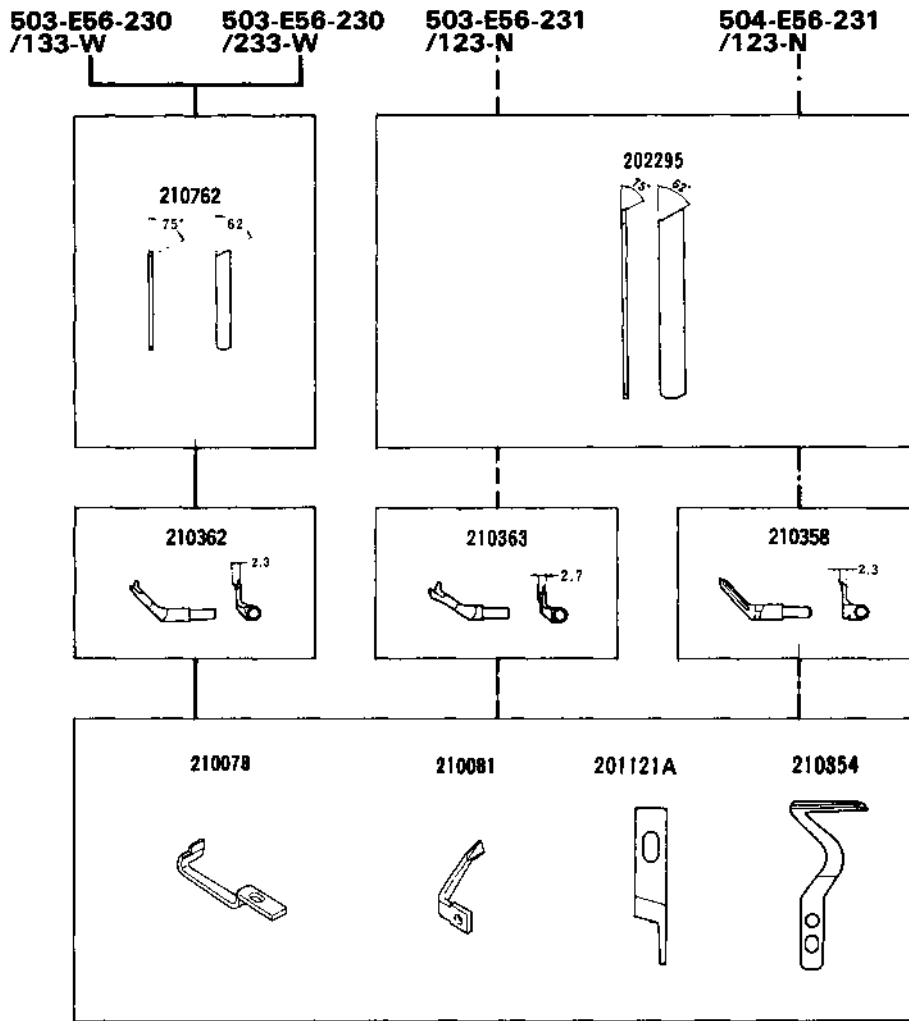
503-E56-230  
503-E56-231

GAUGE PARTS  
CONSTRUCTION CHART





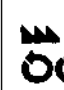


503-E56-230 /133-W    503-E56-230 /233-W

503-E56-231 /123-N    504-E56-231 /123-N



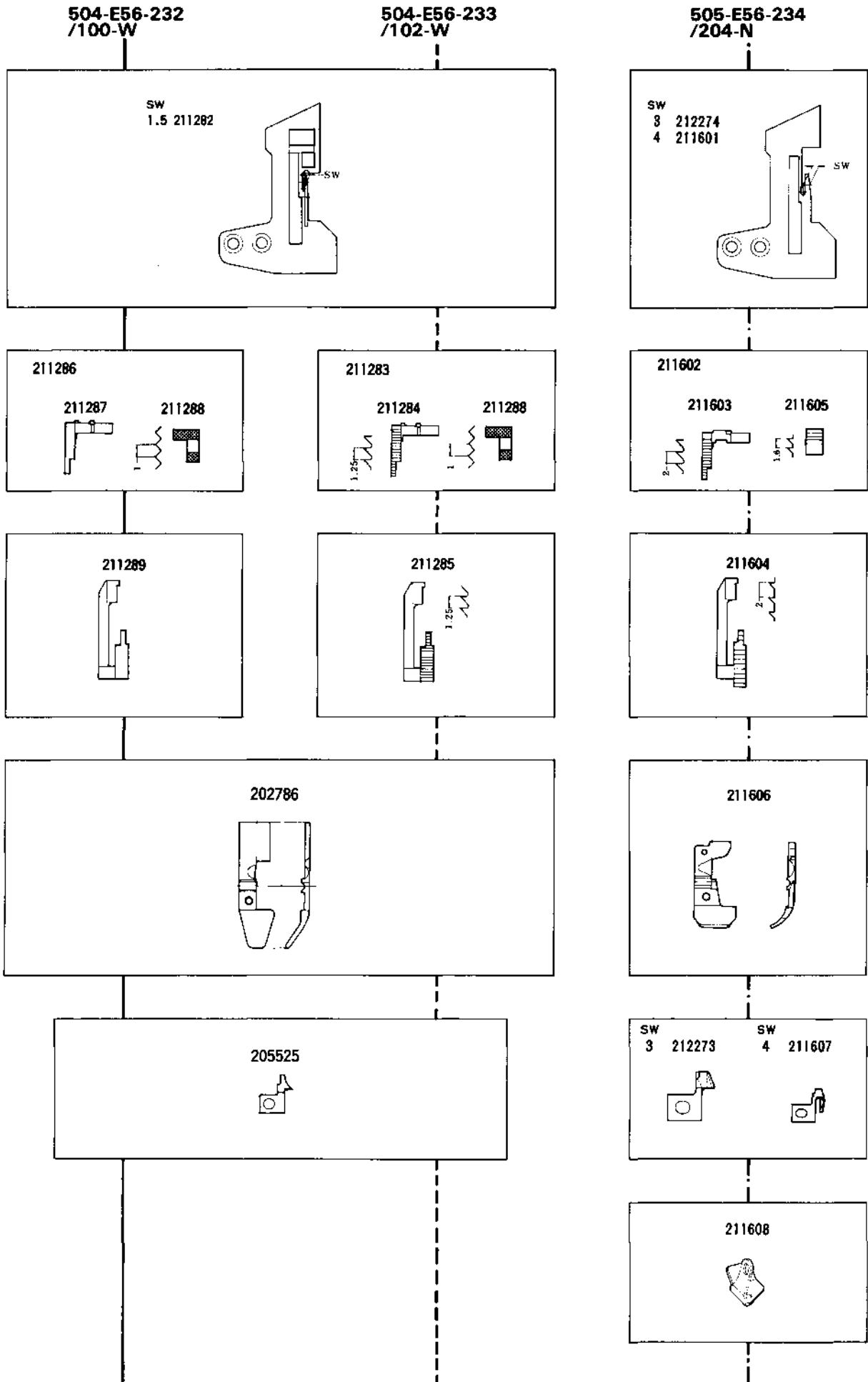


From the library of: Diamond Needle Corp

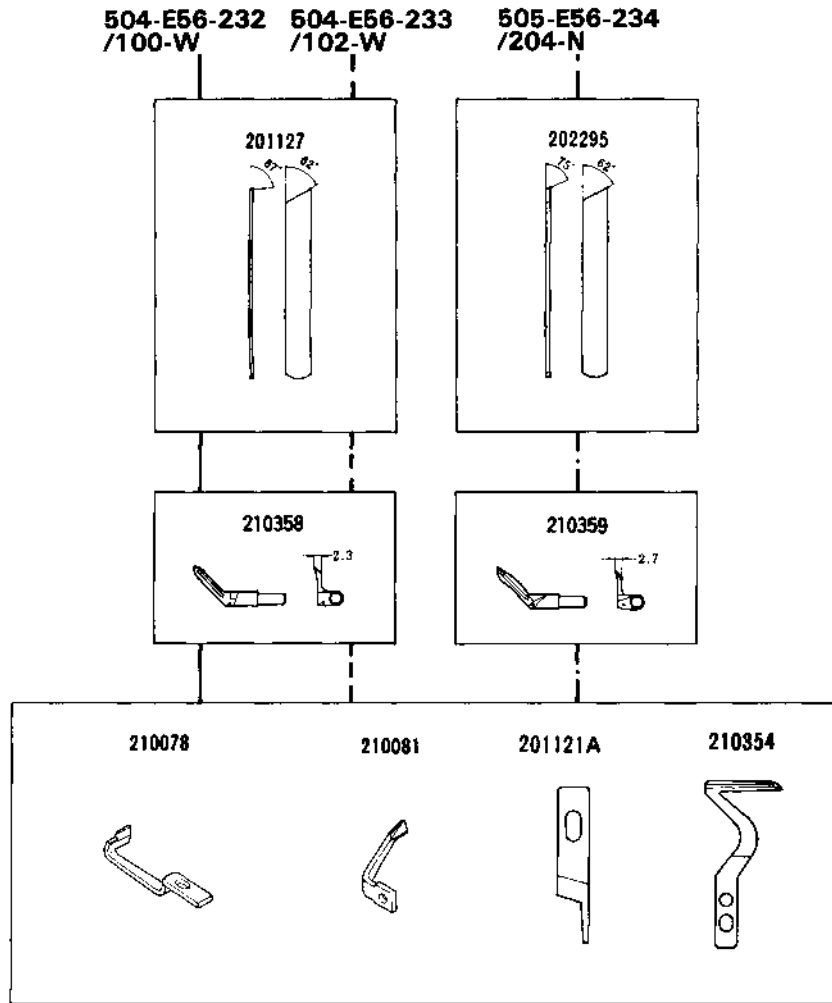
						MEMO	
503-E56-230/133-W	3.6	/	3	0.7~2	8,500		Two thread machine with low lift looper mechanism for light weight materials such as curtains, handkerchiefs etc.
503-E56-230/233-W	3.2						Two thread machine with standard lift looper mechanism for light to medium weight materials such as curtains.
503-E56-231/123-N	1.8		1.5	0.8~2			Two thread machine with low lift looper mechanism for light weight materials such as curtains, handkerchiefs etc.
504-E56-231/123-N							Three thread machine equipped with low lift looper mechanism for light weight materials such as handkerchiefs etc.

504-E56-232, 505-E56-234  
504-E56-233




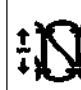



GAUGE PARTS  
CONSTRUCTION CHART



From the library of: Diamond Needle Corp



From the library of: Diamond Needle Corp

						MEMO	
504-E56-232/100-W	1.8	/	1.5	0.7~1.7	8,500		Equipped with rubber coated feeds and low lift looper for extra light weight materials such as pantyhose, scarves etc.
504-E56-233/102-W							Equipped with fine-pitch feeds and low lift looper mechanism for extra lightweight materials such as curtains, scarves etc.
505-E56-234/204-N						3.6	3-4



504-E56-242, 514-E56-243  
512-E56-243

GAUGE PARTS  
CONSTRUCTION CHART

504-E56-242  
/253-W

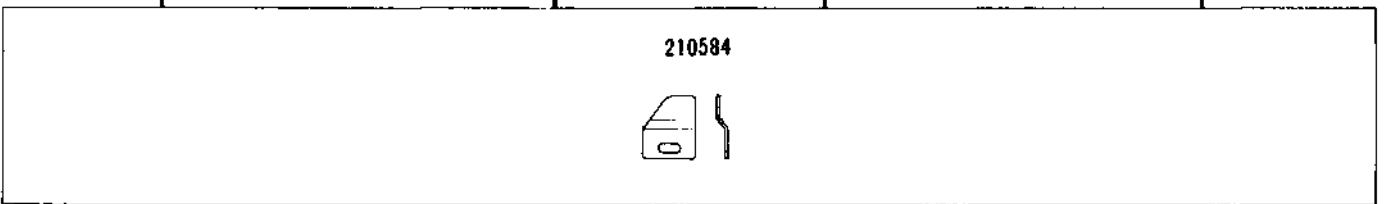
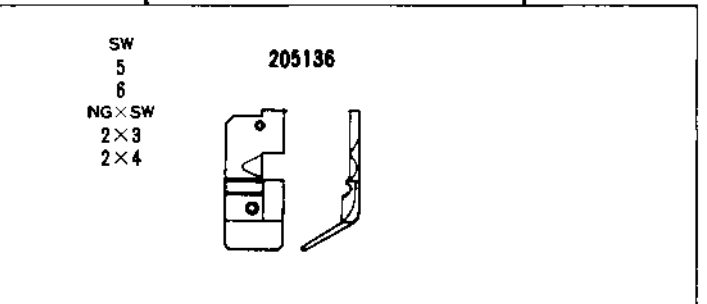
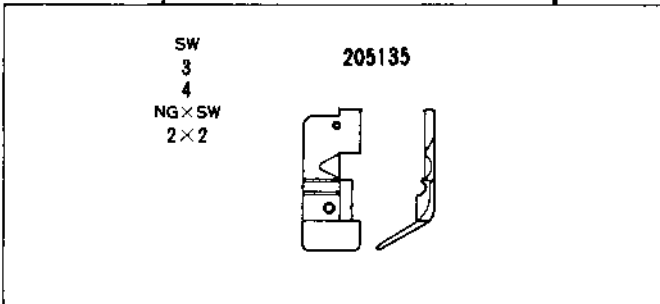
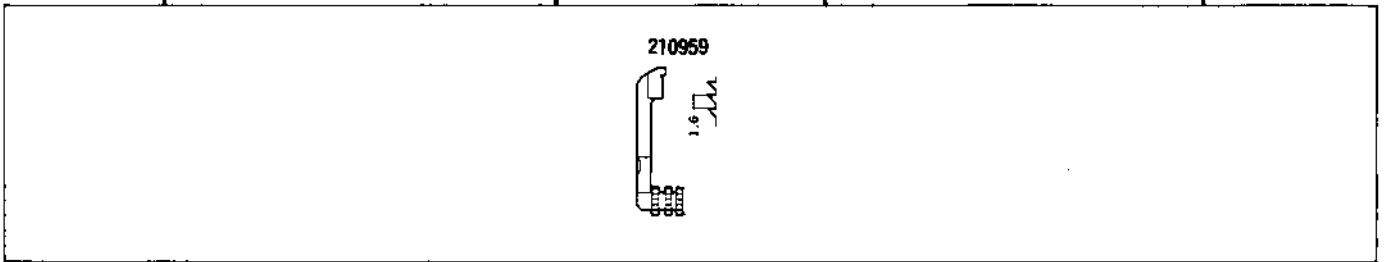
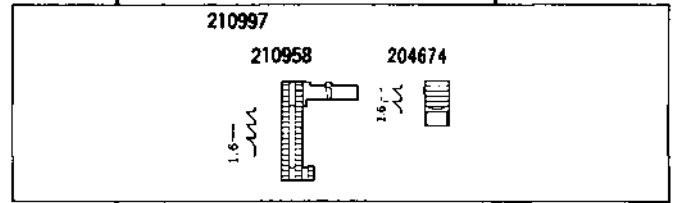
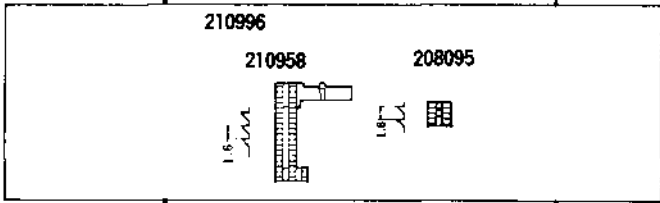
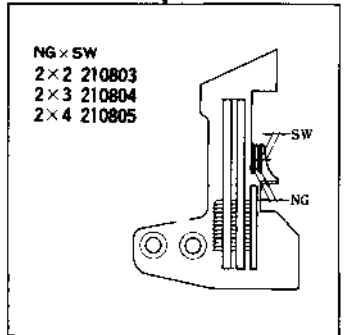
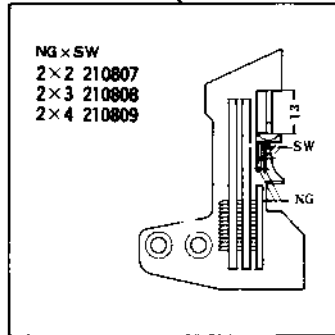
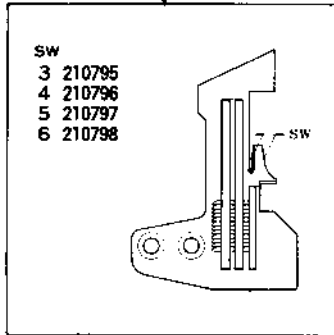
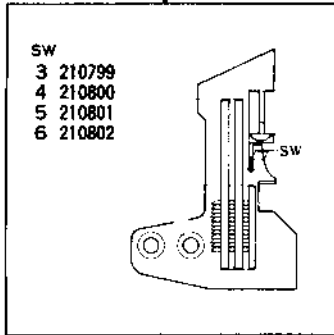
504-E56-242  
/263-W

512-E56-243  
/253-W

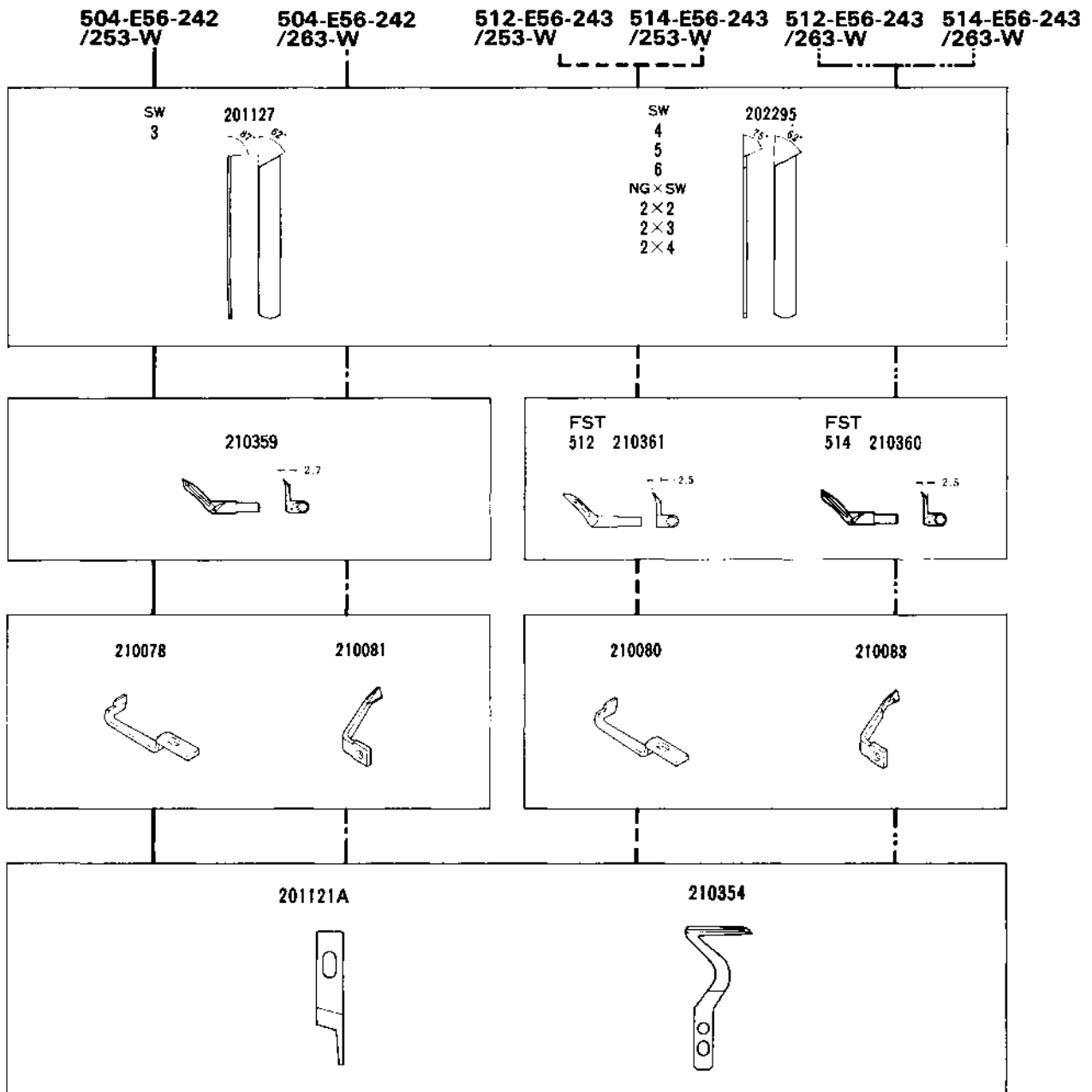
514-E56-243  
/253-W

512-E56-243  
/263-W

514-E56-243  
/263-W



From the library of: Diamond Needle Corp

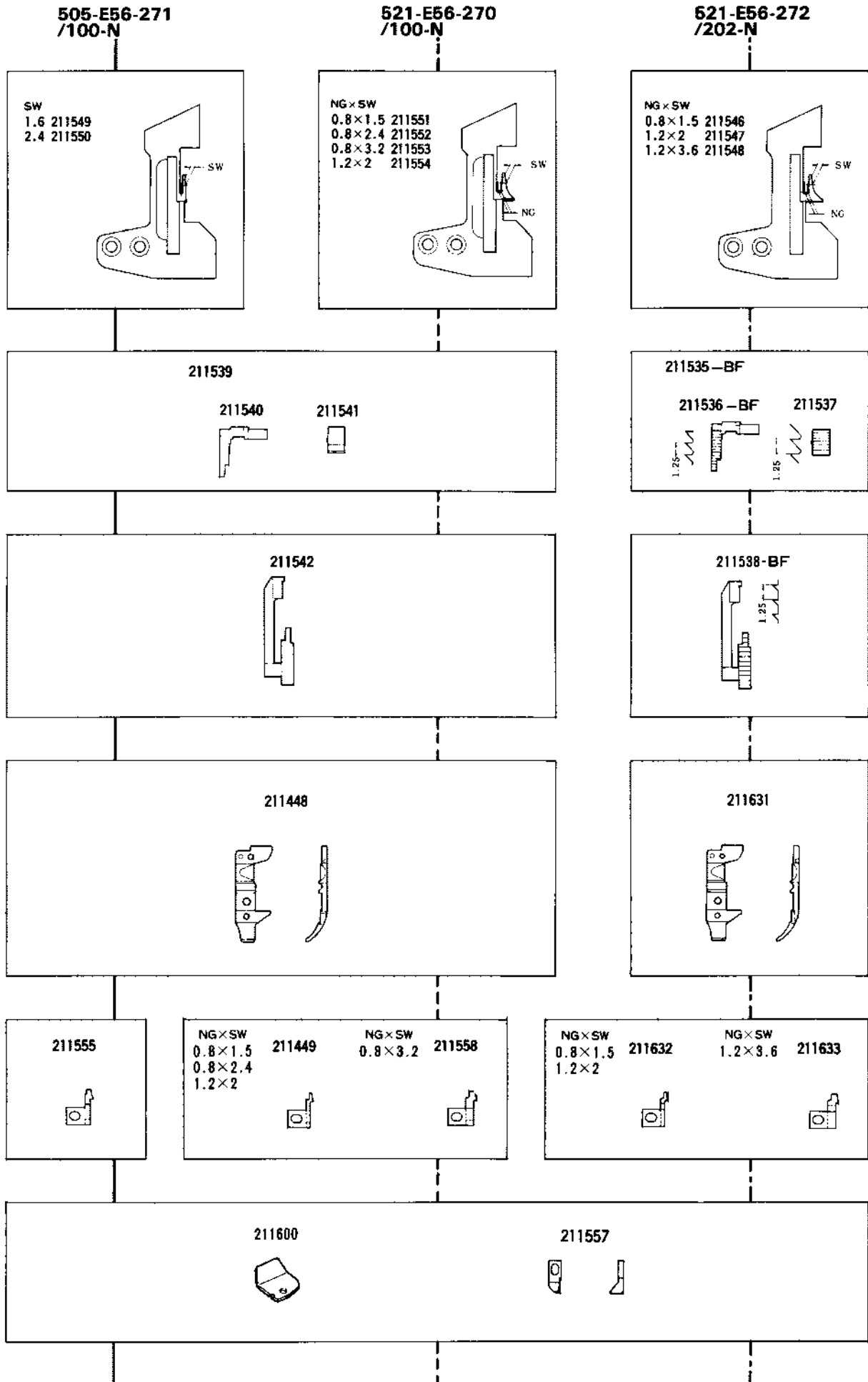


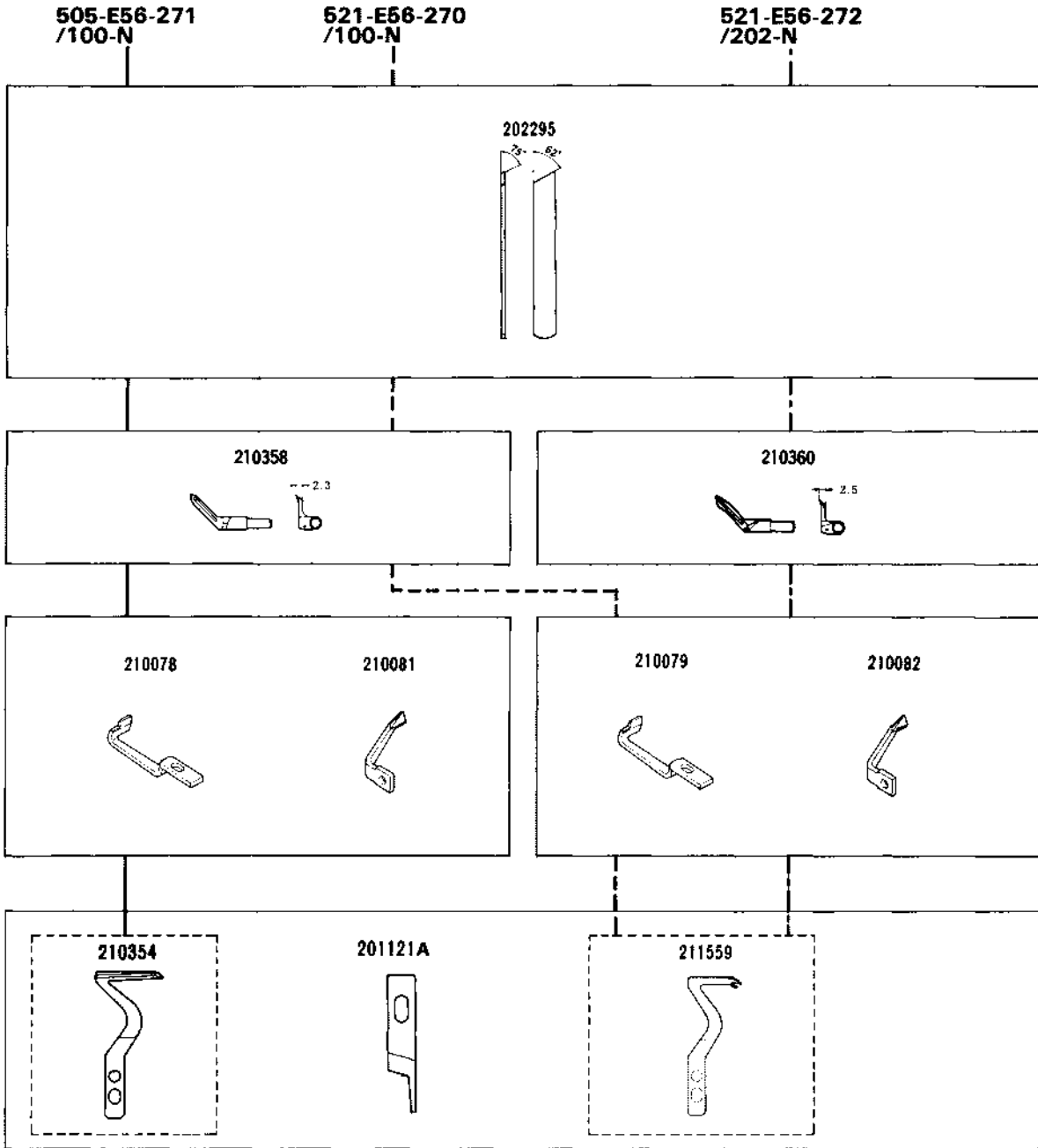
From the library of: Diamond Needle Corp






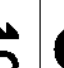




						MEMO	
504-E56-242/253-W	3.2	!	3-4-5-6		7,000		Single needle overedgers for intermittent shirring on light to medium weight materials such as lingerie, curtains etc.
504-E56-242/263-W							
512-E56-243/253-W	3.2	!	2-3-4		7,000		Mock safety stitch overedgers for intermittent shirring on light to medium weight materials such as negligee, curtains etc.
512-E56-243/263-W							
514-E56-243-253-W							
514-E56-243/263-W							Two needle overedgers for intermittent shirring on light to medium weight material such as lingerie curtains etc.

521-E56-270, 521-E56-272  
505-E56-271

GAUGE PARTS  
CONSTRUCTION CHART





						MEMO				
505-E56-271/100-N	1.7				0.8~2	8,500	Single needle three thread machine with low lift looper mechanism for neat uniform toe closing and seaming of stockings and pantyhose.			
521-E56-270/100-N							1.6·2.4	1.5·2.4·3.2	8,000	Two needle three thread machine with low lift looper mechanism for neat, uniform toe closing and seaming of stockings and pantyhose.
521-E56-272/202-N							0.8	2		Two needle three thread machine for toe closing of mens socks.
							1.2	1.5		2.0·3.6

# E32 GAUGE PARTS LIST (1)



MACHINE TYPE /SPEC.	GAUGE NG SW	NEEDLE PLATE	MAIN FEED COMPLETE	DIFF. FEED DOG	PRESSER FOOT COMPLETE	FAB. GUARD	UPPER LOOPER	UPPER SPREADER	NEEDLE HOLDER	NEEDLE GUARD	NEEDLE
515-E32-410 /212-	2 3	210833	210892	210889	208503	208531	210364	210512	210272	210276	DCX27
	2 4	210834	"	"	"	"	" #22	" #21	"	"	#11
	2 5	210835	"	"	"	"	"	"	"	"	
	2 6	210836	"	"	"	"	"	"	"	"	
	3 3	210837	"	"	208504	"	"	"	210273	"	
	3 4	210838	"	"	"	"	"	"	"	"	
	3 5	210839	"	"	"	"	"	"	"	"	
	3 6	210840	"	"	"	"	"	"	"	"	
515-E32-410 /211-	2 3	210833	210578	210491	208503	208531	210364	210512	210272	210276	DCX27
	2 4	210834	"	"	"	"	" #22	" #21	"	"	#11
	2 5	210835	"	"	"	"	"	"	"	"	
	2 6	210836	"	"	"	"	"	"	"	"	
	3 3	210837	"	"	208504	"	"	"	210273	"	
	3 4	210838	"	"	"	"	"	"	"	"	
	3 5	210839	"	"	"	"	"	"	"	"	
	3 6	210840	"	"	"	"	"	"	"	"	
515-E32-410A /212- 515-E32-410B	2 3	210833	210892	210889	211907	-----	210364	210512	210272	210276	DCX27
	2 4	210834	"	"	"	-----	" #22	" #21	"	"	#11
	2 5	210835	"	"	211908	-----	"	"	"	"	
	2 6	210836	"	"	"	-----	"	"	"	"	
	3 3	210837	"	"	211909	-----	"	"	210273	"	
	3 4	210838	"	"	"	-----	"	"	"	"	
	3 5	210839	"	"	211910	-----	"	"	"	"	
	3 6	210840	"	"	"	-----	"	"	"	"	
515-E32-411 /232-	2 3	210841	210893	210890	208500	208531	210364	210512	210272	210276	DCX27
	2 4	210842	"	"	"	"	" #22	" #21	"	"	#11
	2 5	210843	"	"	"	"	"	"	"	"	
	2 6	210844	"	"	"	"	"	"	"	"	
	3 3	210845	"	"	208501	"	"	"	210273	"	
	3 4	210846	"	"	"	"	"	"	"	"	
	3 5	210847	"	"	"	"	"	"	"	"	
	3 6	210848	"	"	"	"	"	"	"	"	
515-E32-420 /213 -	3 3	210837	210579	210492	208504	208531	210364	210512	210273	210276	DCX27
	3 4	210838	"	"	"	"	" #22	" #21	"	"	#11
	3 5	210839	"	"	"	"	"	"	"	"	
	3 6	210840	"	"	"	"	"	"	"	"	
515-E32-420A /213 - 515-E32-420B	3 3	210837	210579	210492	211909	-----	210364	210512	210273	210276	DCX27
	3 4	210838	"	"	"	-----	" #22	" #21	"	"	#11
	3 5	210839	"	"	211910	-----	"	"	"	"	
	3 6	210840	"	"	"	-----	"	"	"	"	

From the library of: Diamond Needle Corp

- 148 -

★The upper knife is # 202527A.

**COMMON GAUGE PARTS**

210357	Chainstitch looper	201121A	Upper knife
210275	Overlock needle guard (front)	202295	Lower knife
210278	Chainstitch needle guard (front)	210356	Lower looper
210279	Chainstitch needle guard (rear)		

# E32 GAUGE PARTS LIST (2)



MACHINE TYPE /SPEC.	GAUGE		NEEDLE PLATE	MAIN FEED COMPLETE	DIFF. FEED DOG	PRESSER FOOT		UPPER LOOPER	UPPER SPREADER	NEEDLE HOLDER	NEEDLE GUARD	NEEDLE
	NG	SW				COMPLETE	FAB. GUARD					
515-E32-430 /233-	2	3	210841	210581	210494	208500	208531	210365	210513	210272	210276	DCX27 #14
	2	4	210842	"	"	"	"	" #24	" #23	"	"	
	2	5	210843	"	"	"	"	"	"	"	"	
	2	6	210844	"	"	"	"	"	"	"	"	
	3	3	210845	"	"	208501	"	"	"	210273	"	
	3	4	210846	"	"	"	"	"	"	"	"	
	3	5	210847	"	"	"	"	"	"	"	"	
	3	6	210848	"	"	"	"	"	"	"	"	
	5	3	210849	"	"	208502	"	"	"	210274	"	
	5	4	210850	"	"	"	"	"	"	"	"	
515-E32-431 /233-	3	4	210846	210581-SH	210494-SH	208501	208531	-----	210512	210273	210276	DCX27 #11
	3	5	210847	"	"	"	"	-----	#21	"	"	
515-E32-440 /255-	2	3	210855	210582	210498	208500	208531	210365	210513	210272	210276	DCX27 #16
	2	4	210856	"	"	"	"	" #24	" #23	"	"	
	2	5	210857	"	"	"	"	"	"	"	"	
	2	6	210858	"	"	"	"	"	"	"	"	
	3	3	210859	"	"	208501	"	"	"	210273	"	
	3	4	210860	"	"	"	"	"	"	"	"	
	3	5	210861	"	"	"	"	"	"	"	"	
	3	6	210862	"	"	"	"	"	"	"	"	
	5	3	210863	"	210501	208502	"	"	"	210274	"	
	5	4	210864	"	"	"	"	"	"	"	"	
★ 515-E32-450 /335-	3	5	211371	210582	210495	211366	204683	210365	210513	210273	210276	See note below.
	3	6	211372	"	"	"	"	" #24	" #23	"	"	
	5	5	210853	"	"	208955	"	"	"	210274	"	
	5	6	210854	"	"	"	"	"	"	"	"	
★ 515-E32-451 /355-	5	5	210867	210582	210501	208955	204683	210365	210513	210274	210276	
	5	6	210868	"	"	"	"	" #24	" #23	"	"	
★ 515-E32-452 /435-	3	5	210371	210582	210495	211366	204683	211719	211845	210273	210276	
	3	6	210372	"	"	"	"	" #38	" #29	"	"	
	5	5	210853	"	"	208955	"	"	"	210274	"	
	5	6	210854	"	"	"	"	"	"	"	"	
★ 515-E32-453 /455-	5	5	210867	210582	210501	208955	204683	211719	211845	210274	210276	
	5	6	210868	"	"	"	"	" #38	" #29	"	"	
	5	7	212117	"	"	"	"	"	"	"	"	

★Chainstitch looper is #210357-HC.  
 Overlock needle is DC×1, #19.  
 Chainstitch needle is DC×27, #19.

### COMMON GAUGE PARTS

210357	Chainstitch looper	201121A	Upper knife
210275	Overlock needle guard (front)	202295	Lower knife
210278	Chainstitch needle guard (front)	210356	Lower looper
210279	Chainstitch needle guard (rear)		

# E32 GAUGE PARTS LIST (3)



MACHINE TYPE /SPEC.	GAUGE		NEEDLE PLATE	MAIN FEED COMPLETE	DIFF. FEED DOG	PRESSER FOOT		UPPER LOOPER	UPPER SPREADER	NEEDLE HOLDER	NEEDLE GUARD	NEEDLE
	NG	SW				COMPLETE	FAB. GUARD					
515-E32-540 /233-	2	3	210964	211000	211011	208507	208532	210364	210512	210272	210276	DCX27
	2	4	210965	"	"	"	"	" #22	" #21	"	"	#11
	2	5	210966	"	"	"	"	"	"	"	"	
	2	6	210967	"	"	"	"	"	"	"	"	
	3	3	210968	"	"	208508	"	210365	210513	210273	"	DCX27
	3	4	210969	"	"	"	"	" #24	" #23	"	"	#14
	3	5	210970	"	"	"	"	"	"	"	"	
	3	6	210971	"	"	"	"	"	"	"	"	
	5	3	210972	"	"	208509	"	"	"	210274	"	
	5	4	210973	"	"	"	"	"	"	"	"	
515-E32-541 /335-	3	3	210968	211001	211012	208508	208532	210367	210514	210273	210276	DCX27
	3	4	210969	"	"	"	"	" #28	" #25	"	"	#16
	3	5	210970	"	"	"	"	"	"	"	"	
	3	6	210971	"	"	"	"	"	"	"	"	
	5	3	210972	"	"	208509	"	"	"	210274	"	
	5	4	210973	"	"	"	"	"	"	"	"	
	5	5	210974	"	"	"	"	"	"	"	"	
	5	6	210975	"	"	"	"	"	"	"	"	
515-E32-542 /253-	2	3	210976	211002	210957	208507	208532	210364	210512	210272	210276	DCX27
	2	4	210977	"	"	"	"	" #22	" #21	"	"	#11
	2	5	210978	"	"	"	"	"	"	"	"	
	2	6	210979	"	"	"	"	"	"	"	"	
	3	3	210980	"	"	208508	"	210365	210513	210273	"	DCX27
	3	4	210981	"	"	"	"	" #24	" #23	"	"	#14
	3	5	210982	"	"	"	"	"	"	"	"	
	3	6	210983	"	"	"	"	"	"	"	"	
	5	3	210984	211003	"	208509	"	"	"	210274	"	
	5	4	210985	"	"	"	"	"	"	"	"	
515-E32-542P1 515-E32-542P2 /253-	3	3	210980	211002	210957	204502A	204460	210365	210513	210273	210276	DCX27
	3	4	210981	"	"	"	"	" #24	" #23	"	"	#14
	3	5	210982	"	"	"	"	"	"	"	"	
	3	6	210983	"	"	"	"	"	"	"	"	
	5	3	210984	211003	"	204505A	"	"	"	210274	"	
	5	4	210985	"	"	"	"	"	"	"	"	
	5	5	210986	"	"	"	"	"	"	"	"	
	5	6	210987	"	"	"	"	"	"	"	"	

### COMMON GAUGE PARTS

210357	Chainstitch looper	201121A	Upper knife
210275	Overlock needle guard (front)	202295	Lower knife
#278	Chainstitch needle guard (front)	210356	Lower looper
210279	Chainstitch needle guard (rear)		

# E32 GAUGE PARTS LIST (4)



MACHINE TYPE /SPEC.	GAUGE		NEEDLE PLATE	MAIN FEED COMPLETE	DIFF. FEED DOG	PRESSER FOOT		UPPER LOOPER	UPPER SPREADER	NEEDLE HOLDER	NEEDLE GUARD	NEEDLE
	NG	SW				COMPLETE	FAB. GUARD					
515-E32-543 /355-	3	3	210980	211004	211013	208508	208532	210367	210514	210273	210276	DCX27
	3	4	210981	"	"	"	"	" #28	" #25	"	"	#16
	3	5	210982	"	"	"	"	"	"	"	"	"
	3	6	210983	"	"	"	"	"	"	"	"	"
	5	3	210984	211005	"	208509	"	"	"	210274	"	"
	5	4	210985	"	"	"	"	"	"	"	"	"
	5	5	210986	"	"	"	"	"	"	"	"	"
	5	6	210987	"	"	"	"	"	"	"	"	"
515-E32-550 /213-	3	4	211379	210579	210492	208998	208531	210364	-----	210273	210276	DCX27
	3	5	211380	"	"	"	"	" #22	-----	"	"	#11
515-E32-551 /233-	3	4	211381	210581	210494	209202	208531	210364	-----	210273	210276	DCX27
	3	5	211382	"	"	"	"	" #22	-----	"	"	#11
	5	4	211383	"	"	209204	"	"	-----	210274	"	"
	5	5	211384	"	"	"	"	"	-----	"	"	"

Diamond Needle Corp

★	516-E32-355	3	2	3	211569	210579	210492	208649	208531	210365	-----	211573	210724	DCX27
		3	2	4	211570	"	"	"	"	" #24	-----	"	"	#11
★	516-E32-359	3	2	3	211569	210579	210492	208649	208531	211507	-----	211573	210724	DCX27
		3	2	4	211570	"	"	"	"	" #36	-----	"	"	#11
★	516-E32-555	5	2	3	211574	210581	210494	209255	208531	210365	-----	211577	210724	DCX27
		5	2	4	211575	"	"	"	"	" #24	-----	"	"	#11
★	516-E32-559	5	2	3	211574	210581	210494	209255	208531	211507	-----	211577	210724	DCX27
		5	2	4	211575	"	"	"	"	" #36	-----	"	"	#11

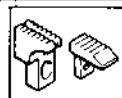
★ The overlock needle guard (front) is #211578.

### COMMON GAUGE PARTS

210357	Chainstitch looper	201121A	Upper knife
210275	Overlock needle guard (front)	202295	Lower knife
210278	Chainstitch needle guard (front)	210356	Lower looper
210279	Chainstitch needle guard (rear)		



# E52 GAUGE PARTS LIST (1)



MACHINE TYPE /SPEC.	GAUGE		NEEDLE PLATE	MAIN FEED COMPLETE	DIFF. FEED DOG	PRESSER FOOT			LOWER KNIFE	UPPER LOOPER	NEEDLE GUARD		NEEDLE HOLDER	NEEDLE
	NG	SW				BODY	FINGER	FAB. GRD			(FRONT)	(REAR)		
★ 504-E52-121 /233-W	3		212241	212249	211974	211987	210370	211557	202295	210364	210251	210255	211358	DCX27 #11
	4		212242	"	"	"	210371	"	"	" #22	"	"	"	
	5		212243	"	"	"	"	"	"	"	"	"	"	
	6		212244	"	"	"	210372	"	"	"	"	"	"	
★ 504-E52-121 /243-N	3		212245	212250	211974	211986	210370	211557	202295	210364	210251	210255	211358	DCX27 #11
	4		212246	"	"	"	210371	"	"	" #22	"	"	"	
	5		212247	"	"	"	"	"	"	"	"	"	"	
	6		212248	"	"	"	210372	"	"	"	"	"	"	
★ 504-E52-121T /243-N	3		212241	212250	211974	211986	210370	211557	202295	210364	210251	210255	211358	DCX27 #11
	4		212242	"	"	"	"	"	"	" #22	"	"	"	
	5		212247	"	"	"	"	"	"	"	"	"	"	
	6		212248	"	"	"	210372	"	"	"	"	"	"	
★ 504-E52-130 /253-W	3		210799	210575	210445	205253	210370	201265B	201127	210365	210251	210255	211358	DCX27 #14
	4		210800	"	"	"	210371	"	202295	" #24	"	"	"	
	5		210801	"	"	"	"	"	"	"	"	"	"	
	6		210802	"	"	"	210372	"	"	"	"	"	"	
★ 504-E52-130 /263-N	3		210795	210574	210445	201230C	210370	201265B	201127	210364	210251	210255	211358	DCX27 #11
	4		210796	"	"	"	210371	"	202295	" #22	"	"	"	
	5		210797	"	"	"	"	"	"	"	"	"	"	
	6		210798	"	"	"	210372	"	"	"	"	"	"	
★ 504-E52-130P1 /504-E52-130P2 /253-W	3		210799	210575	210445	211873-TA	212271-TA	-----	201127	210365	210251	210255	211358	DCX27 #11
	4		210800	"	"	"	211874-TA	-----	202295	" #24	"	"	"	
	5		210801	"	"	"	"	-----	"	"	"	"	"	
★ 504-E52-130T /263-N	3		210795	210574	210445	201230C	210370	201265B	201127	210364	210251	210255	211358	DCX27 #11
	4		210796	"	"	"	"	"	202295	" #22	"	"	"	
★ 512-E52-131M /353-W	2	2	210807	210575	210445	205253	210373	201265B	202295	210368	210252	210724	211360	DCX27 #14
	2	3	210808	"	"	"	210503	"	"	" #34	"	"	"	
	2	4	210809	"	"	"	210374	"	"	"	"	"	"	
	2	5	210810	"	"	"	"	"	"	"	"	"	"	
★ 514-E52-131M /353-W	2	2	210807	210575	210445	205253	210373	201265B	202295	210365	210252	210724	211360	DCX27 #11
	2	3	210808	"	"	"	210503	"	"	" #24	"	"	"	
	2	4	210809	"	"	"	210374	"	"	"	"	"	"	
	2	5	210810	"	"	"	"	"	"	"	"	"	"	
★ 514-E52-131MP1 /514-E52-131MP2 /353-W	2	3	210808	210575	210445	211873-TA	211875-TA	-----	202295	210365	210252	210724	211360	DCX27 #11
	2	4	210809	"	"	"	"	-----	"	" #24	"	"	"	
★ 514-E52-132M /363-W	2	2	210803	210574	210445	201230C	210373	201265B	202295	210365	210252	210724	211360	DCX27 #11
	2	3	210804	"	"	"	210503	"	"	" #24	"	"	"	
	2	4	210805	"	"	"	210374	"	"	"	"	"	"	
	2	5	210806	"	"	"	"	"	"	"	"	"	"	

-152-

Copyright © 2011 by Brother International Corporation

Model	Presser foot uncurler	Lower looper
E52-121	211600	210356
121T	"	212215
130P1,P2	-----	210356
130T	210584	212215
131P1,P2	-----	210356

Lower looper (M-line machines) 212644

**COMMON GAUGE PARTS**  
 201121A Upper knife  
 210356 Lower looper  
 210584 Presser foot uncurler

# E52 GAUGE PARTS LIST (2)

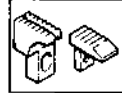


MACHINE TYPE /SPEC.	GAUGE		NEEDLE PLATE	MAIN FEED COMPLETE	DIFF. FEED DOG	PRESSER FOOT			LOWER KNIFE	UPPER LOOPER	NEEDLE GUARD		NEEDLE HOLDER	NEEDLE
	NG	SW				BODY	FINGER	FAB.GRD			(FRONT)	(REAR)		
514-E52-133M /363-N	2	2	210803	210574	210445	201230C	210373	201265B	202295	210365	210252	210724	211360	DCX27 #11
	2	3	210804	"	"	"	210503	"	"	" #24	"	"	"	
	2	4	210805	"	"	"	210374	"	"	"	"	"	"	
	2	5	210806	"	"	"	"	"	"	"	"	"	"	
514-E52-133MZ /363-N	2	2	210803	210574	210445	201230C	210373	201265B	202295	210365	210252	210724	211360	DCX27 #11
	2	3	210804	"	"	"	210503	"	"	" #24	"	"	"	
	2	4	210805	"	"	"	210374	"	"	"	"	"	"	
	2	5	210806	"	"	"	"	"	"	"	"	"	"	
504-E52-134 /233-W		3	210786	210697	210443	202799	210370	201265B	202295	210365	210251	210255	211358	DCX27 #14
		4	210787	"	"	"	210371	"	"	" #24	"	"	"	
		5	210788	"	"	"	"	"	"	"	"	"	"	
		6	210789	"	"	"	210372	"	"	"	"	"	"	
512-E52-135M /373-W	2	3	210825	210575	210447	202799	210503	201265B	201127	210368	210252	210724	211360	DCX27 #14
	2	4	210826	"	"	"	210374	"	202295	" #34	"	"	"	
	2	5	210827	"	"	"	"	"	"	"	"	"	"	
	2.5	2.5	210828	"	"	"	210375	"	201127	"	210253	"	211361	
	2.5	3.5	210829	"	"	"	"	"	202295	"	210254	"	211362	
	3	3	210831	"	"	"	"	"	"	"	"	"	"	
504-E52-136 /253-W		3	211257	211263	210445	205252	210370	201265B	201127	210364	210251	210255	211358	DCX27 #11
		4	211258	"	"	"	210371	"	202295	" #22	"	"	"	
		5	211259	"	"	"	"	"	"	"	"	"	"	
		6	211260	"	"	"	210372	"	"	"	"	"	"	
514-E52-137M /323-N	2	2	210905	210569	210442	201230C	210373	201265B	202295	210365	210252	210724	211360	DCX27 #11
	2	3	210906	"	"	"	210503	"	"	" #24	"	"	"	
	2	4	210907	"	"	"	210374	"	"	"	"	"	"	
514-E52-140M /385-W	2	3	210817	210576	210448	201230C	210503	201265B	201127	210729	210252	210724	211360	DCX27 #14
	2	4	210818	"	"	"	210374	"	202295	" #30	"	"	"	
	2	5	210819	"	"	"	"	"	"	"	"	"	"	
	2.5	2.5	210820	"	"	"	210375	"	201127	210730	210253	"	211361	
	2.5	3.5	210821	"	"	"	"	"	202295	" #32	"	"	"	
504-E52-141 /463-W		3	210795	210574	210445	201230C	210370	201265B	201127	211719	210251	210255	211358	DCX27 #11
		4	210796	"	"	"	210371	"	202295	" #38	"	"	"	
		5	210797	"	"	"	"	"	"	"	"	"	"	
		6	210798	"	"	"	210372	"	"	"	"	"	"	
512-E52-142 /463-W	2	2	210803	210574	210445	201230C	210373	201265B	202295	211844	210252	210724	211360	DCX27 #11
	2	3	210804	"	"	"	210503	"	"	" #42	"	"	"	
	2	4	210805	"	"	"	210374	"	"	"	"	"	"	
	2	5	210806	"	"	"	"	"	"	"	"	"	"	
514-E52-142 /463-W	2	2	210803	210574	210445	201230C	210373	201265B	202295	211719	210252	210724	211360	DCX27 #11
	2	3	210804	"	"	"	210503	"	"	" #38	"	"	"	

Lower looper (M-line machines) 212644

**COMMON GAUGE PARTS**  
 201121A Upper knife  
 210356 Lower looper  
 210584 Presser foot uncurler

# E52 GAUGE PARTS LIST (3)

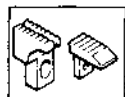


MACHINE TYPE /SPEC.	GAUGE NG SW	NEEDLE PLATE	MAIN FEED COMPLETE	DIFF. FEED DOG	PRESSER FOOT			LOWER KNIFE	UPPER LOOPER	NEEDLE GUARD		NEEDLE HOLDER	NEEDLE
					BODY	FINGER	FAB. GRD			(FRONT)	(REAR)		
505-E52-210 505-E52-210C /223-N	2	210782	210569	210442	201152E	201155C	-----	202295	210364	210251	210255	211358	DCX27 #11
	3	210783	"	"	"	"	-----	"	" #22	"	"	"	
	4	210784	"	"	"	"	-----	"	"	"	"	"	
	5	210785	"	"	"	"	-----	"	"	"	"	"	
503-E52-211	2	210782	210569	210442	201152E	201155C	-----	202295	210512	210251	210255	211358	DCX27
	3	210783	"	"	"	"	-----	"	" #21	"	"	"	
	4	210784	"	"	"	"	-----	"	"	"	"	"	
	5	210785	"	"	"	"	-----	"	"	"	"	"	
★ 505-E52-212 /223-N	2	210782	210569	210442	211991	211993	211994	202295	210364	210251	210255	211358	DCX27 #11
	3	210783	"	"	"	"	"	"	" #22	"	"	"	
	4	210784	"	"	"	"	"	"	"	"	"	"	
	5	210785	"	"	"	"	"	"	"	"	"	"	
503-E52-220 /233-W	3	210786	210568	210443	202799	210370	201265B	202295	210513	210251	210255	211358	DCX27 #14
	4	210787	"	"	"	210371	"	"	" #23	"	"	"	
	5	210788	"	"	"	"	"	"	"	"	"	"	
	6	210789	"	"	"	210372	"	"	"	"	"	"	
★ 504-E52-221 /365-W	3	210795	210576	210446	201230C	210370	201265B	201127	210365	210251	210255	211358	DCX27 #18
	4	210796	"	"	"	210371	"	202295	" #24	"	"	"	
	5	210797	"	"	"	"	"	"	"	"	"	"	
	6	210798	"	"	"	210372	"	"	"	"	"	"	
★ 503-E52-222 /233-	5	211424	211425	210443	303718	210371	-----	202295	210513 #23	210251	210255	211358	DCX27 #14
★ 504-E52-222 /233-	5	211424	211425	210443	303718	210371	-----	202295	210365 #24	210251	210255	211358	DCX27 #14
★ 503-E52-223 /203-W	5	211766	211773	-----	211768	211772	-----	211661	210513	210251	210255	211358	DCX27 #14
	6	211767	"	-----	"	"	-----	"	" #23	"	"	"	
503-E52-225A /393-	5	302205-50	302206-16	302208-16	302209	210371A	-----	202295	210514 #25	210251	210255	211358	DCX27 #14
504-E52-225A /393-	5	302205-50	302206-16	302208-16	302209	210371A	-----	202295	210367 #28	210251	210255	211358	DCX27 #14
503-E52-226 /343-	5	301974	301723	210443	301724	210371	301725	202295	210515 #27	210251	210255	211358	DCX27 #11
504-E52-226 /343-	5	301974	301723	210443	301724	210371	301725	202295	210366 #26	210251	210255	211358	DCX27 #11
504-E52-231 /223-N	1.5	210934	211290	210442	201230C	205525	201265B	202295	210364 #22	210251	210255	211358	DCX27 #11

- ★ For E52-212, the presser foot uncurler is #211600.
- For E52-212, the presser foot uncurler is #211600.
- For E52-222, the presser foot uncurler is not fitted.
- For E52-223, the presser foot uncurler is not fitted and the upper knife is #211662.

**COMMON GAUGE PARTS**  
 201121A Upper knife  
 210356 Lower looper  
 210584 Presser foot uncurler

# E52 GAUGE PARTS LIST (4)



MACHINE TYPE /SPEC.	GAUGE		NEEDLE PLATE	MAIN FEED COMPLETE	DIFF. FEED DOG	PRESSER FOOT			LOWER KNIFE	UPPER LOOPER	NEEDLE GUARD		NEEDLE HOLDER	NEEDLE
	NG	SW				BODY	FINGER	FAB. GRD			(FRONT)	(REAR)		
504-E52-242 /253-W	3		210799	210996	210959	205135	-----	-----	201127	210364	210251	210255	211358	DCX27
	4		210800	"	"	"	-----	-----	202295	" #22	"	"	"	#11
	5		210801	"	"	205136	-----	-----	"	"	"	"	"	"
	6		210802	"	"	"	-----	-----	"	"	"	"	"	"
504-E52-242 /263-W	3		210795	210997	210959	205135	-----	-----	201127	210364	210251	210255	211358	DCX27
	4		210796	"	"	"	-----	-----	202295	" #22	"	"	"	#11
	5		210797	"	"	205136	-----	-----	"	"	"	"	"	"
	6		210798	"	"	"	-----	-----	"	"	"	"	"	"
504-E52-242P1 504-E52-242P2 /253-W			210801	210996	210959	208782	-----	-----	202295	210364 #22	210251	210255	211358	DCX27 #11
512-E52-243M /353-W	2	2	210807	210996	210959	205135	-----	-----	202295	211507	210252	210724	211360	DCX27
	2	3	210808	"	"	205136	-----	-----	"	" #36	"	"	"	#11
	2	4	210809	"	"	"	-----	-----	"	"	"	"	"	"
	2	5	210810	"	"	"	-----	-----	"	"	"	"	"	"
512-E52-243M /363-W	2	2	210803	210997	210959	205135	-----	-----	202295	211507	210252	210724	211360	DCX27
	2	3	210804	"	"	205136	-----	-----	"	" #36	"	"	"	#11
	2	4	210805	"	"	"	-----	-----	"	"	"	"	"	"
	2	5	210806	"	"	"	-----	-----	"	"	"	"	"	"
514-E52-243M /353-W	2	2	210807	210996	210959	205135	-----	-----	202295	210365	210252	210724	211360	DCX27
	2	3	210808	"	"	205136	-----	-----	"	" #24	"	"	"	#11
	2	4	210809	"	"	"	-----	-----	"	"	"	"	"	"
	2	5	210810	"	"	"	-----	-----	"	"	"	"	"	"
514-E52-243M /363-W	2	2	210803	210997	210959	205135	-----	-----	202295	210365	210252	210724	211360	DCX27
	2	3	210804	"	"	205136	-----	-----	"	" #24	"	"	"	#11
	2	4	210805	"	"	"	-----	-----	"	"	"	"	"	"
	2	5	210806	"	"	"	-----	-----	"	"	"	"	"	"
514-E52-243MP1 514-E52-243MP2 /353-W	2	3	210808	210996	210959	208782	-----	-----	202295	210365	210252	210724	211360	DCX27
	2	4	210809	"	"	"	-----	-----	"	" #24	"	"	"	#11

Lower looper (M-line machines) 212644

### COMMON GAUGE PARTS

- 201121A Upper knife
- 210356 Lower looper
- 210584 Presser foot uncurler

From the library of: Diamond Needle Corp.

# E52 GAUGE PARTS LIST (5)



MACHINE TYPE /SPEC.	GAUGE		NEEDLE PLATE	MAIN FEED COMPLETE	DIFF. FEED DOG	PRESSER FOOT			LOWER KNIFE	UPPER LOOPER	NEEDLE GUARD		NEEDLE HOLDER	NEEDLE
	NG	SW				BODY	FINGER	FAB. GRD			(FRONT)	(REAR)		
514-E52-250M	2	2	210803	210574	210445	208730	208731	-----	202295	210365	210252	210724	211360	DCX27
514-E52-250MC	2	3	210804	"	"	"	"	-----	"	" #24	"	"	"	#11
/363-N	2	4	210805	"	"	"	208732	-----	"	"	"	"	"	
	2	5	210806	"	"	"	"	-----	"	"	"	"	"	
512-E52-252	2	2	210803	211927	211929	211930	210373	211557	202295	211844	210252	210724	211360	DCX27
/463-W	2	3	211804	"	"	"	210503	"	"	" #42	"	"	"	#11
	2	4	211805	"	"	"	210374	"	"	"	"	"	"	
	2	5	211806	"	"	"	"	"	"	"	"	"	"	
	2	2	210803	211927	211929	211930	210373	211557	202295	211720	210252	210724	211360	DCX27
★ 514-E52-252	2	3	210804	"	"	"	210503	"	"	" #40	"	"	"	#11
	2	4	210805	"	"	"	210374	"	"	"	"	"	"	
	2	5	210806	"	"	"	"	"	"	"	"	"	"	
	2	2	210803	211927	211929	211930	210373	211557	202295	211720	210252	210724	211360	DCX27
504-E52-260		5	211820	211827	211822	211825	-----	-----	202295	210365	210251	210255	211358	DCX27
		6	211821	"	"	"	-----	-----	"	" #24	"	"	"	#18
504-E52-261		8	211831	211832	211833	211835	-----	-----	211661	211719	210251	210255	211358	DCX27
/403-W		5	210801	211887-BF	211890-BF	211894-TA	211874-TA	-----	202295	210365	210251	210255	211358	DCX27
504-E52-350P1		5	210801	211887-BF	211890-BF	211894-TA	211874-TA	-----	202295	210365	210251	210255	211358	DCX27
504-E52-350P2										#24				#11
/253-W														
514-E52-351MP1	2	4	210809	211887-BF	211890-BF	211894-TA	211875-TA	-----	202295	210365	210252	210724	211360	DCX27
514-E52-351MP2										#24				#11
/353-W														

-156-

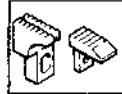
★ Lower looper is #211651.  
Upper knife is #211662 (504-E52-261)  
See page 171.

Lower looper (M-line machines) 212644

**COMMON GAUGE PARTS**  
201121A Upper knife  
210356 Lower looper  
210584 Presser foot uncurler

Library of Diamond Needle Corp.

# E56 GAUGE PARTS LIST (1)



MACHINE TYPE /SPEC.	GAUGE NG SW	NEEDLE PLATE	MAIN FEED COMPLETE	DIFF. FEED DOG	PRESSER FOOT			LOWER KNIFE	UPPER LOOPER	NEEDLE GUARD		NEEDLE
					BODY	FINGER	FAB. GRD			(FRONT)	(REAR)	
504-E56-110 /102-W	2	211279	211291	211285	211349	211350	-----	202295	210358	210078	210081	154GAS #12
	3	211280	"	"	"	"	-----	"	" #2	"	"	
	4	211281	"	"	"	"	-----	"	"	"	"	
504-E56-111 /102-W	2	211276	211292	211285	211349	211350	-----	202295	210358	210078	210081	154GAS #12
	3	211277	"	"	"	"	-----	"	" #2	"	"	
	4	211278	"	"	"	"	-----	"	"	"	"	
514-E56-120 /243-N	1.5 2	210790	210696	210443	201230C	210373	201265B	202295	210360	210079	210082	154GDS #12
	1.5 3	210791	"	"	"	210503	"	"	" #6	"	"	
	2 2	210792	"	"	"	210373	"	"	"	210080	210083	
	2 3	210793	"	"	"	210503	"	"	"	"	"	
	2 4	210794	"	"	"	"	"	"	"	"	"	
★ 504-E56-121 /233-W	3	212241	212249	211974	211987	210370	211557	202295	210359	210078	210081	154GAS #12
	4	212242	"	"	"	210371	"	"	" #4	"	"	
	5	212243	"	"	"	"	"	"	"	"	"	
	6	212244	"	"	"	210372	"	"	"	"	"	
★ 504-E56-121 /243-N	3	212245	212250	211974	211986	210370	211557	202295	210359	210078	210081	154GAS #14
	4	212246	"	"	"	210371	"	"	" #4	"	"	
	5	212247	"	"	"	"	"	"	"	"	"	
	6	212248	"	"	"	210372	"	"	"	"	"	

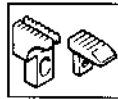
★ The presser foot uncurler is #211600.

### COMMON GAUGE PARTS

- 201121A Upper knife
- 210354 Lower looper
- 210584 Presser foot uncurler

Library of: Diamond Needle Corp

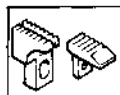
# E56 GAUGE PARTS LIST (2)



MACHINE TYPE /SPEC.	GAUGE		NEEDLE PLATE	MAIN FEED COMPLETE	DIFF. FEED DOG	PRESSER FOOT			LOWER KNIFE	UPPER LOOPER	NEEDLE GUARD		NEEDLE
	NG	SW				BODY	FINGER	FAB. GRD			(FRONT)	(REAR)	
504-E56-130 /253-W	3		210799	210575	210445	205253	210370	201265B	201127	210359	210078	210081	154GAS #14
	4		210800	"	"	"	210371	"	202295	" #4	"	"	
	5		210801	"	"	"	"	"	"	"	"	"	
	6		210802	"	"	"	210372	"	"	"	"	"	
504-E56-130 /263-N	3		210795	210574	210445	201230C	210370	201265B	201127	210359	210078	210081	154GAS #14
	4		210796	"	"	"	210371	"	202295	" #4	"	"	
	5		210797	"	"	"	"	"	"	"	"	"	
	6		210798	"	"	"	210372	"	"	"	"	"	
512-E56-131 /253-W	2	2	210807	210575	210445	205253	210373	201265B	202295	210361	210080	210083	154GDS #12
	2	3	210808	"	"	"	210503	"	"	" #8	"	"	
	2	4	210809	"	"	"	"	"	"	"	"	"	
514-E56-131 /253-W	2	2	210807	210575	210445	205253	210373	201265B	202295	210360	210080	210083	154GDS #12
	2	3	210808	"	"	"	210503	"	"	" #6	"	"	
	2	4	210809	"	"	"	"	"	"	"	"	"	
514-E56-132 /263-W	2	2	210803	210574	210445	201230C	210373	201265B	202295	210360	210080	210083	154GDS #12
	2	3	210804	"	"	"	210503	"	"	" #6	"	"	
	2	4	210805	"	"	"	"	"	"	"	"	"	
514-E56-133 /263-N	2	2	210803	210574	210445	201230C	210373	201265B	202295	210360	210080	210083	154GDS #12
	2	3	210804	"	"	"	210503	"	"	" #6	"	"	
	2	4	210805	"	"	"	"	"	"	"	"	"	
504-E56-134 /233-W	3		210786	210697	210443	202799	210370	201265B	202295	210359	210078	210081	154GAS #12
	4		210787	"	"	"	210371	"	"	" #4	"	"	
	5		210788	"	"	"	"	"	"	"	"	"	
	6		210789	"	"	"	210372	"	"	"	"	"	
504-E56-136 /253-W	3		211257	211263	210445	205252	210370	201265B	201127	210359	210078	210081	154GAS #12
	4		211258	"	"	"	210371	"	202295	" #4	"	"	
	5		211259	"	"	"	"	"	"	"	"	"	
	6		211260	"	"	"	210372	"	"	"	"	"	

**COMMON GAUGE PARTS**  
 201121A Upper knife  
 210354 Lower looper  
 210584 Presser foot uncurler

# E56 GAUGE PARTS LIST (3)



MACHINE TYPE /SPEC.	GAUGE NG SW	NEEDLE PLATE	MAIN FEED COMPLETE	DIFF. FEED DOG	PRESSER FOOT			LOWER KNIFE	UPPER LOOPER	NEEDLE GUARD		NEEDLE
					BODY	FINGER	FAB. GRD			(FRONT)	(REAR)	
505-E56-210 /223-N	2	210782	210569	210442	201152E	201155C	-----	202295	210359	210078	210081	154GAS
	3	210783	"	"	"	"	-----	"	" #4	"	"	#12
	4	210784	"	"	"	"	-----	"	"	"	"	
	5	210785	"	"	"	"	-----	"	"	"	"	
503-E56-211 /223-N	2	210782	210569	210442	201152E	201155C	-----	202295	210363	210078	210081	154GAS
	3	210783	"	"	"	"	-----	"	" #3	"	"	#12
	4	210784	"	"	"	"	-----	"	"	"	"	
	5	210785	"	"	"	"	-----	"	"	"	"	
503-E56-220 /233-W	3	210786	210568	210443	202799	210370	201265B	202295	210363	210078	210081	154GAS
	4	210787	"	"	"	210371	"	"	" #3	"	"	#12
	5	210788	"	"	"	"	"	"	"	"	"	
	6	210789	"	"	"	210372	"	"	"	"	"	
503-E56-223 /203-W	5	211766	211773	-----	211769	211772	211770	211661	210363	210078	210081	154GAS
	6	211767	"	-----	"	"	"	"	" #3	"	"	#12
503-E56-226 /243-	5	301974	301723	210443	301724	210371	301725	202295	210363	210078	210081	154GAS
503-E56-225 /293-	5	301718	301719	301722	301724	210371	301725	202295	210363	210078	210081	154GAS
503-E56-230 /133-W	3	210760	210697	210443	202799	210761	201265B	210762	210362	210078	210081	154GAS
									#1			#18
503-E56-230 /233-W	3	210760	210697	210443	202799	210761	201265B	210762	210362	210078	210081	154GAS
									#1			#18
504-E56-231 /123-N	1.5	210934	211290	210442	201230C	205525	201265B	202295	210358	210078	210081	154GAS
									#2			#12
503-E56-231 /123-N	1.5	210934	211290	210442	201230C	205525	201265B	202295	210363	210078	210081	154GAS
									#3			#12
504-E56-232 /100-W	1.5	211282	211286	211289	202786	205525	-----	201127	210358	210078	210081	154GAS
									#2			#12
504-E56-233 /102-W	1.5	211282	211283	211285	202786	205525	-----	201127	210358	210078	210081	154GAS
									#2			#12
505-E56-234 /204-N	3	212274	211602	211604	211606	212273	-----	202295	210359	210078	210081	154GAS
	4	211601	"	"	"	211607	-----	"	" #4	"	"	#18

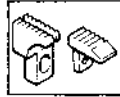
★  
—159—

★For E56-232, the presser foot uncurler is not fitted.  
 For E56-223, the presser foot uncurler is #211600.  
 For E56-234, the presser foot uncurler is #211608.

**COMMON GAUGE PARTS**  
 201121A Upper knife  
 210354 Lower looper  
 210584 Presser foot uncurler



# E56 GAUGE PARTS LIST (4)



MACHINE TYPE /SPEC.	GAUGE		NEEDLE PLATE	MAIN FEED COMPLETE	DIFF. FEED DOG	PRESSER FOOT			LOWER KNIFE	UPPER LOOPER	NEEDLE GUARD		NEEDLE
	NG	SW				BODY	FINGER	FAB. GRID			(FRONT)	(REAR)	
504-E56-242 /253-W	3		210799	210996	210959	205135	-----	-----	201127	210359	210078	210081	154GAS #12
	4		210800	"	"	"	-----	-----	202295	" #4	"	"	
	5		210801	"	"	205136	-----	-----	"	"	"	"	
	6		210802	"	"	"	-----	-----	"	"	"	"	
504-E56-242 /263-W	3		210795	210997	210959	205135	-----	-----	201127	210359	210078	210081	154GAS #12
	4		210796	"	"	"	-----	-----	202295	" #4	"	"	
	5		210797	"	"	205136	-----	-----	"	"	"	"	
	6		210798	"	"	"	-----	-----	"	"	"	"	
512-E56-243 /253-W	2	2	210807	210996	210959	205135	-----	-----	202295	210361	210080	210083	154GDS #12
	2	3	210808	"	"	205136	-----	-----	"	" #8	"	"	
	2	4	210809	"	"	"	-----	-----	"	"	"	"	
512-E56-243 /263-W	2	2	210803	210997	210959	205135	-----	-----	202295	210361	210080	210083	154GDS #12
	2	3	210804	"	"	205136	-----	-----	"	" #8	"	"	
	2	4	210805	"	"	"	-----	-----	"	"	"	"	
514-E56-243 /253-W	2	2	210807	210996	210959	205135	-----	-----	202295	210360	210080	210083	154GDS #12
	2	3	210808	"	"	205136	-----	-----	"	" #6	"	"	
	2	4	210809	"	"	"	-----	-----	"	"	"	"	
514-E56-243 /263-W	2	2	210803	210997	210959	205135	-----	-----	202295	210360	210080	210083	154GDS #12
	2	3	210804	"	"	205136	-----	-----	"	" #6	"	"	
	2	4	210805	"	"	"	-----	-----	"	"	"	"	
521-E56-270 /100-N	0.8	1.5	211551	211539	211542	211448	211449	211557	202295	210358	210079	210082	154GFS #11
	0.8	2.4	211552	"	"	"	"	"	"	" #2	"	"	
	0.8	3.2	211553	"	"	"	211558	"	"	"	"	"	
	1.2	2	211554	"	"	"	211449	"	"	"	"	"	
505-E56-271 /100-N		1.6	211549	211539	211542	211448	211555	211557	202295	210358	210078	210081	154GAS #11
		2.4	211550	"	"	"	"	"	"	" #2	"	"	
521-E56-272 /202-N	0.8	1.5	211546	211535-BF	211538-BF	211631	211632	211557	202295	210360	210079	210082	154GFS #11
	1.2	2	211547	"	"	"	"	"	"	" #6	"	"	
	1.2	3.6	211548	"	"	"	211633	"	"	"	"	"	

★ For these machines, the presser foot uncurler is #211600.  
 For E56-270 and -272, the lower spreader is #211559.

**COMMON GAUGE PARTS**  
 201121A Upper knife  
 210354 Lower looper  
 210584 Presser foot uncurler

## NEEDLE SIZE AND UPPER LOOPER/SPREADER

Use Upper Loper/Spreader according to the needle size and stitch type as shown.

## NEEDLE SIZE REFERENCE

### E56

Stitch type	Needle size	Standard lift	Low lift
		Part No.	Part No.
503	9-18	210363 (#3)	210362 (#1)
504	"	210359 (#4)	210358 (#2)
505	"	"	"
512	"	210361 (#8)	—
514	9-12	210360 (#6)	210358 (#2)
	13-18	"	—
521	9-12	210360 (#6)	210358 (#2)
	13-18	"	—

Japan	U.S.A.	Germany
9	025	65
10	027	70
11	029	75
12	032	80
13		85
14	036	90
15		95
16	040	100
17	042	105
18	044	110
19	048	120
20	049	125
21		130

### E32

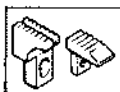


Stitch type	Needle size	Standard lift	High lift	Extra-high lift
		Part No.	Part No.	Part No.
515	9-12	210512 (#21)	210515 (#27)	211845 (#29)
	13-16	210513 (#23)	210514 (#25)	"
	17-21	—	210513 (#23)	"
516	9-12	210364 (#22)	210366 (#26)	211719 (#38)
	13-16	210365 (#24)	210367 (#28)	"
	17-21	—	210365 (#24)	"

### E52

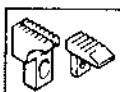


Stitch type	Needle size	Standard lift	High lift	Extra-high lift
		Part No.	Part No.	Part No.
503	9-12	210512 (#21)	210515 (#27)	—
	13-16	210513 (#23)	210514 (#25)	—
	17-21	—	210513 (#23)	—
504 505	9-12	210364 (#22)	210366 (#26)	211719 (#38)
	13-16	210365 (#24)	210367 (#28)	"
	17-21	—	210365 (#24)	"
512	9-12	—	211507 (#36)	211844 (#42)
	13-16	—	210368 (#34)	"
514 (NG=2mm)	9-12	—	210365 (#24)	211719 (#38) ←
	13-16	—	210729 (#30)	—
	17-21	—	—	—
514 (NG=2.5mm)	9-12	—	210729 (#30)	—
	13-16	—	210730 (#32)	—
	17-21	—	—	—

For woolen yarn.  
211720 (#40)

# COMPONENT PARTS LIST FOR MAIN FEED DOG COMPLETE

		mm		mm
210568	210694	1.6	210449	1.6
210569	210438	1.6	204674	1.6
210569-BF	210438-BF	1.6	204674	1.6
210570	210438	1.6	208095	1.6
210571	210695	2.5	210449	1.6
210572	210439	2.5	204674	1.6
210573	210439	2.5	208095	1.6
210574	210440	1.6	204674	1.6
210574-BF	210440-BF	1.6	204674	1.6
210575	210440	1.6	208095	1.6
210576	210441	2.5	204674	1.6
210576-BF	210441-BF	2.5	204674	1.6
210577	210441	2.5	208095	1.6
210578	210486	1.0	204425	1.0
210579	210487	1.6	208060	1.6
210580	210488	1.0	210522	1.0
210581	210489	1.6	210502	1.6
210581-SH	210489-SH	1.6	210502	1.6
210582	210490	2.5	210502	1.6
210696	210694	1.6	204674	1.6
210696-BF	210694-BF	1.6	204674	1.6
210697	210694	1.6	208095	1.6
210697-BF	210694-BF	1.6	208095	1.6
210698	210695	2.5	204674	1.6
210699	210695	2.5	208095	1.6
210892	210887	1.25	210919	1.25
210893	210888	1.25	210891	1.25
210996	210958	1.6	208095	1.6
210997	210958	1.6	204674	1.6
211000	211006	1.6	210502	1.6
211001	211007	2.5	210502	1.6
211002	211008	1.6	210502	1.6
211003	210956	1.6	210502	1.6
211004	211009	2.5	210502	1.6
211005	211010	2.5	210502	1.6
211263	211261	1.6	208095	1.6
211263-BF	211261-BF	1.6	208095	1.6
211283	211284	1.25	211288	1.0
211286	211287	---	211288	1.0
211290	210438	1.6	208912	1.6
211290-BF	210438-BF	1.6	208912	1.6
211291	211284	1.25	211293	1.25
211291-BF	211284-BF	1.25	211293	1.25
211292	211284	1.25	204674	1.6
211292-BF	211284-BF	1.25	204674	1.6
211425	210694	1.6	211426	1.6
211535	211536	1.25	211537	1.25
211535-BF	211536-BF	1.25	211537	1.25
211539	211540	---	211541	---

Screw 5492

		mm		mm
211602	211603	2.0	211605	1.6
211887-BF	211888-BF	1.6	211889-BF	1.6
211927	211928	1.6	204674	1.6
211927-BF	211928-BF	1.6	204674	1.6
211968-BF	211970-BF	1.6	211972	1.6
211969-BF	211971-BF	1.6	211972	1.6
212065	212066	1.6	212067	1.6
212095-BF	210440-BF	1.6	212096-BF	1.6
212249	212251	1.6	208095	1.6
212249-BF	212251-BF	1.6	208095	1.6
212250	212251	1.6	204674	1.6
212250-BF	212251-BF	1.6	204674	1.6
212272	211284	1.25	212264	1.6
301379	210440	1.6	204677	1.6
301379-BF	210440-BF	1.6	204677	1.6
301719	301720	1.6	301721	1.6

Screw 5492

# E SERIES MACHINE CLASSIFICATION



Machine model	
E32	Ultra-high speed, straight needle, safety stitch machine.
E52	Ultra-high speed, straight needle overedger.
E56	Ultra-high speed, curved needle overedger.

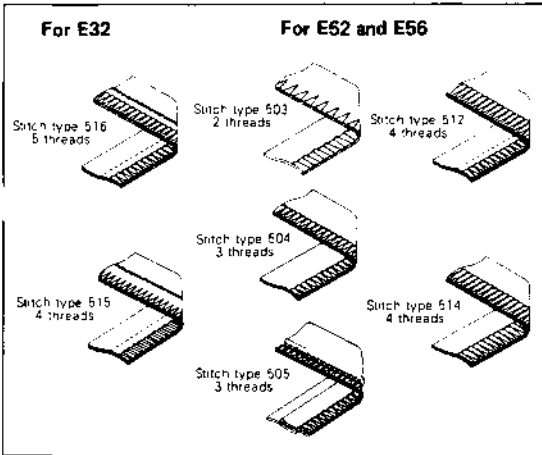
Seam type	
Code No.	Meaning
1	Plain seaming of E52 and E56
2	Other than plain seaming of E52 and E56.
4	Plain seaming of E32.
5	Other than plain seaming of E32.

Material thickness if D1 shows 'plain seaming'.	
Code No.	Meaning (examples)
1	Fine (panty-hose, P.P. shirt, blouse, handkerchief, etc.)
2 and 3	Light to medium (knit underwear, knit dress shirt, swim suit/trunks, sport shirts, etc.)
4	Heavy (sweater, double knit slacks, blanket, working wear, etc.)
5	Extra heavy (jeans, bulky sweaters, quilted coat, etc.)

Type of operation if D1 shows 'other than plain seaming'.	
Code No.	Meaning
1	Blindstitch hemming
2	Serging
3	Turn up/down hemming. Roll up/down hemming.
4	Shirring.
5	Attaching tape.
6	Attaching zipper.
7	Toe casing
8	
9	Miscellaneous.

**Sequence code**

Sequence numbers are used here as new machine becomes available  
Example  
Plain seaming on light to medium weight material



**D<sub>1</sub>** denotes the special specifications of sewing within the same machine type. Case by case, **D<sub>1</sub>** is assigned.

E52-250C	C indicates diff. feed ratio 1:3
E52-210C	
E32-...P1	P1 machines do not have the piping binder.
E52-...P2	P2 machines have the piping binder.
E32-410A	Keen curved seaming available.
E32-410B	A is the machine with the ordinary presser arm.
E32-420A	B is the machine with the floating presser arm.
E32-420B	



Sewing capacity	
Sewing capacity means 'Sewing gauge' x 'Foot lift capacity'.	
Code No.	Meaning
1	4x3mm (low lift)
2	5x5mm (standard lift)
3	6x6mm (high lift)
4	7x7mm (extra high lift)

Needle plate type		
The needle plate type is coded by the number and the width of feed rows, and the chaining-land.		
Chaining-land: No		
Chaining-land: Yes		
Code No.	Meaning	
	No. of rows	★
0	1-row or plain feed	—
1	2N (2-row Narrow)	Yes
2	2N (2-row Narrow)	No
3	2W (2-row Wide)	Yes
4	2W (2-row Wide)	No
5	3N (3-row Narrow)	Yes
6	3N (3-row Narrow)	No
7	3W (3-row Wide)	Yes
8	3W (3-row Wide)	No
9	Special	—

Feed dog tooth pitch	
Feed dog tooth pitch	
Code No.	Meaning
0	Rubber coated or special
1	1.0mm tooth pitch
2	1.25mm tooth pitch
3	1.6mm tooth pitch
4	2.0mm tooth pitch
5	2.5mm tooth pitch
6	3.0mm tooth pitch

**Sewing gauge**

The sewing gauge is "the seam width" for 1-needle machine, and "the needle gauge x the seam width" for 2-needle machine.

A: Seam width  
B: Needle gauge

Note: In case of E52 and E56, the type of Cloth Plate is also shown here.  
N: Narrow cloth plate  
W: Wide cloth plate

Example  
353-W3  
→ 3mm seam width  
→ Wide cloth plate

**EXAMPLE**

515-E32-430-233-3X3

Seam width is 3x3mm.  
Tooth pitch is 1.6mm.  
Needle plate type is 2-row wide with chaining-land.  
Standard lift. (Sewing capacity is standard.)  
Plain seaming on medium heavy materials.  
Machine model is E32.  
Stitch type 515.

# E SERIES MACHINE CLASSIFICATION



Machine model	
E32	Ultra-high speed, straight needle, safety stitch machine.
E52	Ultra-high speed, straight needle overedger.
E56	Ultra-high speed, curved needle overedger.

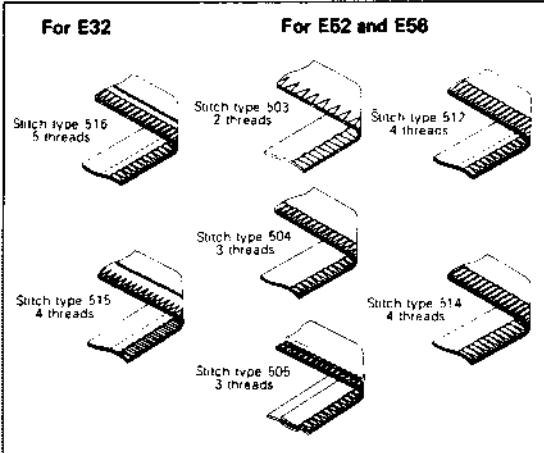
Seam type	
Code No.	Meaning
1	Plain seaming of E52 and E56
2	Other than plain seaming of E52 and E56.
4	Plain seaming of E32.
5	Other than plain seaming of E32.

Material thickness if D1 shows 'plain seaming'.	
Code No.	Meaning (examples)
1	Fine (panty-hose, P.P. shirt, blouse, handkerchief, etc.)
2 and 3	Light to medium (knit underwear, knit dress shirt, swim suit/trunks, sport shirts, etc.)
4	Heavy (sweater, double knit slacks, blanket, working wear, etc.)
5	Extra heavy (jeans, bulky sweaters, quilted coat, etc.)

Type of operation if D1 shows 'other than plain seaming'.	
Code No.	Meaning
1	Blindstitch hemming
2	Serging
3	Turn up/down hemming Roll up/down hemming.
4	Shirring.
5	Attaching tape.
6	Attaching zipper.
7	Toe closing.
8	
9	Miscellaneous.

**Sequence code**

Sequence numbers are used here as new machine becomes available  
Example  
Plain seaming on light to medium weight material



**D<sub>1</sub>** denotes the special specifications of sewing within the same machine type. Case by case. **D<sub>4</sub>** is assigned

E52-250C	C indicates diff. feed ratio 1:3.
E52-210C	Piping machine.
E32 ... P1	P1 machines do not have the piping binder.
E52 ... P2	P2 machines have the piping binder.
E32-410A	Keen curved seaming available.
E32-410B	A is the machine with the ordinary presser arm.
E32-420A	B is the machine with the floating presser arm.
E32-420B	

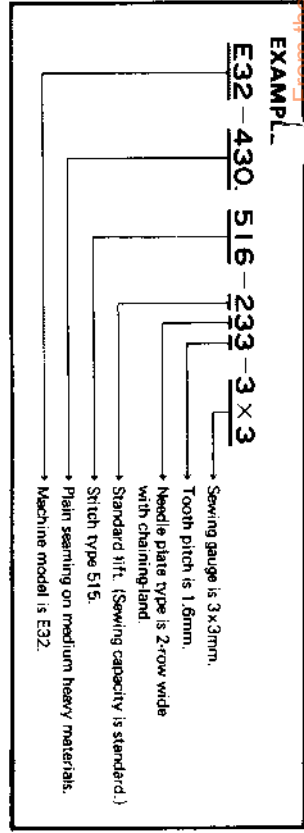


Sewing capacity	
Sewing capacity means 'Sewing gauge' x 'Foot lift capacity'.	
Code No.	Meaning
1	4x3mm (low lift)
2	5x5mm (standard lift)
3	6x6mm (high lift)
4	7x7mm (extra high lift)

Needle plate type		
The needle plate type is coded by the number and the width of feed rows, and the chaining-land.		
Chaining-land; No		
Chaining-land; Yes		
Code No.	Meaning	
	No. of rows	★
0	1-row or plain feed	—
1	2N (2-row Narrow)	Yes
2	2N (2-row Narrow)	No
3	2W (2-row Wide)	Yes
4	2W (2-row Wide)	No
5	3N (3-row Narrow)	Yes
6	3N (3-row Narrow)	No
7	3W (3-row Wide)	Yes
8	3W (3-row Wide)	No
9	Special	—

Feed dog tooth pitch	
Feed dog tooth pitch	
Code No.	Meaning
0	Rubber coated or special
1	1.0mm tooth pitch
2	1.25mm tooth pitch
3	1.6mm tooth pitch
4	2.0mm tooth pitch
5	2.5mm tooth pitch
6	3.0mm tooth pitch

Sewing gauge	
The sewing gauge is "the seam width" for 1-needle machine, and "the needle gauge x the seam width" for 2-needle machine.	
Note: In case of E52 and E56, the type of Cloth Plate is also shown here. N: Narrow cloth plate W: Wide cloth plate	
Example 353-W3 → 3mm seam width → Wide cloth plate	



From the library of: Diamond Needle Corp

PART NO.	PAGE REF.	PART NO.	PAGE REF.	PART NO.	PAGE REF.	PART NO.	PAGE REF.	PART NO.	PAGE REF.
123	77 26	410	59 19	1998-2	21 7	4803	73 25	5117	13 16
127	77 13	413	49 26	2022-4	23 34	4805	53 14	5117	13 20
128	77 14	413	49 35	2133-1	11 8	4818	49 23	5117	15 14
131	77 18	413	49 48	2133-1	31 17	4818	57 15	5117	15 18
132	77 3	413	57 18	2133-1	35 14	4818	59 18	5117	15 20
135A	77 4	413	59 21	2193	19 39	4904	75 12	5117	17 16
152	77 16	413	59 37	2193	23 42	4905	75 16	5117	17 18
153	77 17	467	53 18	2193	29 5	4908	49 25	5117	17 20
178	77 5	468	53 20	2193	33 32	4908	57 17	5117	29 38
179	77 15	905	77 1	2193	37 45	4908	59 20	5117	29 44
189	53 12	1174	5 18	2193	47 6	4911	53 10	5117	33 35
200	77 12	1174	63 4	2193	59 4	4913	73 34	5117	35 23
233-FA	73 20	1174	63 14	2193	59 30	5002	13 35	5117	39 10
245	77 20	1175-2	23 51	2193	65 4	5002	41 19	5117	39 56
272	77 11	1175-2	25 5	2285	35 2	5003	37 33	5118	29 52
282	77 6	1175-2	31 29	2430	55 9	5003	37 37	5118	39 17
283	77 7	1175-2	31 41	2430	55 32	5010	7 27	5118	43 12
284	77 8	1175-3	7 19	2902	19 46	5012	5 13	5118	47 21
285	77 9	1175-3	13 18	2902	23 55	5012	7 59	5118	47 53
293	73 23	1175-3	15 16	2902	31 48	5012	21 30	5133	39 58
322	77 10	1175-3	15 47	2902	33 6	5022	11 15	5138B	39 52
326	77 2	1175-3	17 57	2905	5 31	5029	9 6	5142	47 17
337	53 8	1186	67 20	2905	7 31	5029	9 8	5143A	53 34
338	53 15	1196	17 32	2905	7 36	5029	35 32	5157	37 15
339	53 16	1196	59 3	2905	7 53	5029	47 35	5157	55 8
339	53 21	1196	59 29	2905	17 14	5029	47 44	5157	55 31
340	53 17	1196	65 3	2905	19 13	5030	37 9	5157	65 29
341	53 11	1202	7 47	2905	19 18	5030	37 26	5163	3 9
343	53 19	1202	15 49	2905	29 48	5050	9 33	5184	43 4
344	53 9	1202	41 4	2905	39 50	5053	7 57	5198	7 4
369-FD	73	1202	41 9	2905	53 7	5053	43 8	5205	31 46
370-FD	73	1202	43 18	2905	55 10	5057	55 6	5210	49 10
371-FD	73	1202	49 13	2905	55 33	5057	55 29	5210	49 29
372-FD	73	1202	49 32	2906	43 11	5059	11 30	5210	49 42
373-FD	73 4	1202	49 45	2913-1	3 23	5060	7 6	5223	37 6
374-FD	73 6	1206	17 59	2918	7 23	5060	11 38	5231	31 39
375	73 27	1206	47 27	2921	19 20	5060	17 37	5232	35 42
375-FD	73 5	1206	47 29	2921	19 23	5060	31 4	5276	35 9
376	73 32	1206	55 13	2921	35 21	5060	33 22	5282	21 25
377-FD	73 26	1206	55 36	2921	37 11	5060	39 4	5284	21 2
378-FD	73 28	1216	7 16	2921	37 28	5077	27 37	5292	7 14
379-FD	73 29	1216	7 51	2921	37 49	5077	49 8	5292	7 43
380	73 9	1216	27 35	2921	49 6	5078	3 3	5292	11 19
381-FA	73 12	1216	53 4	2921	51 4	5082A	13 8	5292	11 25
382-FA	73 13	1227	65 33	2921	51 7	5082A	15 8	5292	13 27
383-FA	73 14	1227	67 22	2922	25 7	5082A	17 8	5292	13 29
384	73 17	1229	13 23	2922	37 35	5082A	19 8	5292	15 29
385-FD	73 1	1229	15 23	2922	63 36	5082A	23 8	5292	15 31
386	73 36	1229	69 29	3044	5 17	5082A	47 49	5292	21 10
387-FD	73 3	1229	71 41	3044	17 29	5082A	53 31	5292	21 32
388-FD	73 2	1231	19 29	3044	27 11	5082A	61 29	5292	27 30
392	77 19	1231	23 29	3044	43 6	5082A	67 8	5292	29 19
403	49 15	1231	37 24	3044	53 35	5082A	69 24	5292	29 59
403	49 34	1234	27 41	3091	5 19	5082A	71 12	5292	35 12
403	49 47	1234	47 19	3091	7 28	5082A	71 34	5292	35 19
403	57 7	1234	47 56	3091	37 41	5084	25 14	5292	47 41
403	57 29	1333	55 39	4009-1	5 5	5084	25 25	5292	77 24
403	57 30	1333	57 3	4009-1	7 8	5084	27 14	5299	55 21
403	59 10	1333	57 25	4009-1	21 19	5084	27 17	5304	11 21
403	59 36	1333	61 15	4009-1	23 24	5084	29 34	5316	29 26
404	49 17	1333	63 38	4009-1	27 44	5084	31 19	5316	47 10
404	57 9	1333	69 7	4009-1	31 15	5088	33 8	5316	47 15
404	59 12	1333	69 28	4009-1	33 26	5088	43 16	5317	31 22
405	49 21	1333	71 4	4009-1	35 25	5088	55 3	5328	7 55
405	57 13	1333	71 21	4012	49 18	5088	55 26	5328	9 11
405	59 16	1333	71 26	4012	57 10	5089	37 20	5328	13 33
406	49 16	1435	5 26	4012	59 13	5091	29 56	5328	15 35
406	57 8	1435	47 40	4012	73 18	5091	41 17	5328	17 50
406	59 11	1448	9 4	4012	73 21	5094	33 29	5328	25 13
407	49 19	1457	11 10	4012	73 24	5094	47 12	5328	37 7
407	57 11	1457-1	47 34	4013	73 7	5095	7 2	5328	37 18
407	59 14	1458	39 8	4013	73 30	5095	39 11	5328	47 31
408	49 20	1458	39 25	4014	73 15	5095	39 23	5328	49 5
408	57 12	1459	5 27	4513	75 5	5104	47 25	5328	51 2
408	59 15	1459	9 3	4750	73 8	5104	47 38	5332	3 24
409	49 22	1459	13 51	4750	73 31	5117	7 10	5336	51 16
409	57 14	1459	15 45	4803	73 11	5117	7 25	5336	63 19
409	59 17	1459	17 55	4803	73 16	5117	7 34	5336	65 12
410	49 24	1732	29 46	4803	73 19	5117	9 28	5346	31 12
410	57 16	1817-2A	59 46	4803	73 22	5117	13 14	5346	31 51

PART NO.	PAGE REF.	PART NO.	PAGE REF.	PART NO.	PAGE REF.	PART NO.	PAGE REF.	PART NO.	PAGE REF.
5353	25 26	5519	23 13	201121A	154	202295	153	204683	149
5357	3 7	5519	23 18	201121A	155	202295	154	204737	9 10
5357	13 46	5519	23 21	201121A	156	202295	155	204754	29 33
5357	15 40	5522	9 35	201121A	157	202295	156	204756	29 35
5357	17 48	5523	9 32	201121A	158	202295	157	204757	29 36
5376	11 34	5526	27 7	201121A	159	202295	158	204789	9 17
5376	17 40	5538	37 40	201121A	160	202295	159	204789	23 35
5376	19 26	5539	37 42	201127	152	202295	160	204828	3 26
5376	23 26	5546	19 31	201127	153	202340	33 33	204828	3 27
5376	33 14	5546	23 31	201127	154	202433	27 27	204873	9 13
5408	21 24	5554	35 40	201127	155	202451	35 20	204881	9 9
5409	37 3	5590	31 34	201127	158	202476-1	41 5	204888	47 24
5409	37 43	5598	7 12	201127	159	202476-3	41 7	205015	27 23
5426	35 10	5600	61 21	201127	160	202476-4	41 6	205088	27 19
5427	29 18	9029	75 2	201152E	154	202516-HD	7 21	205135	155
5434	3 22	9106	75 13	201152E	159	202522	29 27	205135	160
5437	29 12	137108	27 9	201155C	154	202526	3 36	205136	155
5441	23 16	137142	47 13	201155C	159	202527A	148	205136	160
5453	27 39	137142	55 11	201156	37 19	202577	11 23	205252	153
5453	63 2	137142	55 34	201185	29 49	202588	49 27	205252	158
5453	63 12	137906	5 9	201185	33 28	202588	49 49	205253	152
5455	27 28	137906	7 29	201185	37 46	202588	59 6	205253	158
5455	31 9	137906	7 46	201185	59 5	202588	59 32	205361	55 5
5457	11 32	137906	27 42	201185	59 31	202645	35 29	205418	31 20
5457	17 42	137906	47 57	201185	65 5	202647A	35 34	205456	55 18
5457	19 34	137906	63 5	201191	29 50	202786	159	205457	55 15
5457	23 37	137906	63 15	201191	43 5	202799	153	205466	75 1
5457	25 9	167066	43 17	201211B	55 14	202799	154	205467	75 9
5457	27 21	167066	43 19	201230C	152	202799	158	205468	75 14
5457	29 24	167066	49 14	201230C	153	202799	159	205469	75 15
5457	29 29	167066	49 33	201230C	154	202849	13 11	205470	75 11
5457	31 6	167066	49 46	201230C	157	202849	15 11	205473	75 3
5457	31 11	167066	55 4	201230C	158	202849	17 11	205525	154
5457	33 18	167066	55 27	201230C	159	202849	19 9	205525	159
5457	35 7	167079	61 33	201233A	43 21	202849	23 9	205635	39 24
5458	3 17	192130	5 15	201239A	17 28	202859	23 20	205678	55 16
5458	5 33	198192	3 14	201252	73 10	202860	19 22	205679	55 17
5458	7 49	200098	47 7	201265B	152	202875	5 12	205688	7 26
5458	27 2	200136	39 18	201265B	153	202875	19 16	205722	7 17
5459	3 33	200136	39 26	201265B	154	202875	19 21	205737	17 33
5459	27 6	200136	39 30	201265B	157	202875	19 24	205763	39 29
5459	41 10	200144	39 33	201265B	158	202875	23 14	205764	75 7
5459	41 26	200152	39 19	201265B	159	202875	23 19	205765	75 8
5461	9 22	200152	39 27	201293A	39 9	202875	23 22	205834	55 20
5461	11 36	200152	39 31	201295	39 6	202875	37 16	205835	55 19
5461	25 21	200152	39 34	201395	35 30	202875	49 7	206115	27 4
5461	29 7	200555	7 42	201439A	19 10	204006	3 39	206128	31 43
5461	29 21	201002	3 11	201439A	23 10	204010	9 16	206129	31 44
5461	33 20	201002	3 25	201635	11 37	204052A	29 32	206180	17 43
5476	73 35	201031A	17 25	201635	17 36	204084	29 14	206180	33 12
5480	5 29	201037	13 4	201635	31 3	204091	47 48	206180	49 39
5481	35 4	201037	15 4	201635	33 21	204107	23 41	206180	53 41
5482	3 18	201037	17 4	202045	39 59	204107	53 23	206180	57 22
5483	5 16	201037	53 27	202058	5 6	204114	31 37	206180	59 26
5484-HC	13 31	201037	67 10	202058	61 20	204115	31 26	206180	61 4
5484-HC	15 33	201037	67 16	202174	3 15	204128A	31 18	206180	61 9
5484-HC	17 46	201056	11 9	202174	11 26	204129A	31 16	206180	61 14
5485	11 3	201056	27 13	202174	21 16	204146	11 35	206180	63 10
5485	17 23	201068	19 4	202175	11 12	204184	39 7	206180	63 22
5486	29 40	201068	67 4	202175	11 20	204185	29 3	206225	47 33
5487	23 49	201068	67 14	202175	21 11	204185	39 12	206233	39 13
5487	25 2	201086	13 10	202175	21 27	204270	41 11	206233	77 21
5488	5 23	201086	15 10	202176	11 24	204270	41 22	206336	75 6
5489	31 27	201086	17 10	202176	25 15	204274	21 12	206337	75 10
5492	13 37	201086	23 4	202199	39 20	204274	21 13	206337	75 17
5492	13 39	201086	53 33	202199	39 28	204293	9 34	206431	39 16
5492	13 41	201086	59 42	202199	39 35	204293	25 3	207924	35 43
5492	31 33	201086	61 25	202199	41 21	204293	25 10	208009	7 41
5494	27 32	201086	67 12	202273	17 27	204319	9 12	208028	25 23
5495	27 25	201086	67 18	202286	19 32	204439A	31 21	208029	25 24
5497	9 14	201086	69 20	202286	19 40	204460	150	208168	31 49
5501	13 43	201086	71 30	202286	23 32	204466	41 23	208173	3 28
5501	13 48	201089	23 17	202286	23 43	204502A	150	208173	21 33
5501	15 37	201089	61 32	202286	43 13	204505A	150	208194	25 11
5501	15 42	201121A	148	202287A	39 53	204520	9 15	208195	25 12
5501	17 52	201121A	149	202295	148	204657	19 11	208196	25 16
5504	65 36	201121A	150	202295	149	204657	21 31	208235	51 30
5504	67 25	201121A	151	202295	150	204657	23 11	208235	63 33
5513	47 23	201121A	152	202295	151	204667	43 20	208235	65 25
5519	19 15	201121A	153	202295	152	204683	37 14	208245	5 25

From the library of: Diamond Needle Corp

PART NO.	PAGE REF.	PART NO.	PAGE REF.	PART NO.	PAGE REF.	PART NO.	PAGE REF.	PART NO.	PAGE REF.
208245	31 38	208687	39 5	210069	33 10	210141	29 23	210231	61 1
208411	29 8	208730	156	210070	17 21	210143	31 13	210231	65 6
208415	29 9	208731	156	210071	17 22	210144	31 5	210232	11 16
208447	13 2	208732	156	210078	157	210145	31 7	210233	11 39
208447	15 2	208735	63 37	210078	158	210146	31 8	210234	11 28
208447	17 2	208747	7 18	210078	159	210147	31 24	210235	11 11
208447	19 2	208774	35 28	210078	160	210148	31 25	210236	11 14
208447	23 2	208782	155	210079	157	210152	31 10	210237	11 18
208447	47 45	208913	37 4	210079	160	210153	31 36	210238	11 13
208447	53 25	208953	67 19	210080	157	210154	31 23	210239	11 1
208447	59 40	208953	69 4	210080	158	210155	31 35	210240	11 2
208447	61 23	208953	69 14	210080	160	210156	31 42	210241	11 4
208447	67 2	208953	71 42	210081	157	210157	31 45	210242	11 7
208447	69 18	208955	149	210081	158	210158	31 47	210243	11 17
208447	71 6	208958	37 13	210081	159	210159	31 52	210244	11 22
208447	71 28	208960	51 13	210081	160	210160	31 50	210251	152
208448	13 3	208994	53 1	210082	157	210161	29 25	210251	153
208448	15 3	208997	53 3	210082	160	210162	29 28	210251	154
208448	17 3	208998	151	210083	157	210163	29 30	210251	155
208448	19 3	209084	3 31	210083	158	210164	29 31	210251	156
208448	23 3	209200	53 2	210083	160	210166	29 37	210252	152
208448	47 46	209202	151	210084	15 46	210167	29 39	210252	153
208448	53 26	209204	151	210084	17 56	210168	29 42	210252	155
208448	59 41	209255	151	210085	17 31	210170	29 43	210252	156
208448	61 24	209314	37 48	210086	17 19	210171	29 47	210253	153
208448	67 3	210001-HD	3 2	210087	17 15	210172	29 54	210254	153
208448	69 19	210002	3 4	210088	17 17	210173	33 13	210260	13 22
208448	71 7	210003	3 29	210089	17 13	210174	33 17	210260	15 22
208448	71 29	210005	3 32	210090	13 12	210175	33 19	210264	13 13
208449	13 7	210006	5 28	210090	15 12	210176	33 2	210264	15 13
208449	15 7	210007	5 30	210090	17 12	210178	33 5	210267	49 3
208449	17 7	210008	3 16	210090	71 13	210179	33 25	210267	49 38
208449	19 7	210009	3 19	210091	19 25	210180	33 27	210267	51 11
208449	23 7	210010	3 35	210091	23 25	210183	33 34	210267	51 18
208449	53 30	210020	5 14	210092	19 30	210184	33 31	210267	53 40
208449	59 45	210021	5 22	210092	23 30	210188	39 2	210267	57 21
208449	61 28	210022	5 8	210093	19 27	210190	39 39	210267	59 25
208449	67 7	210022	5 20	210093	23 27	210191	39 46	210267	61 3
208449	69 23	210023	5 24	210098	19 36	210192	39 47	210267	61 8
208449	71 11	210024	5 11	210099	19 37	210193	39 45	210267	61 13
208449	71 33	210025	5 7	210100	19 38	210194	39 48	210267	63 9
208450	13 5	210025	5 21	210100	31 14	210198	39 37	210267	63 21
208450	15 5	210026-FB	5 4	210101	19 42	210199	39 38	210267	65 8
208450	17 5	210027-FB	5 2	210102	19 41	210200	39 14	210267	65 14
208450	19 5	210028-FD	7 9	210102	31 2	210201-FD	39 15	210268	33 16
208450	23 5	210029-HB	7 20	210103	19 43	210202	39 41	210269	33 1
208450	53 28	210030	7 22	210104	21 1	210204	39 44	210270	7 37
208450	59 43	210031	7 24	210105	21 9	210205	39 43	210272	148
208450	61 26	210032	7 32	210106	21 4	210207	39 22	210272	149
208450	67 5	210033	7 33	210107	21 5	210208	39 36	210272	150
208450	69 21	210034-HD	7 1	210107	51 22	210211	39 51	210273	148
208450	71 9	210035	7 3	210107	63 26	210212	39 57	210273	149
208450	71 31	210036	7 5	210107	65 18	210213	41 15	210273	150
208500	148	210037	7 7	210108	21 22	210214	41 2	210273	151
208500	149	210041	7 39	210109	21 23	210214	41 16	210274	149
208501	148	210042	7 40	210110	21 14	210215	41 18	210274	150
208501	149	210043	7 44	210111	21 15	210218-HD	3 1	210274	151
208502	149	210044	7 52	210112	21 17	210219-HD	3 8	210275	13 40
208503	148	210045	7 50	210113	21 18	210220	3 10	210275	148
208504	148	210046	7 48	210114	21 28	210221	7 35	210275	149
208507	150	210047	7 45	210115	21 29	210223	7 15	210275	150
208508	150	210048	9 2	210117	5 32	210224	7 30	210275	151
208508	151	210055	9 29	210118	21 26	210225	7 38	210276	13 38
208509	150	210056	9 25	210122	23 38	210228	9 1	210276	149
208509	151	210057	9 26	210123	23 40	210228-PA	51 8	210277	13 34
208525	37 17	210057	11 6	210124	23 45	210228-PB	51 12	210278	13 32
208527	37 5	210058	9 30	210125	23 44	210228-PB	51 27	210278	148
208528	37 2	210062	9 5	210126	23 48	210228-PB	63 32	210278	149
208531	37 8	210063	17 39	210127	29 15	210228-PB	65 24	210278	150
208531	148	210064	17 41	210128	29 22	210229	11 33	210278	151
208531	149	210065	69 2	210128	71 2	210230	11 31	210279	13 36
208531	151	210065	69 9	210128	71 19	210230	61 6	210279	148
208532	150	210065	69 12	210128	71 24	210230	61 11	210279	149
208532	151	210066	17 38	210129	29 16	210230	63 7	210279	150
208537	35 26	210067	17 44	210130	29 17	210231	49 1	210279	151
208554	49 4	210067	33 23	210136	29 6	210231	49 36	210281	23 39
208579	33 3	210068	17 35	210137	29 1	210231	51 9	210282	29 20
208598	35 33	210068	33 11	210138	29 4	210231	53 38	210283	27 24
208599	35 31	210069	11 27	210139	29 2	210231	57 19	210284	27 22
208649	151	210069	17 34	210140	29 13	210231	59 23	210285	27 26



PART NO.	PAGE REF.	PART NO.	PAGE REF.	PART NO.	PAGE REF.	PART NO.	PAGE REF.	PART NO.	PAGE REF.
210287	27 20	210356	155	210443	157	210575	152	210731	61 7
210288	25 20	210356	156	210445	152	210575	153	210731	61 12
210289	25 22	210357	25	210445	158	210575	158	210731	63 8
210290	27 12	210357	148	210445	152	210575	152	210731	63 20
210291	27 15	210357	149	210445	153	210575	158	210731	65 7
210292	27 18	210357	150	210445	156	210576	154	210731	65 13
210293	27 16	210357	151	210445	158	210576	153	210732	69 3
210294	25 8	210357	149	210446	154	210576	154	210732	69 10
210296	25 17	210358	157	210447	153	210578	148	210732	69 13
210297	25 18	210358	159	210448	153	210579	148	210733	19 33
210298	25 1	210358	160	210448	154	210579	151	210734	23 36
210299	25 6	210359	157	210491	148	210581	149	210736	23 33
210300	27 29	210359	158	210492	148	210581	151	210744	39 32
210302	27 34	210359	159	210492	151	210581-SH	149	210748	21 3
210303	27 36	210359	160	210494	149	210582	149	210749	13 21
210304	27 31	210360	157	210494	151	210583	3 34	210749	15 21
210306	27 40	210360	158	210494-SH	149	210584	152	210749	61 19
210307	27 33	210360	160	210495	149	210584	153	210750	13 24
210307	35 41	210361	158	210498	149	210584	154	210750	15 24
210308	27 38	210361	160	210501	149	210584	155	210751	13 25
210309	27 1	210362	159	210503	152	210584	156	210751	15 25
210310	27 3	210363	159	210503	153	210584	157	210753	69 1
210311	27 43	210364	148	210503	156	210584	158	210753	69 8
210313	13 19	210364	150	210503	157	210584	159	210753	69 11
210314	33 15	210364	151	210503	158	210584	160	210756	65 35
210315	33 4	210364	152	210510	39 49	210585	19 28	210756	67 24
210316	33 24	210364	153	210511	11 29	210585	23 28	210758	65 37
210317	41 14	210364	154	210512	148	210585	55 38	210758	67 26
210319	13 6	210364	155	210512	149	210586	23 46	210759	65 38
210319	15 6	210365	149	210512	150	210586	25 19	210759	67 27
210319	17 6	210365	150	210512	154	210679	3 38	210760	154
210319	19 6	210365	151	210513	149	210680	43 2	210760	159
210319	23 6	210365	152	210513	150	210681	43 3	210761	154
210319	53 29	210365	153	210513	154	210682	43 7	210761	159
210319	59 44	210365	154	210514	150	210683	43 9	210762	154
210319	61 27	210365	155	210514	151	210684	43 10	210762	159
210319	67 6	210365	156	210514	154	210685	43 1	210766	41 24
210319	69 22	210366	154	210515	154	210686	43 14	210782	154
210319	71 10	210367	150	210516	17 30	210687	43 15	210782	159
210319	71 32	210367	151	210516	157	210689	55 7	210783	154
210321	35 16	210367	154	210516	158	210689	55 30	210783	159
210322	35 17	210368	152	210516	160	210690	55 2	210784	154
210323	35 18	210368	153	210517	35 22	210690	55 25	210784	159
210324	35 37	210370	152	210520	39 54	210691	55 1	210785	154
210325	35 24	210370	153	210521	39 55	210692	55 12	210785	159
210326	35 15	210370	154	210523	75 4	210696	157	210786	153
210328	35 38	210370	157	210525	3 6	210697	153	210786	154
210329	35 6	210370	158	210528	3 13	210697	154	210786	158
210330	35 8	210370	159	210529	13 1	210697	158	210786	159
210335	35 5	210371	149	210529	15 1	210697	159	210787	153
210336	35 35	210371	152	210529	17 1	210700	29 45	210787	154
210337	35 27	210371	153	210529	53 24	210701	39 21	210787	158
210337	35 36	210371	154	210529	67 9	210721	21 20	210787	159
210338	35 39	210371	157	210529	67 15	210722	13 15	210788	153
210340	37 27	210371	158	210530	13 9	210722	61 17	210788	154
210341	37 10	210371	159	210530	15 9	210724	13 42	210788	158
210343	31 28	210372	149	210530	17 9	210724	15 36	210788	159
210344	19 17	210372	152	210530	23 1	210724	148	210789	153
210345	19 19	210372	153	210530	61 22	210724	149	210789	154
210346	19 45	210372	154	210530	67 1	210724	150	210789	158
210347	23 23	210372	157	210530	67 11	210724	151	210789	159
210348	23 54	210372	158	210530	67 13	210724	152	210790	157
210349	19 12	210372	159	210530	67 17	210724	153	210791	157
210350	19 14	210373	152	210530	69 17	210724	154	210792	157
210351	19 44	210373	153	210530	71 27	210724	155	210793	157
210351	51 26	210373	156	210531	19 1	210724	156	210794	157
210351	63 30	210373	157	210532	29 58	210725	23 47	210795	152
210351	65 22	210373	158	210533	29 57	210727	35 13	210795	153
210353	23 52	210374	152	210534	29 55	210728	35 11	210795	155
210354	157	210374	153	210535	29 53	210729	153	210795	158
210354	158	210374	156	210539	41 25	210730	153	210795	160
210354	159	210375	153	210568	154	210731	19 35	210795A	154
210354	160	210376	153	210568	159	210731	49 2	210796	152
210356	148	210442	153	210569	153	210731	49 37	210796	153
210356	149	210442	154	210569	154	210731	51 10	210796	155
210356	150	210442	159	210569	159	210731	51 17	210796	158
210356	151	210443	153	210574	152	210731	53 39	210796	160
210356	152	210443	154	210574	153	210731	57 20	210796A	154
210356	153	210443	158	210574	156	210731	59 24	210797	152
210356	154	210443	159	210574	158	210731	61 2	210797	153

From the library of: Diamond Needle Corp

PART NO.	PAGE REF.	PART NO.	PAGE REF.	PART NO.	PAGE REF.	PART NO.	PAGE REF.	PART NO.	PAGE REF.
210797	155	210837	148	210954	47 3	211276	157	211453	71 38
210797	158	210838	148	210955	47 36	211277	157	211453	160
210797	160	210839	148	210957	150	211278	157	211507	151
210797A	154	210840	148	210959	155	211279	157	211507	155
210798	152	210841	148	210959	160	211280	157	211509	37 30
210798	153	210841	149	210961	47 55	211281	157	211510	37 31
210798	155	210842	148	210962	49 9	211282	159	211511	37 32
210798	158	210842	149	210962	49 28	211283	159	211512	37 34
210798	160	210843	148	210962	49 41	211285	159	211513	37 36
210798A	154	210843	149	210964	150	211285	157	211514	37 38
210799	152	210844	148	210965	150	211286	159	211515	37 39
210799	155	210844	149	210966	150	211289	159	211516	37 44
210799	158	210845	148	210967	150	211290	154	211517	37 47
210799	160	210845	149	210968	150	211290	159	211517	51 29
210800	152	210846	148	210969	150	211291	157	211525	9 20
210800	155	210846	149	210970	150	211292	157	211526	9 23
210800	158	210847	148	210971	150	211300	5 10	211527	9 19
210800	160	210847	149	210972	150	211301	29 41	211528	9 27
210801	152	210848	148	210973	150	211314	29 51	211529	9 24
210801	155	210848	149	210974	150	211315-ME	41 1	211530	9 21
210801	156	210849	149	210975	150	211316	41 3	211531	39 3
210801	158	210850	149	210976	150	211317	41 8	211532	39 1
210801	160	210851	149	210977	150	211318	41 12	211533	9 18
210802	152	210852	149	210978	150	211319	41 13	211534	69 6
210802	155	210853	149	210979	150	211341	9 7	211534	69 16
210802	158	210854	149	210980	150	211342	3 5	211534	71 40
210802	160	210855	149	210980	151	211345-HD	9 31	211535	160
210803	152	210856	149	210981	150	211348	15 26	211538	160
210803	153	210857	149	210981	151	211349	157	211539	160
210803	155	210858	149	210982	150	211350	157	211542	160
210803	156	210859	149	210982	151	211358	15 27	211546	160
210803	158	210860	149	210983	150	211358	152	211547	160
210803	160	210861	149	210983	151	211358	153	211548	160
210804	152	210862	149	210984	150	211358	154	211549	160
210804	153	210863	149	210984	151	211358	155	211550	160
210804	155	210864	149	210985	150	211358	156	211551	160
210804	156	210865	149	210985	151	211360	152	211552	160
210804	158	210866	149	210986	150	211360	153	211553	160
210804	160	210867	149	210986	151	211360	155	211554	160
210805	152	210868	149	210987	150	211360	156	211555	160
210805	153	210881	5 3	210987	151	211361	153	211556	71 5
210805	155	210883	5 1	210996	155	211362	153	211556	71 22
210805	156	210885	5 34	210996	160	211366	149	211557	152
210805	158	210889	148	210997	155	211369	39 40	211557	156
210805	160	210890	148	210997	160	211371	149	211557	157
210806	152	210892	148	211000	150	211372	149	211557	160
210806	153	210893	148	211001	150	211376	33 9	211558	160
210806	155	210898	13 49	211002	150	211377	53 5	211559	160
210806	156	210898	15 43	211003	150	211379	151	211560	71 16
210807	152	210898	17 53	211004	151	211380	151	211560	71 35
210807	155	210905	153	211005	151	211381	151	211561	71 17
210807	158	210906	153	211011	150	211382	151	211561	71 36
210807	160	210907	153	211012	150	211383	151	211562	71 8
210808	152	210922	13 47	211013	151	211384	151	211563	69 25
210808	155	210922	15 41	211092	47 5	211385	3 12	211563	71 1
210808	158	210922	17 51	211093	47 8	211386	27 5	211563	71 18
210808	160	210923	13 50	211094	47 9	211387	27 10	211563	71 23
210809	152	210923	15 44	211095	47 11	211388	27 8	211568	37 29
210809	155	210923	17 54	211096	47 14	211389	7 54	211569	151
210809	156	210930	13 44	211097	47 16	211390	7 56	211570	151
210809	158	210930	15 38	211098	47 18	211391	23 12	211573	151
210809	160	210933	69 5	211099	47 43	211392	13 45	211574	151
210810	152	210933	69 15	211100	47 1	211392	15 39	211575	151
210810	155	210933	69 27	211101	47 2	211392	17 47	211577	151
210817	153	210933	71 39	211257	153	211395	53 6	211578	151
210818	153	210934	154	211257	158	211398	15 15	211580	53 22
210819	153	210934	159	211258	153	211399	15 19	211581	53 32
210820	153	210935	47 20	211258	158	211399	53 37	211600	152
210821	153	210936	47 22	211259	153	211400	15 17	211600	154
210825	153	210937	47 32	211259	158	211400	53 36	211600	156
210826	153	210938	47 52	211260	153	211401	23 53	211600	157
210827	153	210939	47 54	211260	158	211402	23 15	211600	159
210828	153	210940	47 47	211263	153	211424	154	211600	160
210829	153	210944	47 50	211263	158	211425	154	211601	159
210831	153	210945	47 30	211264	63 1	211448	160	211602	159
210832	153	210946	47 28	211264	63 11	211449	160	211604	159
210833	148	210947	47 26	211265	63 3	211452	71 14	211606	159
210834	148	210948	47 37	211265	63 13	211452	71 37	211607	159
210835	148	210952	47 42	211266	63 6	211452	160	211608	159
210836	148	210953	47 4	211267	63 16	211453	71 15	211609	69 30

From the library of: Diamond Needle Corp

PART NO.	PAGE REF.	PART NO.	PAGE REF.	PART NO.	PAGE REF.	PART NO.	PAGE REF.	PART NO.	PAGE REF.
211613	47 51	211823	65 1	212117	149				
211614	47 39	211824	59 2	212186	11 5				
211631	160	211824	59 28	212188	39 42				
211632	160	211824	65 2	212190	149				
211633	160	211825	156	212212	61 16				
211636	35 1	211827	156	212213	61 18				
211637	35 3	211831	156	212214	61 30				
211639	41 20	211832	156	212215	152				
211649	51 14	211833	156	212216	61 31				
211649	63 17	211835	156	212217	61 34				
211649	65 10	211838	65 27	212241	152				
211650	51 15	211839	65 28	212241	157				
211650	63 18	211844	153	212242	152				
211650	65 11	211844	156	212242	157				
211651	156	211845	149	212243	152				
211652	63 27	211868	65 9	212243	157				
211652	65 19	211868	65 26	212244	152				
211653	51 23	211873-TA	152	212244	157				
211654	51 21	211874-TA	152	212245	152				
211654	63 25	211874-TA	156	212245	157				
211654	65 17	211875-TA	152	212246	152				
211655	51 19	211875-TA	156	212246	157				
211655	63 23	211876	57 1	212247	152				
211655	65 15	211876	57 23	212247	157				
211657	51 28	211877	57 2	212248	152				
211657	63 31	211877	57 24	212248	157				
211657	65 23	211879	57 4	212249	152				
211658	51 24	211879	57 26	212249	157				
211658	63 28	211879	59 7	212250	152				
211658	65 20	211879	59 33	212250	157				
211659	51 25	211880	57 5	212265	55 24				
211659	63 29	211880	57 27	212266	55 28				
211659	65 21	211880	59 8	212267	55 35				
211660	65 31	211880	59 34	212268	55 37				
211661	65 39	211885	49 11	212271-TA	152				
211661	67 28	211885	49 30	212273	159				
211661	154	211885	49 43	212274	159				
211661	156	211886	49 12	212279	3 37				
211661	159	211886	49 31	212327-FD	3 20				
211662	65 32	211886	49 44	212328-FD	3 21				
211662	67 21	211887	156	212543	154				
211662	154	211890	156	212544	154				
211662	156	211894-TA	156	218173	3 30				
211662	159	211898	13 17	300248	65 34				
211702	49 40	211903	51 5	300248	67 23				
211702	61 5	211904	51 6	301715	154				
211702	61 10	211905	51 1	301718	154				
211719	149	211906	51 3	301718	159				
211719	153	211907	148	301719	154				
211719	154	211908	148	301719	159				
211719	156	211909	148	301722	154				
211720	156	211910	148	301722	159				
211766	154	211926	51 20	301723	154				
211766	159	211926	63 24	301723	159				
211767	154	211926	65 16	301724	154				
211767	159	211927	156	301724	159				
211768	154	211929	156	301725	154				
211769	159	211930	156	301725	159				
211770	159	211931	63 35	301974	154				
211772	154	211941	63 34	301974	159				
211772	159	211946	57 6	303067	53 13				
211773	154	211946	57 28	303312A	55 22				
211773	159	211946	59 9	303313	55 23				
211794	65 30	211946	59 35	303718	154				
211802	29 10	211949	59 22	306468-FD	73 33				
211804	7 58	211949	59 38						
211804	29 11	211951	59 39						
211804	156	211958	7 13						
211805	69 26	211959-HD	7 11						
211805	71 3	211974	152						
211805	71 20	211974	157						
211805	71 25	211986	152						
211805	156	211986	157						
211806	156	211987	152						
211808	69 31	211987	157						
211820	156	211991	154						
211821	156	211993	154						
211822	156	211994	154						
211823	59 1	211995	21 21						
211823	59 27	212028	31 1						

# E52 GAUGE PARTS LIST (6)



MACHINE TYPE / SPEC.	GAUGE		NEEDLE PLATE	MAIN FEED COMPLETE	DIFF. FEED DOG	PRESSER FOOT			LOWER KNIFE	UPPER LOOPER	NEEDLE GUARD		NEEDLE HOLDER	NEEDLE
	NG	SW				BODY	FINGER	FAB. GRD			(FRONT)	(REAR)		
<b>514-E52-253 /493-W</b>	2	3	212730-30	212733-16	212735-16	209386	210503	-----	202295	211720	210252	210724	211360	DCX27
	2	4	" -40	"	"	"	210374	-----	"	" #40	"	"	"	#11
	2	5	" -50	"	"	"	"	-----	"	"	"	"	"	"
	2.5	2.5	212731-25	"	"	"	210375	-----	"	"	210253	"	211361	"
	2.5	3.5	" -35	"	"	"	"	-----	"	"	"	"	"	"
	2.5	4.5	" -45	"	"	"	210376	-----	"	"	"	"	"	"
	3	4	212774-40	"	"	"	"	-----	"	"	210254	"	211362	"
3	5	" -50	"	"	"	"	-----	"	"	"	"	"	"	
<b>512-E52-253 /493-W</b>	2	3	212730-30	212733-16	212735-16	209386	210503	-----	202295	211844	210252	210724	211360	DCX27
	2	4	" -40	"	"	"	210374	-----	"	" #42	"	"	"	#11
	2	5	" -50	"	"	"	"	-----	"	"	"	"	"	"
	2.5	2.5	212731-25	"	"	"	210375	-----	"	"	210253	"	211361	"
	2.5	3.5	" -35	"	"	"	"	-----	"	"	"	"	"	"
	2.5	4.5	" -45	"	"	"	210376	-----	"	"	"	"	"	"
	3	4	212774-40	"	"	"	"	-----	"	"	210254	"	211362	"
3	5	" -50	"	"	"	"	-----	"	"	"	"	"	"	
<b>514-E52-253K /493-W</b>	2	3	212730-30	212733-16	212735-16	209386	210503	-----	202295	211720	210252	210724	211360	DCX27
	2	4	" -40	"	"	"	210374	-----	"	" #40	"	"	"	#11
	2	5	" -50	"	"	"	"	-----	"	"	"	"	"	"
	2.5	2.5	212731-25	"	"	"	210375	-----	"	"	210253	"	211361	"
	2.5	3.5	" -35	"	"	"	"	-----	"	"	"	"	"	"
	2.5	4.5	" -45	"	"	"	210376	-----	"	"	"	"	"	"
	3	4	212774-40	"	"	"	"	-----	"	"	210254	"	211362	"
3	5	" -50	"	"	"	"	-----	"	"	"	"	"	"	
<b>512-E52-253K /493-W</b>	2	3	212730-30	212733-16	212735-16	209386	210503	-----	202295	211844	210252	210724	211360	DCX27
	2	4	" -40	"	"	"	210374	-----	"	" #42	"	"	"	#11
	2	5	" -50	"	"	"	"	-----	"	"	"	"	"	"
	2.5	2.5	212731-25	"	"	"	210375	-----	"	"	210253	"	211361	"
	2.5	3.5	" -35	"	"	"	"	-----	"	"	"	"	"	"
	2.5	4.5	" -45	"	"	"	210376	-----	"	"	"	"	"	"
	3	4	212774-40	"	"	"	"	-----	"	"	210254	"	211362	"
3	5	" -50	"	"	"	"	-----	"	"	"	"	"	"	

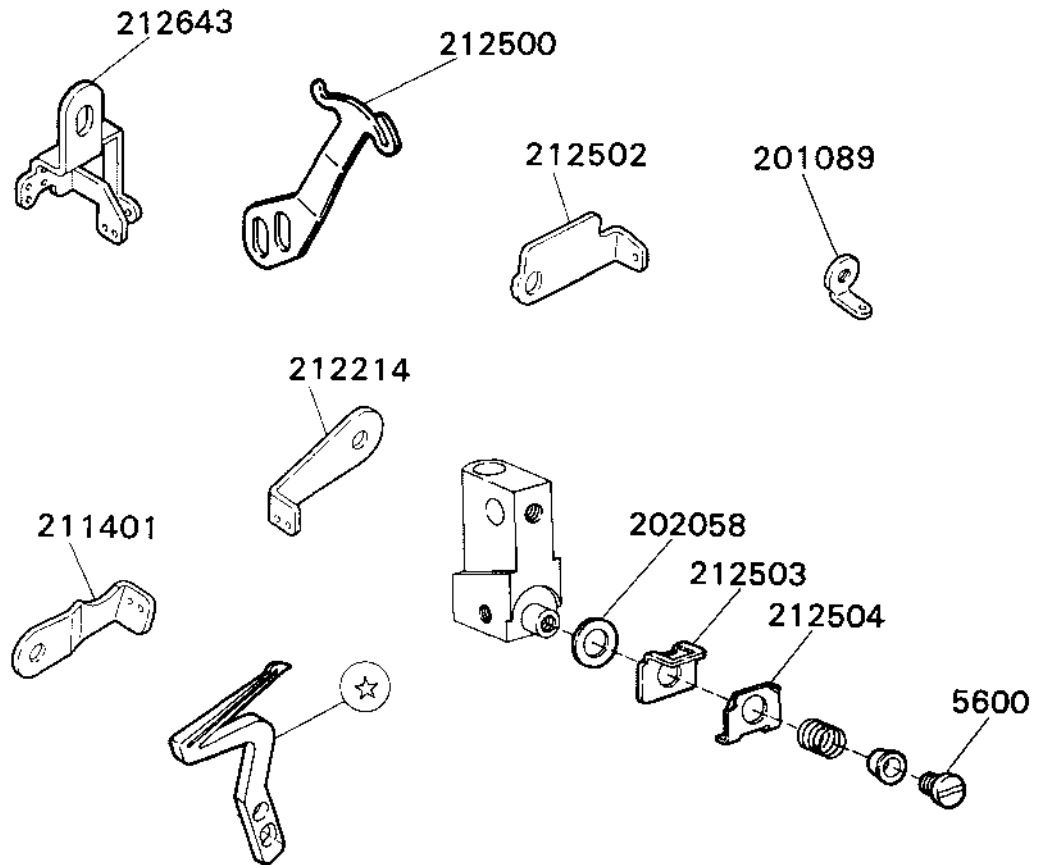
-171-

201121A (514, 512-E52-253) Upper knife  
 211771 (514, 512-E52-253K) "  
 210356 (512-E52-253, 253K) Lower looper  
 211651 (514-E52-253, 253K) "

**COMMON GAUGE PARTS**  
 211600 Presser foot uncurler

From the library of: Diamond Needle Co.

2-needle E52 M-line machines  
manufactured from March, 1984;  
the starting series number #7649832



**PLEASE NOTE:**

☆ This is one of the gauge parts. Please confirm the correct part by the lists on pages 152~156.